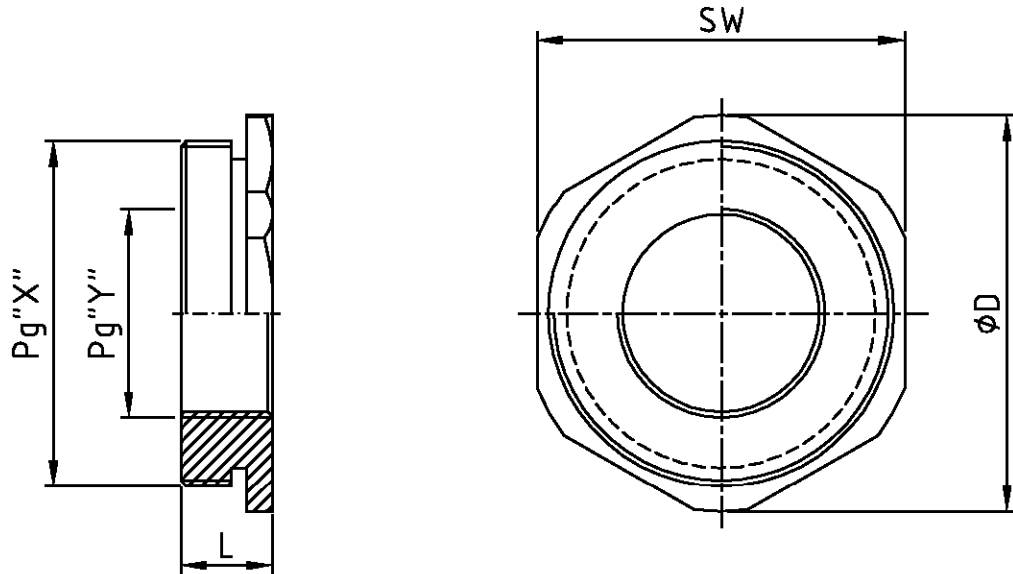


MATED WITH: PASSEND ZU:	LOC A1	DIST -	REVISIONS AENDERUNGEN				DATE	DWN	APVD
			P	LTR	DESCRIPTION BESCHREIBUNG				
PROJEKT NR.:			A2		PN 7-6 Ist OBSOLETE Eg00-1612-03 PN 7-6 will be OBSOLETE	05.05.03	SR	SM	



3 OBSOLETE / UNGÜLTIG

AMP PART NO	DESCRIPTION	MATERIAL	SURFACE	PG "X"	PG "Y"	SW	ØD	L
1-7	REDU 36/21.MS.8	Messing/brass	vernickelt nickel plated	36	21	50	54	12.5
0-7	REDU 29/16.MS.8	Messing/brass	vernickelt nickel plated	29	16	41	43	11.5
9-6	REDU 16/11.MS.8	Messing/brass	vernickelt nickel plated	16	11	24	26	9.5
8-6	REDU 13/9.MS.8	Messing/brass	vernickelt nickel plated	13	09	24	26	9.5
3 7-6	3 REDU 42/29.MS.8	Messing/brass	vernickelt nickel plated	42	29	60	66	14
6-6	REDU 36/29.MS.8	Messing/brass	vernickelt nickel plated	36	29	50	54	12.5
5-6	REDU 29/21.MS.8	Messing/brass	vernickelt nickel plated	29	21	41	43	11.5
4-6	REDU 21/16.MS.8	Messing/brass	vernickelt nickel plated	21	16	32	35.5	10
3-6	REDU 16/13.MS.8	Messing/brass	vernickelt nickel plated	16	13	24	26	9.5
2-6	REDU 13/11.MS.8	Messing/brass	vernickelt nickel plated	13	11	24	26	9.5
0-6	REDU 21/13.MS.8	Messing/brass	vernickelt nickel plated	21	13	32	35.5	10

THIS DRAWING IS UNPUBLISHED. VERTRAULICHE UNVERÖFFENTLICHTE ZEICHNUNG.
 ALL RIGHTS RESERVED. ALLE RECHTE VORBEHALTEN.
 BY AMP INCORPORATED.
 COPYRIGHT 1997

DIMENSIONS: DIMENSIONEN: mm TOLERANCES UNLESS OTHERWISE SPECIFIED: ALLGEMEINTOLERANZEN ISO 8015 ISO 2768 - mH - E DIN 16901 - 140 ANGLES / WINKEL	DWN Schneider 20.08.01	MATERIAL -	FINISH OBERFLAECHE/FARBE -
	CHK Schnurpfeil 20.08.01	AMP HTS Elektrotechnik 53819 Neunkirchen, Germany	
APVD -	PRODUCT SPEC PRODUKTSPEZ. -	NAME REDU reducing 6 angular REDU-Reduzierung 6-Kt	
APPLICATION SPEC VERARBEITUNGSSPEZ. -	WEIGHT GEWICHT -	SIZE A4	RESTRICTED TO NUR FUER -
CUSTOMER DRAWING		CAGE CODE 00779	DRAWING NO ZEICHNUNGS-NR. C=1106062
		MASSTAB 2:1	BLATT 1 OF VON 1
		A2	

X-ON Electronics

Largest Supplier of Electrical and Electronic Components

Click to view similar products for [Headers & Wire Housings](#) category:

Click to view products by [TE Connectivity](#) manufacturer:

Other Similar products are found below :

[95000-104TRLF](#) [10135584-644402LF](#) [DF62W-EP2022PCA](#) [95000-106TRLF](#) [DF62W-2022SCA](#) [48050-002LF](#) [DF62W-EP2022PC](#) [2203348](#)
[DF62W-2022SC](#) [1084018](#) [1029039](#) [1084017](#) [802-10-012-10-002000](#) [1112640](#) [1112639](#) [000-34000](#) [0008550134](#) [0009482033](#) [0009507031](#)
[0009524054](#) [57102-F02-18ULF](#) [57102-S06-03LF](#) [57202-S52-04LF](#) [PCN6-15S-2.5E](#) [0039019024](#) [58102-G61-06LF](#) [582553-1](#) [0009485154](#)
[0009508121](#) [0022285053](#) [0050291907](#) [018731A](#) [LY20-4P-DT1-P1E-BR](#) [02.125.8002.8](#) [60101931](#) [60598-1 \(Cut Strip\)](#) [M1625-3R/100](#) [61062-3](#)
[61082-181009](#) [636-1427](#) [638009-1](#) [641938-9](#) [641991-4](#) [644168-1](#) [644827-2](#) [647662-1](#) [65039-019ELF](#) [65692-001LF](#) [65781-018](#) [65781-047](#)