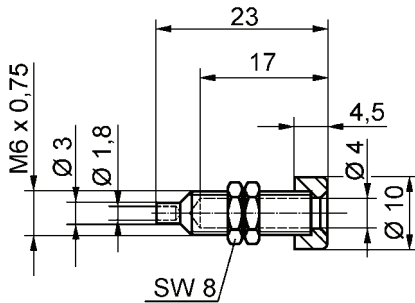


Socket

- fully insulated fitting
- insulated head screwed on
- hole ø 7.5 mm

order no. IBU 401 / .. (colour)
 - contact part material brass
 - contact part **nickel-plated**
 - insulation PA 6 (Polyamid)

colours: see table

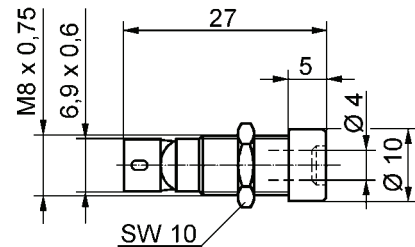


Socket

- insulated head screwed on
- hole ø 6.1 mm

order no. IBU 403 / .. (colour)
 - contact part material brass
 - contact part **nickel-plated**
 - insulation PA 6 (Polyamid)

colours: see table



Socket

- insulated
- hole ø 8 mm

order no. IBU 9213 / .. (colour)
 - contact part material rolled brass sheet
 - contact part **tin-plated**
 - insulation ABS

General information			Technical data				
order no.	max. torque for nuts	colours	terminal	transition resistance	rated voltage	rated current	operating temperature
IBU 401 / .. (colour) contact part nickel-plated	300 Ncm	black, red, blue, yellow, green,white	soldering, solder loop	< 10 mΩ	30 V _{AC} 60 V _{DC}	32 A	- 25 °C ... + 80 °C
IBU 403 / .. (colour) contact part nickel-plated	300 Ncm	black, red, blue, yellow, green,white	soldering, solder loop	< 10 mΩ	30 V _{AC} 60 V _{DC}	32 A	- 25 °C ... + 80 °C
IBU 9213 / .. (colour) contact part tin-plated	100 Ncm	black red	soldering, cable lug	< 10 mΩ	30 V _{AC} 60 V _{DC}	16 A	- 30 °C ... + 90 °C

other types and platings on request

X-ON Electronics

Largest Supplier of Electrical and Electronic Components

Click to view similar products for [Test Plugs & Test Jacks](#) category:

Click to view products by [SCHUTZINGER](#) manufacturer:

Other Similar products are found below :

[579-0400](#) [66000-7](#) [R644543000](#) [R921923000](#) [R921930000](#) [R941344000](#) [R948161000](#) [R999351000](#) [1408-4](#) [1533-1](#) [164-R124R-EX](#) [174-R822B-EX](#) [174-R825B-EX](#) [NYS508-BU](#) [NYS508-O](#) [1680](#) [174-R819B-EX](#) [R644543003](#) [R644543004](#) [R644543020](#) [R644543021](#) [R921926000](#) [R921931000](#) [R921932000](#) [R921934000](#) [R929991000](#) [R929991002](#) [R941460000](#) [R941461000](#) [R941463600](#) [R941920600](#) [R948160000](#) [31B-2-RED](#) [032-0016-023](#) [105-1106-001](#) [108-1000-106](#) [108-2301-621](#) [66001-9](#) [7013](#) [1395080-1](#) [930166100](#) [NYS508-GR](#) [NYS508-V](#) [NYS508-W](#) [NYS508-Y](#) [NYS511-R](#) [BP30-2BR10-B PKG](#) [BP30-10-WT](#) [BP30-2BR-B PKG](#) [BP30Y-1 PKG](#)