

Display Elektronik GmbH

DATA SHEET

LCD MODULE

DEM 480272C TMH-PW-N (A-TOUCH)

4,3“ Colour-TFT with Touch-Panel
with 8-Bit-Interface

Product Specification

Version: 1

09/10/2010

DOCUMENT REVISION HISTORY

Version	DATE	DESCRIPTION	CHANGED BY
0	09.06.2010	First Issue	MH
1	09.10.2010	Corrected Pin3 Description	MH

CONTENTS

1. Functions & Features	2
2. Mechanical specifications	2
3. Block diagram	2
4. Dimensional Outline	3
5. Pin description	4
6. Maximum absolute limit	4
7. Electrical characteristics	5
8. Electro-Optical characteristics	6
9. Timing Characteristics	7
10. Control and Display Instruction	8
11. Precautions for LCD/LCM	11

1. Functions & Features

Display Resolution	: 480 x 272 Dots
LCD Mode	: Normally White, Transmissive
Viewing Direction	: 6 O'clock
Display Color	: 256 Colors
Operation Temperature	: -20 to +70 °C
Storage Temperature	: -30 to +80°C
Power Supply Voltage (V _{DD})	: 3.3 Volt
LED Power Supply	: 3.3 Volt (typ.)
Backlight Color	: White(LED)
LCM Contrast Ratio	: 300:1
LCM Brightness	: 200 nit (typ.)
Touch-Panel	: 4-Wire-Resistive Touch-Panel on Board
RoHS	: Compliant

2. MECHANICAL SPECIFICATIONS

Module Size	: 120.00 x 85.00 x 11.00 mm (max.)
Viewing Area	: 95.04 x 53.86 mm
Pixel Size	: 198 x 198 um

3. BLOCK DIAGRAM

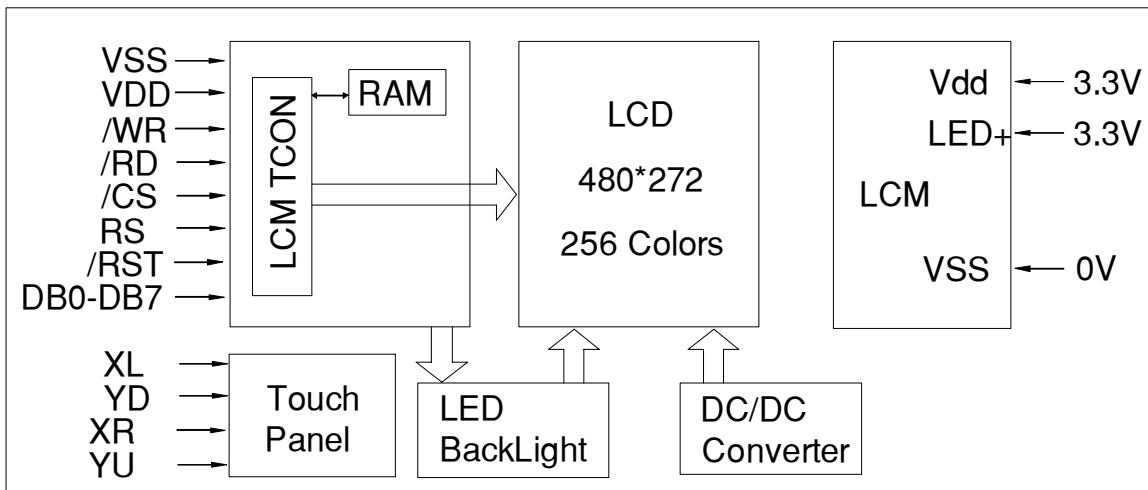
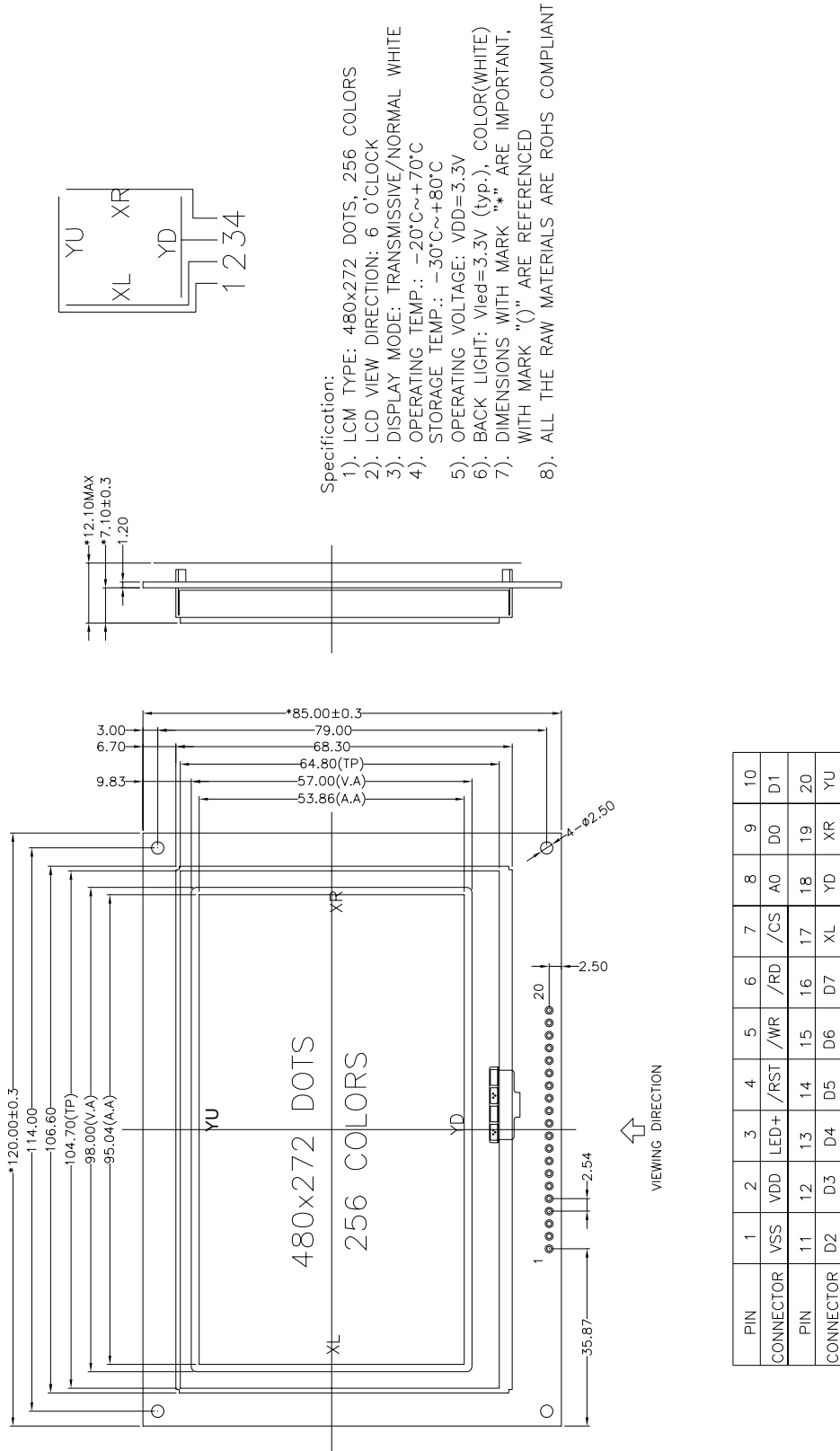


Figure 1. Block diagram

4. DIMENSIONAL OUTLINE



5. PIN DESCRIPTION

No.	Symbol	Function
1	VSS	GND
2	VDD	Logic supply voltage (3.3V)
3	LED+	Power Supply for Backlight (3.3Volt typ.)
4	/RST	Reset signal (L)
5	/WR	Write signal
6	/RD	Read signal
7	/CS	Chip enable signal
8	A0	Register selection (H:Data register, L:Instruction register)
9	D0	Data bus line
10	D1	Data bus line
11	D2	Data bus line
12	D3	Data bus line
13	D4	Data bus line
14	D5	Data bus line
15	D6	Data bus line
16	D7	Data bus line
17	XL	TP
18	YD	TP
19	XR	TP
20	YU	TP

6. MAXIMUM ABSOLUTE LIMIT

Item	Symbol	MIN	MAX	Unit
Supply Voltage for Logic	V _{DD}	-0.3	3.6	V
Input Voltage	V _{in}	-0.3	V _{DD} +0.3	V
Supply Current (LED backlight Off)	I _{DD} (Ta = 25°C)		90	mA
Reverse Voltage for Backlight	V _R (Ta = 25°C)	---	3.6	V
Operating Temperature	T _{op}	-20	70	°C
Storage Temperature	T _{st}	-30	80	°C

7. ELECTRICAL CHARACTERISTICS

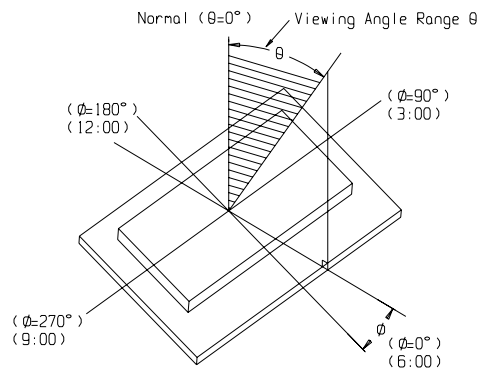
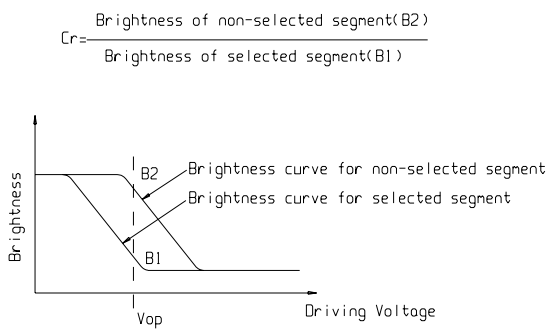
Item	Symbol	Condition	Min	Typ	Max	Unit
Supply Voltage for Logic	V_{DD-VSS}	$T_a = 25^\circ\text{C}$	3.0	3.3	3.6	V
Input High Voltage	V_{IH}	$T_a = 25^\circ\text{C}$	$0.8V_{DD}$	---	V_{DD}	V
Input Low Voltage	V_{IL}	$T_a = 25^\circ\text{C}$	0	---	$0.2V_{DD}$	V
Output High Voltage	V_{OH}	$T_a = 25^\circ\text{C}$	$0.8V_{DD}$	---	V_{DD}	V
Output Low Voltage	V_{OL}		0	---	$0.2V_{DD}$	V
Supply Current (Led Backlight off)	I_{DD}	$T_a = 25^\circ\text{C}$	---	75	--	mA
Supply Current (Led Backlight on)	I_{DD}	$T_a = 25^\circ\text{C}$	---	98	---	mA
Luminous Intensity (With LCD dots off)	IV	$V_{led}=3.3V$	150	200	---	Cd/m^2
LED Backlight Color	White					

Item	Symbol	Condition	Min	Typ	Max	Unit
LED Life time	---	$T_a = 25^\circ\text{C}$ Humidity: 70% below Forward Current: 20mA	20,000	50,000	72,000	Hr

8. ELECTRO-OPTICAL CHARACTERISTICS

(VDD=3.3V, Vled=5.0V, Ta = 25°C)

Item	Symbol	Condition	Min	Typ	Max	Unit
Viewing angle (CR≥10)	θL	Φ=180°(9 o'clock)	45	60	---	degree
	θR	Φ=0°(3 o'clock)	45	60	---	
	θT	Φ=90°(12 o'clock)	35	50	---	
	θB	Φ=270°(6 o'clock)	40	55	---	
Response time	Ton	Normal θ=Φ=0°	---	10	20	ms
	Toff		---	15	25	ms
Contrast ratio	Cr		150	300	---	---
Luminance	L1		150	200		Cd/m2



9. TIMING CHARACTERISTICS

9.1 Interface Timing

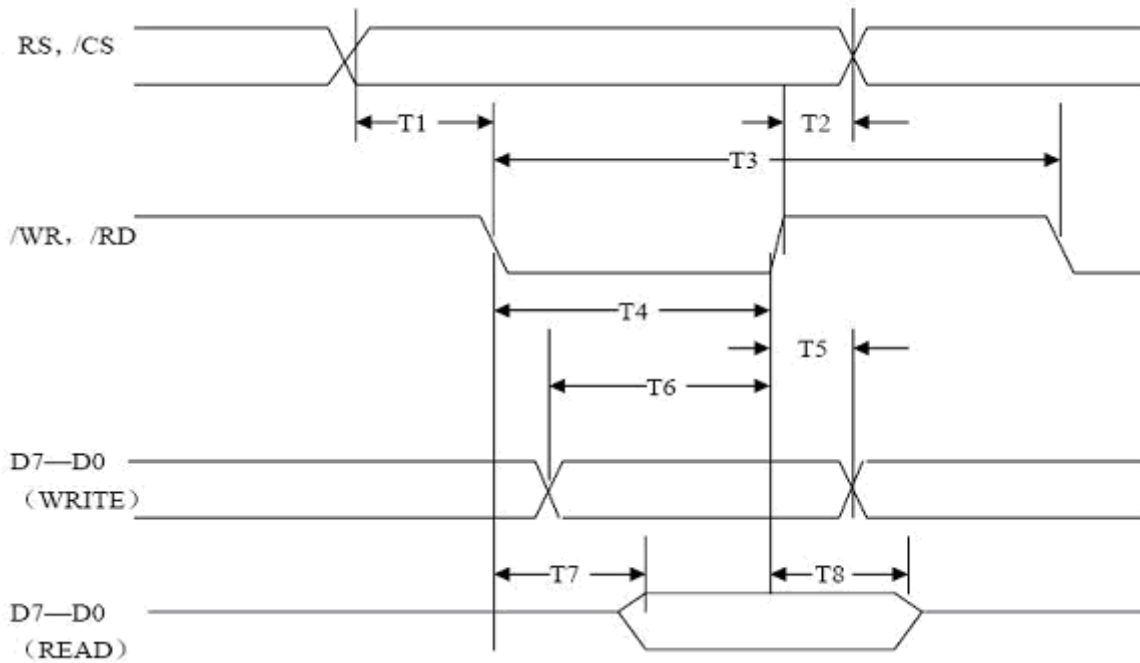


Figure 4. 8080 family Interface Timing

9.2 MCU Interface

Signal	Symbol	Parameter	VDD=3.3V		Unit	Condition
			Min	Max		
RS,/CS	T2	Address hold time	10	-	ns	CL=100pF
	T1	Address setup time	0	-	ns	
/WR,/RD	T3	System cycle time	320	-	ns	
	T4	Strobe pulsewidth	160	-	ns	
D0-D7	T5	Data hold time	80	-	ns	
	T6	Data setup time	120	-	ns	
	T7	/RD Access time	-	50	ns	
	T8	Output disable time	10	50	ns	

10. CONTROL AND DISPLAY INSTRUCTION

10.1 Instruction

Command (Hex)	Command Code								Function				
	/CS	RS	/WR	/RD	D7	D6	D5	D4		D3	D2	D1	D0
0x80	0	0	0	1	1	0	0	0	0	0	0	0	Display on layer1 Read and Write on layer1
0x81	0	0	0	1	1	0	0	0	0	0	0	1	Display and Read on layer1 Write on layer2
0x82	0	0	0	1	1	0	0	0	0	0	1	0	Display and Write on layer1 Read on layer2
0x83	0	0	0	1	1	0	0	0	0	0	1	1	Display on layer1 Write and Read on layer2
0x84	0	0	0	1	1	0	0	0	0	1	0	0	Display on layer2 Read and Write on layer1
0x85	0	0	0	1	1	0	0	0	0	1	0	1	Display and Write on layer2 Read on layer1
0x86	0	0	0	1	1	0	0	0	0	1	1	0	Display and Read on layer2 Write on layer1
0x87	0	0	0	1	1	0	0	0	0	1	1	1	Display on layer2 Write and Read on layer2
0x90	0	0	0	1	1	0	0	1	0	0	0	0	Black light off
0x91	0	0	0	1	1	0	0	1	0	0	0	1	Black light on
0xa0	0	0	0	1	1	0	1	0	0	0	0	0	Mix Mode off (Single layer display)
0xa1	0	0	0	1	1	0	1	0	0	0	0	1	Mix Mode 1 (Front: layer1, Rear: layer2) (Figure 5.)
0xa2	0	0	0	1	1	0	1	0	0	0	1	0	Mix Mode 2 (Front: layer2, Rear: layer1) (Figure 6.)
0xa3	0	0	0	1	1	0	1	0	0	0	1	1	Mix Mode 3 (Mix layer1 and layer2) (Figure 7.)
0xf8	0	0	0	1	1	1	1	1	1	0	0	0	Clear current layer data (>300ms)
0xfc	0	0	0	1	1	1	1	1	1	1	0	0	display on
0xfd	0	0	0	1	1	1	1	1	1	1	0	1	display off
Address set	0	0	0	1	0	0	0	0	0	0	0	---	Write X Addresss(H)
	0	0	0	1	---	---	---	---	---	---	---	---	Write X Addresss(L)
X(0~479)	0	0	0	1	0	0	0	0	0	0	0	---	Write Y Addresss(H)
	0	0	0	1	---	---	---	---	---	---	---	---	Write Y Addresss(L)
Write data	0	1	0	1	---	---	---	---	---	---	---	---	Write display data
Read data	0	1	1	0	---	---	---	---	---	---	---	---	Read display data

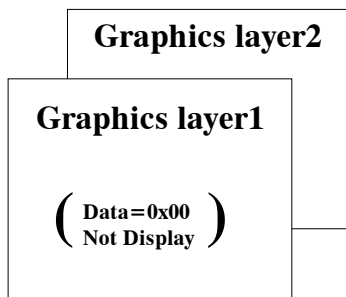


Figure 5.

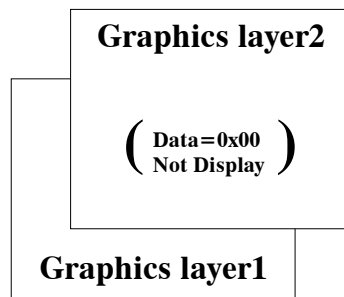


Figure 6.

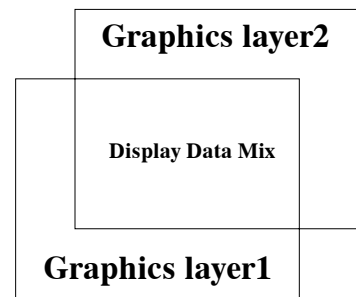


Figure 7.

10.2 Display Data format(256 Colors)

DB7	DB6	DB5	DB4	DB3	DB2	DB1	DB0
R2	R1	R0	G2	G1	G0	B1	B0
MSB		LSB		MSB		LSB	
RED (000~111)		GREEN(000~111)		BLUE(00~11)			

Note: Continuum write display data, Address is increased by 1 automatically.

10.3 Program Example

```
//----- MCU: 89S52, 24M -----
#include <reg51.h>
#define uint unsigned int
#define uchar unsigned char

sbit CS   = P3^2;
sbit RS   = P3^3;
sbit WRR  = P3^4;
sbit RDD  = P3^5;
sbit RST  = P3^6;

void wcomd(uchar ch)
{
    CS=0;RDD=1;RS=0;
    P1=ch;
    WRR=0;
    WRR=1;
    CS=1;
}

void wdata(uchar ch)
{
    CS=0;RDD=1;RS=1;
    P1=ch;
    WRR=0;
    WRR=1;
    CS=1;
}

unsigned char rdata(void)
{
    uchar ch;
    CS=0;WRR=1;RS=1;
    P1=0xff;
    RDD=0;
    ch=P1;
    RDD=1;
    CS=1;
    return(ch);
}
```

```
}

void waddr(uint xdat,uint ydat)
{
    uint xxh,xxl,yyh,ysl;
    xxh=xdat/256;
    xxl=xdat%256;
    yyh=ydat/256;
    ysl=ydat%256;
    wcomd(xxh);
    wcomd(xxl);
    wcomd(yyh);
    wcomd(ysl);
}

void initial_tft()
{
    wcomd(0x91);           //led light on
    wcomd(0xfc);          //display on
    wcomd(0x80);          //display ,write ,read on layer1
    wcomd(0xf8); delay(10); //clr screen >300ms
    wcomd(0x87);          //display ,write, read on layer2
    wcomd(0xf8); delay(10); //clr screen >300ms
    wcomd(0xa0);          //mix mode off
}

void disp_all(uchar xsdat)
{
    uint j,k;
    waddr(0x00,0x00);
    for(k=0;k<272;k++)
    {
        for(j=0;j<480;j++)
        {
            wdata(xsdat);
        }
    }
}

void main(void)
{
    RST=0;delay(50);RST=1;delay(20);
    initial_tft();
    while(1)
    {
        disp_all(0xff); delay(200); //white
        disp_all(0x00); delay(200); //black
        disp_all(0xe0); delay(200); //red
        disp_all(0x1c); delay(200); //green
        disp_all(0x03); delay(200); //blue
        .....
    }
}
```

11 Precaution for using LCD/LCM

LCD/LCM is assembled and adjusted with a high degree of precision. Do not attempt to make any alteration or modification. The followings should be noted.

General Precautions:

1. LCD panel is made of glass. Avoid excessive mechanical shock or applying strong pressure onto the surface of display area.
2. The polarizer used on the display surface is easily scratched and damaged. Extreme care should be taken when handling. To clean dust or dirt off the display surface, wipe gently with cotton, or other soft material soaked with isopropyl alcohol, ethyl alcohol or trichlorotrifluoroethane, do not use water, ketone or aromatics and never scrub hard.
3. Do not tamper in any way with the tabs on the metal frame.
4. Do not make any modification on the PCB without consulting DISPLAY.
5. When mounting a LCM, make sure that the PCB is not under any stress such as bending or twisting. Elastomer contacts are very delicate and missing pixels could result from slight dislocation of any of the elements.
6. Avoid pressing on the metal bezel, otherwise the elastomer connector could be deformed and lose contact, resulting in missing pixels and also cause rainbow on the display.
7. Be careful not to touch or swallow liquid crystal that might leak from a damaged cell. Any liquid crystal adheres to skin or clothes, wash it off immediately with soap and water.

Static Electricity Precautions:

1. CMOS-LSI is used for the module circuit; therefore operators should be grounded whenever he/she comes into contact with the module.
2. Do not touch any of the conductive parts such as the LSI pads; the copper leads on the PCB and the interface terminals with any parts of the human body.
3. Do not touch the connection terminals of the display with bare hand; it will cause disconnection or defective insulation of terminals.
4. The modules should be kept in anti-static bags or other containers resistant to static for storage.
5. Only properly grounded soldering irons should be used.
6. If an electric screwdriver is used, it should be grounded and shielded to prevent sparks.
7. The normal static prevention measures should be observed for work clothes and working benches.
8. Since dry air is inductive to static, a relative humidity of 50-60% is recommended.

Soldering Precautions:

1. Soldering should be performed only on the I/O terminals.
2. Use soldering irons with proper grounding and no leakage.
3. Soldering temperature: $280^{\circ}\text{C}\pm 10^{\circ}\text{C}$
4. Soldering time: 3 to 4 second.
5. Use eutectic solder with resin flux filling.
6. If flux is used, the LCD surface should be protected to avoid spattering flux.
7. Flux residue should be removed.

Operation Precautions:

1. The viewing angle can be adjusted by varying the LCD driving voltage V_o .
2. Since applied DC voltage causes electro-chemical reactions, which deteriorate the display, the applied pulse waveform should be a symmetric waveform such that no DC component remains. Be sure to use the specified operating voltage.
3. Driving voltage should be kept within specified range; excess voltage will shorten display life.
4. Response time increases with decrease in temperature.
5. Display color may be affected at temperatures above its operational range.
6. Keep the temperature within the specified range usage and storage. Excessive temperature and humidity could cause polarization degradation, polarizer peel-off or generate bubbles.
7. For long-term storage over 40°C is required, the relative humidity should be kept below 60%, and avoid direct sunlight.

Limited Warranty

DISPLAY LCDs and modules are not consumer products, but may be incorporated by DISPLAY's customers into consumer products or components thereof, DISPLAY does not warrant that its LCDs and components are fit for any such particular purpose.

1. The liability of DISPLAY is limited to repair or replacement on the terms set forth below. DISPLAY will not be responsible for any subsequent or consequential events or injury or damage to any personnel or user including third party personnel and/or user. Unless otherwise agreed in writing between DISPLAY and the customer, DISPLAY will only replace or repair any of its LCD which is found defective electrically or visually when inspected in accordance with DISPLAY general LCD inspection standard . (Copies available on request)
2. No warranty can be granted if any of the precautions state in handling liquid crystal display above has been disregarded. Broken glass, scratches on polarizer mechanical damages as well as defects that are caused accelerated environment tests are excluded from warranty.
3. In returning the LCD/LCM, they must be properly packaged; there should be detailed description of the failures or defect.

X-ON Electronics

Largest Supplier of Electrical and Electronic Components

Click to view similar products for [TFT Displays & Accessories](#) category:

Click to view products by [Display Elektronik](#) manufacturer:

Other Similar products are found below :

[OAI-80038AA-2013-A](#) [HDA430T-3G1H](#) [EA CARREDIPTFT02](#) [NL6448BC20-21D](#) [NB7W-KBA04](#) [NB-ATT01](#) [NB5Q-ATT01](#) [NB5Q-KBA04](#) [NB-CN001](#) [NL12880BC20-05](#) [NL8060BC26-35C](#) [NL8060BC26-35F](#) [TCG104SVLQAPNN-AN20](#) [OAI-80038AA-2008-A](#) [315-U004B15300](#) [UMSH-8596MD-34T \(REV D\)](#) [98-0003-3490-8](#) [1044278](#) [1029309](#) [1060549](#) [DE 127-TU-30/7,5](#) [DE 128-TU-20/7,5](#) [EP-LK007TFTPCAP](#) [FR7.0A00](#) [RC2002A-TIG-CSX](#) [NL6448BC2021C](#) [TX17D01VM2EAB](#) [TX14D23VM5BAA](#)
[TCG121WXLRXVNNANX35](#) [EIC-LCD-1080P](#) [T272480C07VR01](#) [1060632](#) [TCG070WVLPAAANN-AN50](#) [TCG035QVLPDANN-GN50](#)
[1060630](#) [RFE430V-AIW-DNG](#) [T-55619GD065J-LW-ABN](#) [NHD-1.8-128160EF-SSXN-FT](#) [TCG104SVLPEANN-AN30](#) [NL6448BC33-70](#)
[NL192108BC18-06F](#) [NLB150XG02L-01](#) [NL6448BC20-30D](#) [NL10276BC16-06](#) [NL192108AC10-01D](#) [NL6448AC18-08F](#) [NL6448BC20-30F](#)
[NL12880BC20-05BD](#) [NL12880BC20-05D](#) [NL8060BC26-35BA](#)