



Indukcyjne czujniki zbliżeniowe  
Cylindrical threaded housing, IM12

IM12-06BPS-NC1



Nazwa modelu > **IM12-06BPS-NC1**

Numer części > **6027572**



#### At a glance

- Stainless steel housing (316L/1.4404)
- Extremely watertight (IP 68/IP 69K)
- Triple sensing distance
- High resistance to mechanical stress
- Watertight housing suitable for use in hygienic and wash down areas
- Resistant to aggressive cleaning agents
- Visual adjustment indicator via output LED

#### Your benefits

- Less machine downtime due to rugged sensor design
- Cost reduction due to long service life even under the most extreme ambient conditions
- Quick and easy installation due to adjustment indicator via LEDs
- Large operating reserve due to triple operating distance
- High resistance to shock and impact due to stainless steel sensing face
- No restrictions on cleaning agents or processes, ensuring reliable operation



#### Cechy

|                             |                               |
|-----------------------------|-------------------------------|
| Budowa:                     | Cylindryczna                  |
| Wymiar gwintu:              | M12 x 1                       |
| Sensing range Sn:           | 6 mm                          |
| Assured sensing range Sa:   | 4,86 mm                       |
| Instalacja w metalu:        | Zabudowana                    |
| Częstotliwość przełączania: | 600 Hz                        |
| Wyjście przełączające:      | PNP                           |
| Output function:            | NO                            |
| Electrical wiring:          | DC 3-wire                     |
| Enclosure rating:           | IP 68 <sup>1)</sup><br>IP 69K |
| Sposób przyłączenia:        | Connector M12, 4-pin          |

<sup>1)</sup> According to EN 60529

#### Mechanika/elektronika

|                      |                      |
|----------------------|----------------------|
| Napięcie zasilania:  | 10 V DC ... 30 V DC  |
| Tętnienia resztkowe: | ≤ 20 % <sup>1)</sup> |

|   |   |
|---|---|
| Spadek napięcia:                          | $\leq 2 \text{ V}^{2)}$                             |
| Current consumption:                      | $\leq 10 \text{ mA}^{3)}$                           |
| Czas osiągnięcia dostępności:             | $\leq 40 \text{ ms}$                                |
| Histereza:                                | 1 % ... 15 %  |
| Odtwarzalność:::                          | $\leq 5 \%^{4) 5)}$                                 |
| Przesunięcie ciepłe (Sr):                 | $\leq 10 \%$  |
| Kompatybilność elektromagnetyczna::       | Zgodna z EN 60947-5-2                               |
| Output current I <sub>a</sub> :           | $\leq 200 \text{ mA}$                               |
| Zabezpieczenie przed zwarciami:           | ✓   |
| Zabezpieczenie przed zmianą biegunowości: | ✓   |
| Power-up pulse protection:                | ✓   |
| Shock/vibration:                          | 30 g, 11 ms/10 ... 55 Hz, 1 mm                      |
| Ambient operating temperature:            | -25 °C ... 85 °C                                    |
| Tworzywo, obudowa:                        | Stainless steel, Stainless steel V4A (1.4435, 316L) |
| Tworzywo, obudowa:                        | Metal   |
| Długość obudowy:                          | 60 mm   |
| Thread length:                            | 41 mm   |
| Moment dokręcania:                        | $\leq 20 \text{ Nm}$                                |

1) Of V<sub>S</sub> 2) At I<sub>a</sub> max 3) Bez obciążenia 4) Of Sr 5) UB = 20 V DC ... 30 V DC, TA = 23 °C ± 5 °C

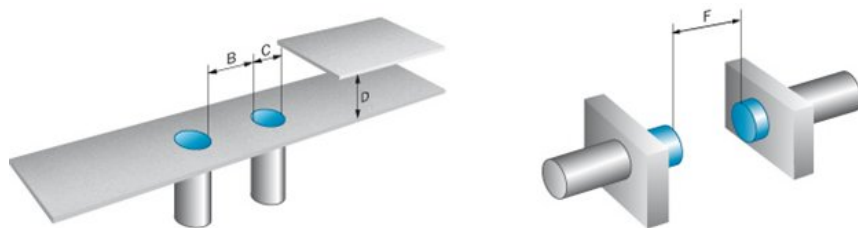
### Współczynniki redukcyjne

|                              |  |
|------------------------------|--|
| Uwaga:                       | The values are reference values which may vary |
| Carbon steel St37 (Fe):      | Ca. 1  |
| Copper (Cu):                 | Ca. 0,85                                       |
| Aluminum (Al):               | Ca. 1  |
| Brass (Br):                  | Ca. 1,3  |
| Stainless steel (V4A, 316L): | Ca. 0,45                                       |

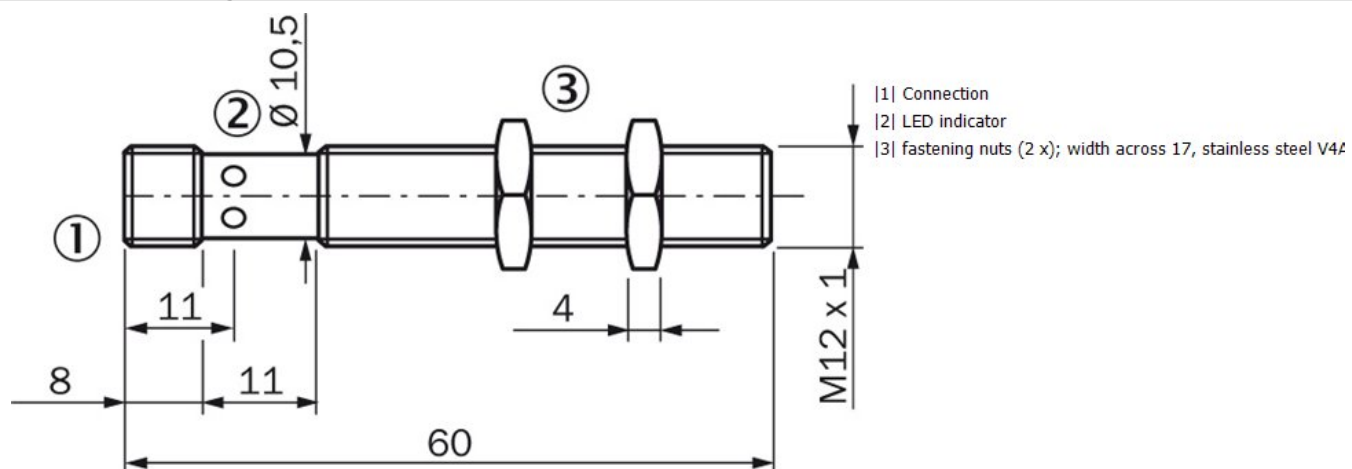
### Instrukcje okrelajace

|        |                                       |
|--------|---------------------------------------|
| A:     | 6 mm                                  |
| B:     | 38 mm                                 |
| C:     | 12 mm                                 |
| D:     | 18 mm                                 |
| F:     | 60 mm                                 |
| Uwaga: | Associated graphic see "Installation" |

## Installation note



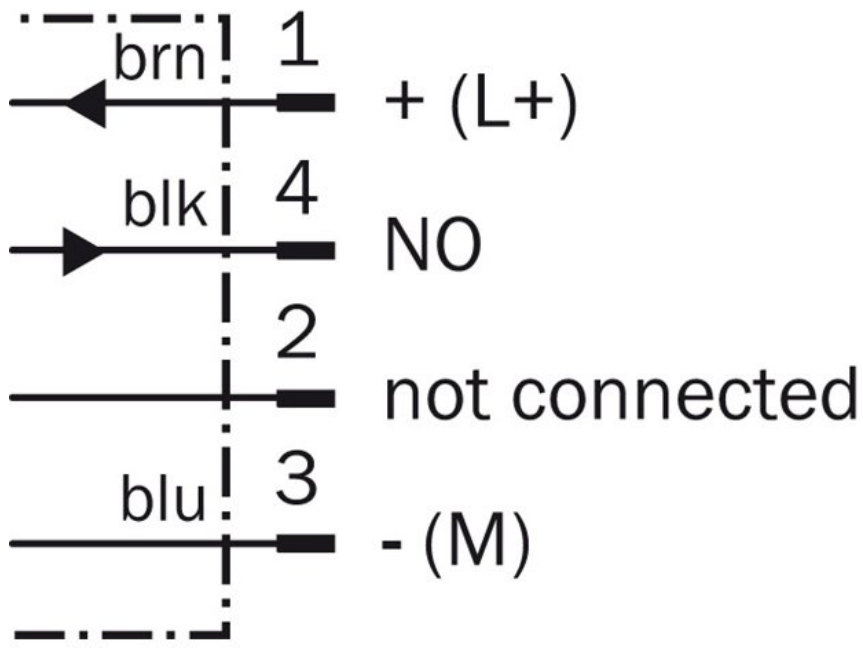
## Dimensional drawing



Alle Maße in mm

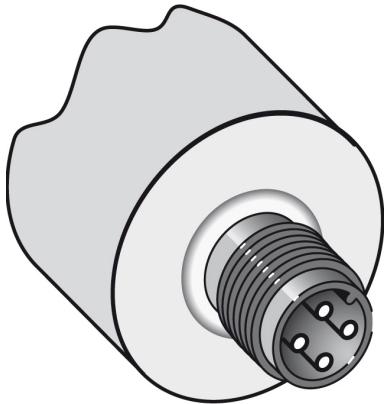
Connection diagram

---



Connection type

---



**Australia**

Phone +61 3 9457 0600  
1800 334 802 – tollfree  
E-Mail sales@sick.com.au

**Belgium/Luxembourg**

Phone +32 (0)2 466 55 66  
E-Mail info@sick.be

**Brasil**

Phone +55 11 3215-4900  
E-Mail sac@sick.com.br

**Canada**

Phone +1 905 771 14 44  
E-Mail information@sick.com

**Ceská Republika**

Phone +420 2 57 91 18 50  
E-Mail sick@sick.cz

**China**

Phone +86 4000 121 000  
E-Mail info.china@sick.net.cn  
Phone +852-2153 6300  
E-Mail ghk@sick.com.hk

**Danmark**

Phone +45 45 82 64 00  
E-Mail sick@sick.dk

**Deutschland**

Phone +49 211 5301-301  
E-Mail kundenservice@sick.de

**España**

Phone +34 93 480 31 00  
E-Mail info@sick.es

**France**

Phone +33 1 64 62 35 00  
E-Mail info@sick.fr

**Great Britain**

Phone +44 (0)1727 831121  
E-Mail info@sick.co.uk

**India**

Phone +91-22-4033 8333  
E-Mail info@sick-india.com

**Israel**

Phone +972-4-6801000  
E-Mail info@sick-sensors.com

**Italia**

Phone +39 02 27 43 41  
E-Mail info@sick.it

**Japan**

Phone +81 (0)3 3358 1341  
E-Mail support@sick.jp

**Magyarország**

Phone +36 1 371 2680  
E-Mail office@sick.hu

**Nederlands**

Phone +31 (0)30 229 25 44  
E-Mail info@sick.nl

**Norge**

Phone +47 67 81 50 00  
E-Mail austefjord@sick.no

**Österreich**

Phone +43 (0)22 36 62 28 8-0  
E-Mail office@sick.at

**Polska**

Phone +48 22 837 40 50  
E-Mail info@sick.pl

**România**

Phone +40 356 171 120  
E-Mail office@sick.ro

**Russia**

Phone +7-495-775-05-30  
E-Mail info@sick.ru

**Schweiz**

Phone +41 41 619 29 39  
E-Mail contact@sick.ch

**Singapore**

Phone +65 6744 3732  
E-Mail admin@sicksgp.com.sg

**Slovenija**

Phone +386 (0)1-47 69 990  
E-Mail office@sick.si

**South Africa**

Phone +27 11 472 3733  
E-Mail info@sickautomation.co.za

**South Korea**

Phone +82 2 786 6321/4  
E-Mail info@sickkorea.net

**Suomi**

Phone +358-9-25 15 800  
E-Mail sick@sick.fi

**Sverige**

Phone +46 10 110 10 00  
E-Mail info@sick.se

**Taiwan**

Phone +886-2-2375-6288  
E-Mail sales@sick.com.tw

**Türkiye**

Phone +90 (216) 528 50 00  
E-Mail info@sick.com.tr

**United Arab Emirates**

Phone +971 (0) 4 8865 878  
E-Mail info@sick.ae

**USA/México**

Phone +1(952) 941-6780  
1 800-325-7425 – tollfree  
E-Mail info@sickusa.com

More representatives and agencies  
at [www.sick.com](http://www.sick.com)

## X-ON Electronics

Largest Supplier of Electrical and Electronic Components

*Click to view similar products for [Proximity Sensors](#) category:*

*Click to view products by [Sick](#) manufacturer:*

Other Similar products are found below :

[01.001.5653.1](#) [70.340.1028.0](#) [70.360.2428.0](#) [70.364.4828.0](#) [70.810.1053.0](#) [72.360.1628.0](#) [73.363.6428.0](#) [980659-1](#) [QT-12](#)  
[E2ECQC2D1M1GJT03M](#) [E2EX10D1NN](#) [E2E-X14MD1-G](#) [E2E-X2D1-G](#) [E2EX2ME2N](#) [E2E-X3D1-N](#) [10M](#) [E2E-X4MD1-G](#)  
[E2FMX1R5D12M](#) [E2K-F10MC1](#) [5M](#) [EC3016PPASL-1](#) [EI1204TBOSL-6](#) [EI5515NPAP](#) [BSA-08-25-08](#) [IC08ANC15PO-K](#) [25.161.3253.0](#)  
[25.332.0653.1](#) [25.352.0653.0](#) [25.352.0753.0](#) [25.523.3253.0](#) [922FS1.5C-A4P-Z774](#) [SC606ABV0S30](#) [SM552A100](#) [SM952A126100LE](#)  
[SM956A132600](#) [A1220EUA-T](#) [F3S-A162-U](#) [CL18](#) [QT-08L](#) [34.110.0010.0](#) [TL-C2MF1-M3-E4](#) [IA08BLF15NOM5](#) [IA08BSF15NOM5](#)  
[IA12ASF04DOM1](#) [IS2](#) [IS31SE5000-UTLS2-TR](#) [34.110.0021.0](#) [34.110.0022.0](#) [CA150-120VACDC](#) [VM18VA3000Q](#) [XS508BSCBL2](#)  
[XS512BLNAM12](#)