



Indukcyjne czujniki zbliżeniowe  
Cylindrical threaded housing, IM30

IM30-15BPO-ZC1



Nazwa modelu > **IM30-15BPO-ZC1**

Numer części > **7900147**



**At a glance**

- Size M30
- IP 67 enclosure rating
- Operating temperature from -25° C to +70° C

**Your benefits**

- Reduced machine downtime
- Reduced mechanical damage
- Fewer maintenance costs due to longer service life
- High resistance to shock and vibrations



**Cechy**

|                             |                      |
|-----------------------------|----------------------|
| Budowa:                     | Cylindryczna         |
| Wymiar gwintu:              | M30 x 1,5            |
| Sensing range Sn:           | 15 mm                |
| Instalacja w metalu:        | Zabudowana           |
| Częstotliwość przełączania: | 150 Hz               |
| Wyjście przełączające:      | PNP                  |
| Output function:            | NC                   |
| Electrical wiring:          | DC 3-wire            |
| Enclosure rating:           | IP 67 <sup>1)</sup>  |
| Sposób przyłączenia:        | Connector M12, 4-pin |
| Housing:                    | Standard             |

<sup>1)</sup> According to EN 60529

**Mechanika/elektronika**

|                                     |                        |
|-------------------------------------|------------------------|
| Napięcie zasilania:                 | 10 V DC ... 30 V DC    |
| Tętnienia resztkowe:                | ≤ 10 % <sup>1)</sup>   |
| Spadek napięcia:                    | ≤ 1 V <sup>2)</sup>    |
| Current consumption:                | ≤ 10 mA <sup>3)</sup>  |
| Czas osiągnięcia dostępności:       | ≤ 100 ms               |
| Histeresa:                          | 2 % ... 15 %           |
| Odtwarzalność:::                    | ≤ 5 % <sup>4) 5)</sup> |
| Przesunięcie cieplne (Sr):          | ± 10 %                 |
| Kompatybilność elektromagnetyczna:: | Zgodna z EN 60947-5-2  |
| Output current I <sub>a</sub> :     | ≤ 400 mA               |

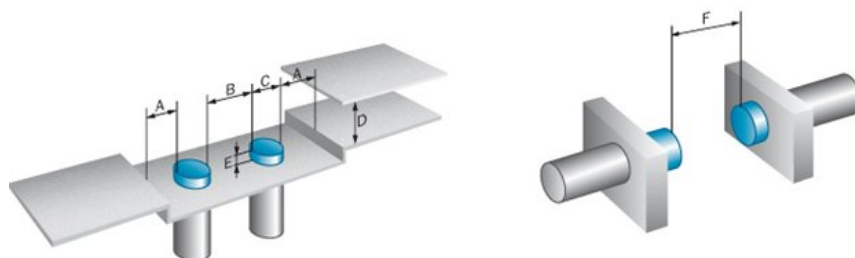
|  |                                |
|--|--------------------------------|
| Zabezpieczenie przed przerwaniem przewodu: | 0                              |
| Zabezpieczenie przed zwarciami:            | ✓                              |
| Zabezpieczenie przed zmianą biegunowości:  | ✓                              |
| Power-up pulse protection:                 | ✓                              |
| Shock/vibration:                           | 30 g, 11 ms/10 ... 55 Hz, 1 mm |
| Ambient operating temperature:             | -25 °C ... 70 °C               |
| Tworzywo, obudowa:                         | Metal, Mosiądz niklowany       |
| Tworzywo, obudowa:                         | Tworzywo sztuczne              |
| Długość obudowy:                           | 76 mm                          |
| Thread length:                             | 50 mm                          |
| Moment dokręcania:                         | 60 Nm                          |

1) Of  $V_S$  2) At  $I_a$  max 3) Bez obciążenia 4)  $U_b$  and  $T_a$  constant 5) Of  $S_r$

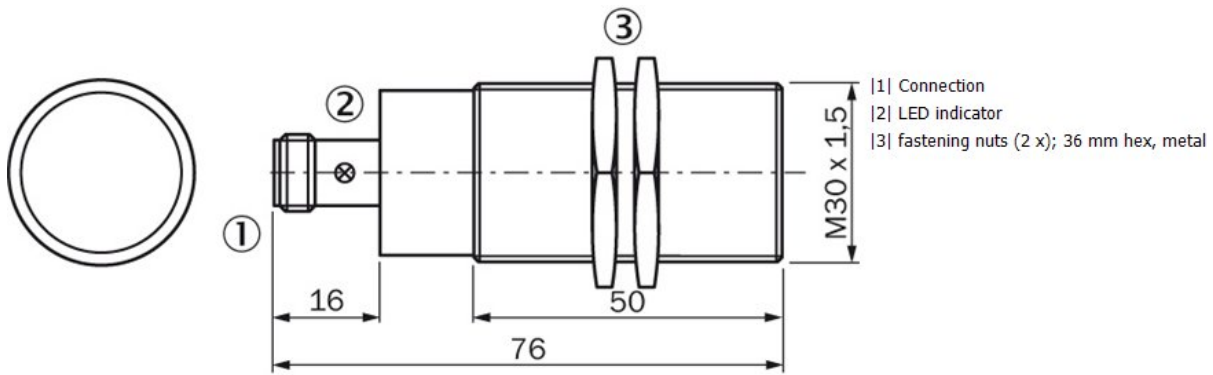
### Instrukcje okrelajace

|        |                                       |
|--------|---------------------------------------|
| A:     | 15 mm                                 |
| B:     | 40 mm                                 |
| C:     | 30 mm                                 |
| D:     | 45 mm                                 |
| E:     | 3 mm                                  |
| F:     | 120 mm                                |
| Uwaga: | Associated graphic see "Installation" |

### Installation note

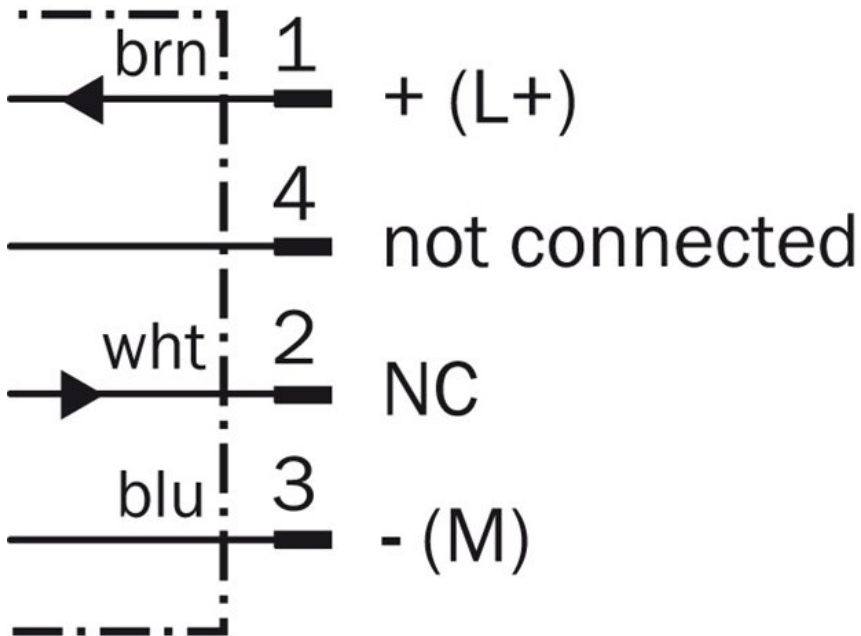


## Dimensional drawing



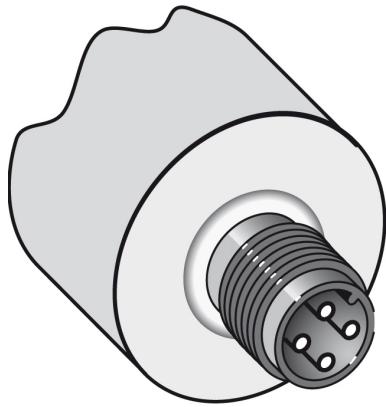
Alle Maße in mm

## Connection diagram



Connection type

---



**Australia**

Phone +61 3 9457 0600  
1800 334 802 – tollfree  
E-Mail sales@sick.com.au

**Belgium/Luxembourg**

Phone +32 (0)2 466 55 66  
E-Mail info@sick.be

**Brasil**

Phone +55 11 3215-4900  
E-Mail sac@sick.com.br

**Canada**

Phone +1 905 771 14 44  
E-Mail information@sick.com

**Ceská Republika**

Phone +420 2 57 91 18 50  
E-Mail sick@sick.cz

**China**

Phone +86 4000 121 000  
E-Mail info.china@sick.net.cn  
Phone +852-2153 6300  
E-Mail ghk@sick.com.hk

**Danmark**

Phone +45 45 82 64 00  
E-Mail sick@sick.dk

**Deutschland**

Phone +49 211 5301-301  
E-Mail kundenservice@sick.de

**España**

Phone +34 93 480 31 00  
E-Mail info@sick.es

**France**

Phone +33 1 64 62 35 00  
E-Mail info@sick.fr

**Great Britain**

Phone +44 (0)1727 831121  
E-Mail info@sick.co.uk

**India**

Phone +91-22-4033 8333  
E-Mail info@sick-india.com

**Israel**

Phone +972-4-6801000  
E-Mail info@sick-sensors.com

**Italia**

Phone +39 02 27 43 41  
E-Mail info@sick.it

**Japan**

Phone +81 (0)3 3358 1341  
E-Mail support@sick.jp

**Magyarország**

Phone +36 1 371 2680  
E-Mail office@sick.hu

**Nederlands**

Phone +31 (0)30 229 25 44  
E-Mail info@sick.nl

**Norge**

Phone +47 67 81 50 00  
E-Mail austefjord@sick.no

**Österreich**

Phone +43 (0)22 36 62 28 8-0  
E-Mail office@sick.at

**Polska**

Phone +48 22 837 40 50  
E-Mail info@sick.pl

**România**

Phone +40 356 171 120  
E-Mail office@sick.ro

**Russia**

Phone +7-495-775-05-30  
E-Mail info@sick.ru

**Schweiz**

Phone +41 41 619 29 39  
E-Mail contact@sick.ch

**Singapore**

Phone +65 6744 3732  
E-Mail admin@sicksgp.com.sg

**Slovenija**

Phone +386 (0)1-47 69 990  
E-Mail office@sick.si

**South Africa**

Phone +27 11 472 3733  
E-Mail info@sickautomation.co.za

**South Korea**

Phone +82 2 786 6321/4  
E-Mail info@sickkorea.net

**Suomi**

Phone +358-9-25 15 800  
E-Mail sick@sick.fi

**Sverige**

Phone +46 10 110 10 00  
E-Mail info@sick.se

**Taiwan**

Phone +886-2-2375-6288  
E-Mail sales@sick.com.tw

**Türkiye**

Phone +90 (216) 528 50 00  
E-Mail info@sick.com.tr

**United Arab Emirates**

Phone +971 (0) 4 8865 878  
E-Mail info@sick.ae

**USA/México**

Phone +1(952) 941-6780  
1 800-325-7425 – tollfree  
E-Mail info@sickusa.com

More representatives and agencies  
at [www.sick.com](http://www.sick.com)

## X-ON Electronics

Largest Supplier of Electrical and Electronic Components

*Click to view similar products for [Proximity Sensors](#) category:*

*Click to view products by [Sick](#) manufacturer:*

Other Similar products are found below :

[01.001.5653.1](#) [70.340.1028.0](#) [70.360.2428.0](#) [70.364.4828.0](#) [70.810.1053.0](#) [72.360.1628.0](#) [73.363.6428.0](#) [980659-1](#) [QT-12](#)  
[E2ECQC2D1M1GJT03M](#) [E2EX10D1NN](#) [E2E-X14MD1-G](#) [E2E-X2D1-G](#) [E2EX2ME2N](#) [E2E-X3D1-N](#) [10M](#) [E2E-X4MD1-G](#)  
[E2FMX1R5D12M](#) [E2K-F10MC1](#) [5M](#) [EC3016PPASL-1](#) [EI1204TBOSL-6](#) [EI5515NPAP](#) [BSA-08-25-08](#) [IC08ANC15PO-K](#) [25.161.3253.0](#)  
[25.332.0653.1](#) [25.352.0653.0](#) [25.352.0753.0](#) [25.523.3253.0](#) [922FS1.5C-A4P-Z774](#) [SC606ABV0S30](#) [SM552A100](#) [SM952A126100LE](#)  
[SM956A132600](#) [A1220EUA-T](#) [F3S-A162-U](#) [CL18](#) [QT-08L](#) [34.110.0010.0](#) [TL-C2MF1-M3-E4](#) [IA08BLF15NOM5](#) [IA08BSF15NOM5](#)  
[IA12ASF04DOM1](#) [IS2](#) [IS31SE5000-UTLS2-TR](#) [34.110.0021.0](#) [34.110.0022.0](#) [CA150-120VACDC](#) [VM18VA3000Q](#) [XS508BSCBL2](#)  
[XS512BLNAM12](#)