



Indukcyjne czujniki zbliżeniowe
Cylindrical threaded housing, IMA12

IMA12-06BE3ZC0K



Nazwa modelu > **IMA12-06BE3ZC0K**

Numer części > **6041792**



At a glance

- Size M12
- Output signal proportional to distance
- Triple operating distance
- Analog current and voltage signal in one sensor
- High level of repeat accuracy
- No blind spots
- Operating distance from 0 mm to 6 mm

Your benefits

- High positioning accuracy
- High repeatability provides increased machine throughput, less wear and tear, and decreased downtime
- No blind zone - increases machine throughput and efficiency
- Current and voltage output in one sensor requires less inventory of maintenance stock, reducing costs
- Minimal temperature drift provides operational consistency



Cechy

Budowa:	Cylindryczna
Wymiar gwintu:	M12 x 1
Sensing range Sn:	6 mm
Assured sensing range Sa:	4,86 mm
Instalacja w metalu:	Quasi-flush
Output function:	Analog
Dokładność powtarzania:::	0,3 mm ^{1) 2) 3)}
Dokładność powtarzania:::	± 0,01 mm
Rozdzielczość:	≤ 1 µm
Rodzaj zabezpieczenia:	IP 67 ⁴⁾
Sposób przyłączenia:	Connector M12, 4-pin ⁵⁾

¹⁾ As per IEC 60947-5-2 ²⁾ Ub = DC 20 V ... 30 V ³⁾ TA = 23 °C ± 5 °C ⁴⁾ As per EN 60529: 2000-09 ⁵⁾ Max. cable length 300 m

Mechanika/elektronika

Napięcie zasilania:	15 V DC ... 30 V DC
Tętnienia resztkowe:	≤ 20 % ¹⁾
Czas osiągnięcia dostępności:	≤ 50 ms

Przesunięcie cieplne (Sr):	$\pm 10\%$, $\pm 5\%$ ^{2) 3)}
Current consumption, no load:	$\leq 12\text{ mA}$ ⁴⁾
Prąd obciążenia:	10 ⁵⁾
Output voltage:	0 V ... 10 V
Output voltage QA1:	S = 0 mm: 0 V/-0 +0,4 V (23 °C), S = 3 mm: +5,2 V/ +0,4 V (23 °C), S = 6 mm: +10 V/ +0,4 V (23 °C)
Szerokość pasma:	1.000 Hz ⁶⁾
Zabezpieczenie przed zwarciami:	✓
Zabezpieczenie przed zmianą biegunowości:	✓
Tworzywo, obudowa:	Metal, Mosiądz niklowany
Tworzywo, obudowa:	Tworzywo sztuczne, PBTP
Długość obudowy:	45 mm
Thread length:	29 mm

1) Of V_S 2) At 0 °C ... +70 °C 3) At -25 °C ... 0 °C 4) Without load 5) At voltage output QA1 6) -3 dB if s = 3 mm

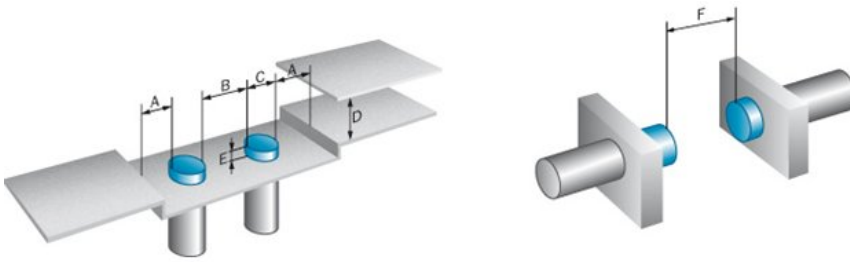
Współczynniki redukcyjne

Uwaga:	The values are reference values which may vary
Stainless steel (V2A, 304):	Ca. 0,47
Copper (Cu):	Ca. 0,2
Aluminum (Al):	Ca. 0,28
Brass (Br):	Ca. 0,35

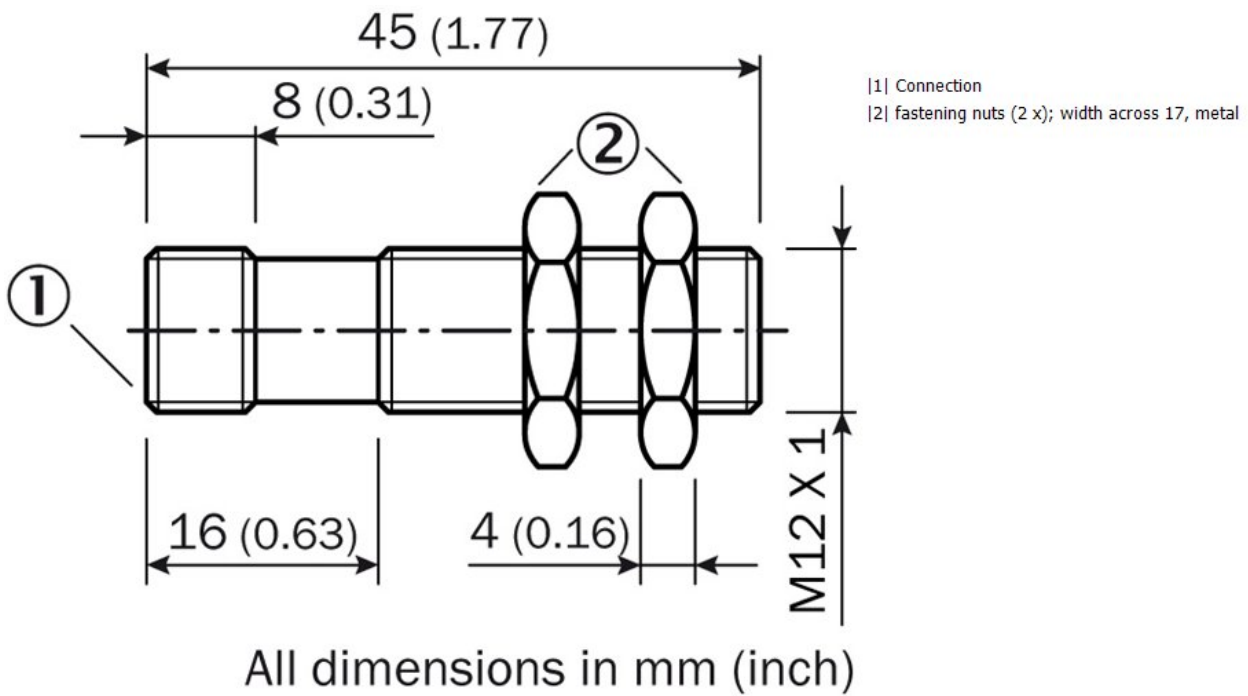
Instrukcje okrelajace

A:	6 mm
B:	18 mm
C:	12 mm
D:	18 mm
E:	2 mm
F:	60 mm
Uwaga:	Associated graphic see "Installation"

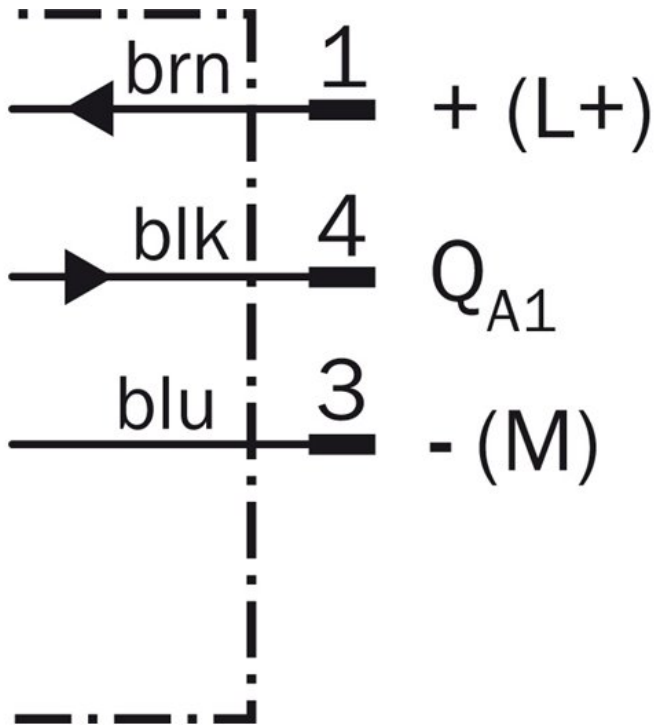
Installation note



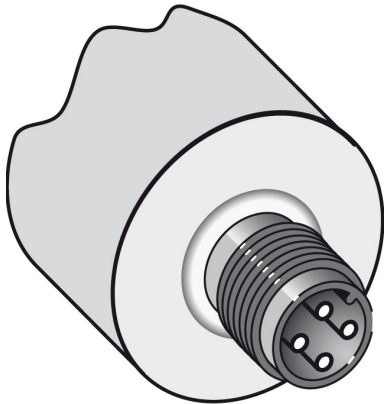
Dimensional drawing



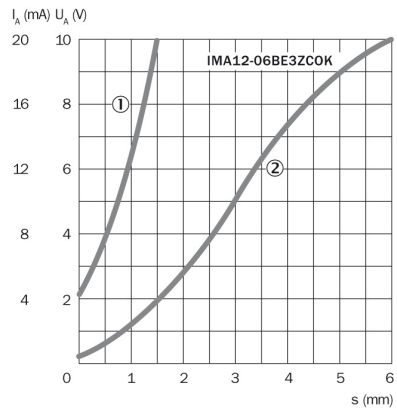
Connection diagram



Connection type



Response curve



Australia

Phone +61 3 9457 0600
1800 334 802 – tollfree
E-Mail sales@sick.com.au

Belgium/Luxembourg

Phone +32 (0)2 466 55 66
E-Mail info@sick.be

Brasil

Phone +55 11 3215-4900
E-Mail sac@sick.com.br

Canada

Phone +1 905 771 14 44
E-Mail information@sick.com

Ceská Republika

Phone +420 2 57 91 18 50
E-Mail sick@sick.cz

China

Phone +86 4000 121 000
E-Mail info.china@sick.net.cn
Phone +852-2153 6300
E-Mail ghk@sick.com.hk

Danmark

Phone +45 45 82 64 00
E-Mail sick@sick.dk

Deutschland

Phone +49 211 5301-301
E-Mail kundenservice@sick.de

España

Phone +34 93 480 31 00
E-Mail info@sick.es

France

Phone +33 1 64 62 35 00
E-Mail info@sick.fr

Great Britain

Phone +44 (0)1727 831121
E-Mail info@sick.co.uk

India

Phone +91-22-4033 8333
E-Mail info@sick-india.com

Israel

Phone +972-4-6801000
E-Mail info@sick-sensors.com

Italia

Phone +39 02 27 43 41
E-Mail info@sick.it

Japan

Phone +81 (0)3 3358 1341
E-Mail support@sick.jp

Magyarország

Phone +36 1 371 2680
E-Mail office@sick.hu

Nederlands

Phone +31 (0)30 229 25 44
E-Mail info@sick.nl

Norge

Phone +47 67 81 50 00
E-Mail austefjord@sick.no

Österreich

Phone +43 (0)22 36 62 28 8-0
E-Mail office@sick.at

Polska

Phone +48 22 837 40 50
E-Mail info@sick.pl

România

Phone +40 356 171 120
E-Mail office@sick.ro

Russia

Phone +7-495-775-05-30
E-Mail info@sick.ru

Schweiz

Phone +41 41 619 29 39
E-Mail contact@sick.ch

Singapore

Phone +65 6744 3732
E-Mail admin@sicksgp.com.sg

Slovenija

Phone +386 (0)1-47 69 990
E-Mail office@sick.si

South Africa

Phone +27 11 472 3733
E-Mail info@sickautomation.co.za

South Korea

Phone +82 2 786 6321/4
E-Mail info@sickkorea.net

Suomi

Phone +358-9-25 15 800
E-Mail sick@sick.fi

Sverige

Phone +46 10 110 10 00
E-Mail info@sick.se

Taiwan

Phone +886-2-2375-6288
E-Mail sales@sick.com.tw

Türkiye

Phone +90 (216) 528 50 00
E-Mail info@sick.com.tr

United Arab Emirates

Phone +971 (0) 4 8865 878
E-Mail info@sick.ae

USA/México

Phone +1(952) 941-6780
1 800-325-7425 – tollfree
E-Mail info@sickusa.com

More representatives and agencies
at www.sick.com

X-ON Electronics

Largest Supplier of Electrical and Electronic Components

Click to view similar products for [Proximity Sensors](#) category:

Click to view products by [Sick](#) manufacturer:

Other Similar products are found below :

[01.001.5653.1](#) [70.340.1028.0](#) [70.360.2428.0](#) [70.364.4828.0](#) [70.810.1053.0](#) [72.360.1628.0](#) [73.363.6428.0](#) [980659-1](#) [QT-12](#)
[E2ECQC2D1M1GJT03M](#) [E2EX10D1NN](#) [E2E-X14MD1-G](#) [E2E-X2D1-G](#) [E2EX2ME2N](#) [E2E-X3D1-N](#) [10M](#) [E2E-X4MD1-G](#)
[E2FMX1R5D12M](#) [E2K-F10MC1](#) [5M](#) [EC3016PPASL-1](#) [EI1204TBOSL-6](#) [EI5515NPAP](#) [BSA-08-25-08](#) [IC08ANC15PO-K](#) [25.161.3253.0](#)
[25.332.0653.1](#) [25.352.0653.0](#) [25.352.0753.0](#) [25.523.3253.0](#) [922FS1.5C-A4P-Z774](#) [SC606ABV0S30](#) [SM552A100](#) [SM952A126100LE](#)
[SM956A132600](#) [A1220EUA-T](#) [F3S-A162-U](#) [CL18](#) [QT-08L](#) [34.110.0010.0](#) [TL-C2MF1-M3-E4](#) [IA08BLF15NOM5](#) [IA08BSF15NOM5](#)
[IA12ASF04DOM1](#) [IS2](#) [IS31SE5000-UTLS2-TR](#) [34.110.0021.0](#) [34.110.0022.0](#) [CA150-120VACDC](#) [VM18VA3000Q](#) [XS508BSCBL2](#)
[XS512BLNAM12](#)