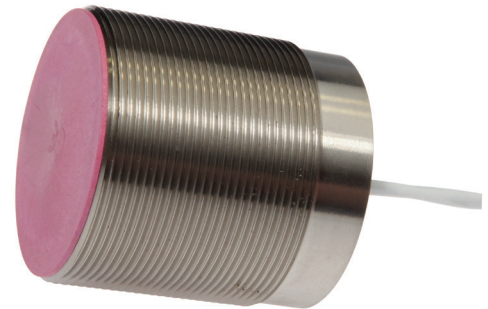


Inductive proximity switches are contact-free sensors. They detect all conductive metals, regardless of whether they move or not. The achievable sensing range of the devices depends on the object material and its dimensions. The vibration-resistant sensors can be approached laterally or frontally. Inductive proximity switches are used for presence detection (e.g. goods carriers), positioning (e.g. dampers), counting (e.g. nuts /bolts), speed detection (e.g. for cog wheels), on conveyor systems (e.g. hose feedings) or distance measurements (e.g. press-in checking) of metallic objects.

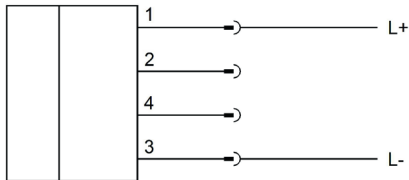

**TECHNICAL DATA**

Devices for hose mounting	NO
Feeding technology	NO
Hygienic and wet area	NO
Metallic sensor surface	NO
Oil and lubricating coolants	NO
Ring-shaped sensors	NO
Rough ambient conditions	NO
Welding proof sensors	NO
Ambient temperature (min/max)	0°C / 230°C
Ambient temperatures > -25°C	NO
Cable length	3m
Compression-resistant	NO
Construction type housing	Cylinder, screw-thread
Degree of protection (IP)	IP50
High-pressure resistant sensors	NO
Increased ambient temperatures > 80°C	YES
Length of sensor	63.5mm
Material active area of sensor	Vectra®
Material housing	Stainless steel 1.4305
Material housing	Metal
Material independent sensors (factor 1)	NO
Material of cable sheath	PTFE
Mechanical mounting condition for sensor	Not flat
Pitch thread	1.5mm
Sensors uneffected by atmospheric changes (temperature cycle)	NO
Teflon housing	NO
Thread length	41mm
Thread size metric (M..)	50
Cascadable	NO
Connection to an amplifier	YES
Distance measuring sensors	NO

**TECHNICAL DATA**

Double sensing range	NO
Hysteresis	15%
Increased sensing range	NO
Norm trimming plate	50x50x1
Quadruple sensing range	NO
Reverse polarity protection	NO
Short-circuit-proof	NO
Suited for safety functions	NO
Switching distance	25mm
Switching frequency	150Hz
Triple sensing range	NO
Type of electric connection	Connector M12
Type of switch function	Amplifier
Type of switching output	Amplifier
Voltage type	DC
With LED indication	NO
With monitoring function downstream switching devices	NO
Areas inquiry	NO
End position inquiry hydraulic cylinder	NO
Welding areas	NO

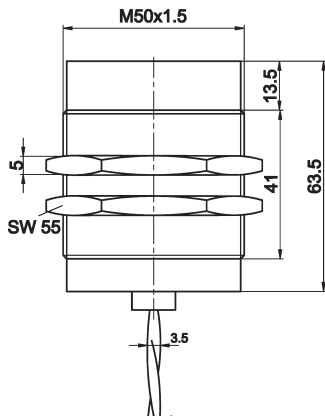
**CONNECTION**



**Colors:** 1 = BN (brown), 2 = WH (white), 3 = BU (blue), 4 = BK (black)

**Functions:** 1 = L+, 2 = n. c., 3 = L-, 4 = n. c.

**DIMENSIONAL DRAWING**



**ADDITIONAL INFORMATION**

## X-ON Electronics

Largest Supplier of Electrical and Electronic Components

*Click to view similar products for [Proximity Sensors](#) category:*

*Click to view products by [IPF ELECTRONIC](#) manufacturer:*

Other Similar products are found below :

[01.001.5653.1](#) [70.340.1028.0](#) [70.360.2428.0](#) [70.364.4828.0](#) [70.810.1053.0](#) [72.360.1628.0](#) [73.363.6428.0](#) [980659-1](#) [QT-12](#)  
[E2ECQC2D1M1GJT03M](#) [E2EX10D1NN](#) [E2E-X14MD1-G](#) [E2E-X2D1-G](#) [E2EX2ME2N](#) [E2E-X3D1-N](#) [10M](#) [E2E-X4MD1-G](#)  
[E2FMX1R5D12M](#) [E2K-F10MC1](#) [5M](#) [EC3016PPASL-1](#) [EI1204TBOSL-6](#) [EI5515NPAP](#) [BSA-08-25-08](#) [IC08ANC15PO-K](#) [25.161.3253.0](#)  
[25.332.0653.1](#) [25.352.0653.0](#) [25.352.0753.0](#) [25.523.3253.0](#) [922FS1.5C-A4P-Z774](#) [SC606ABV0S30](#) [SM552A100](#) [SM952A126100LE](#)  
[SM956A132600](#) [A1220EUA-T](#) [F3S-A162-U](#) [CL18](#) [QT-08L](#) [34.110.0010.0](#) [TL-C2MF1-M3-E4](#) [IA08BLF15NOM5](#) [IA08BSF15NOM5](#)  
[IA12ASF04DOM1](#) [IS2](#) [IS31SE5000-UTLS2-TR](#) [34.110.0021.0](#) [34.110.0022.0](#) [CA150-120VACDC](#) [VM18VA3000Q](#) [XS508BSCBL2](#)  
[XS512BLNAM12](#)