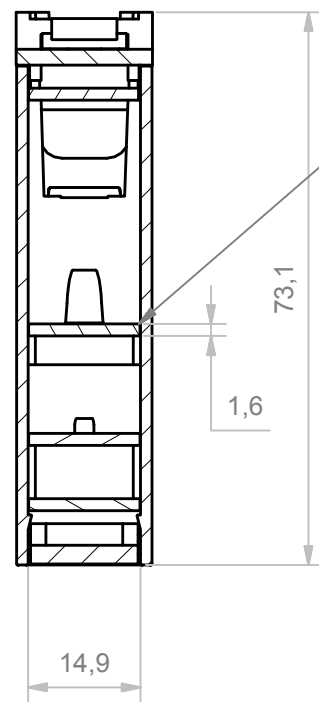
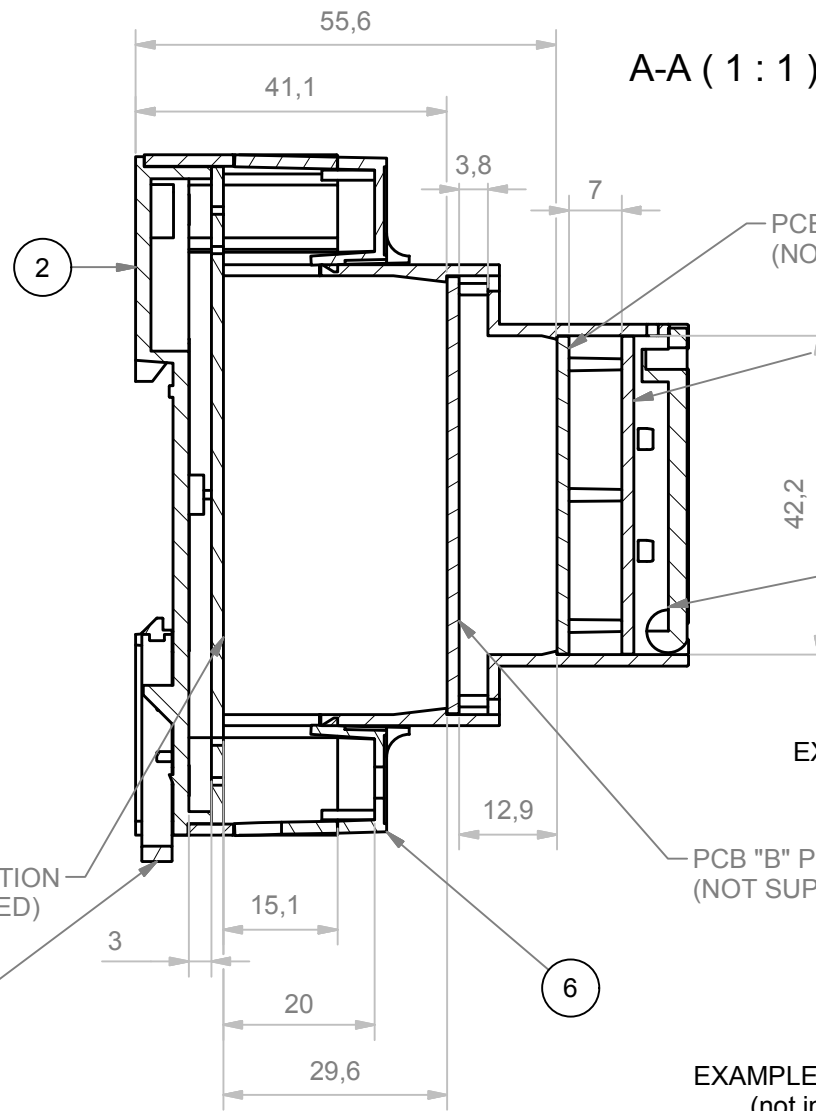


B-B (1:1)



BOARD THICKNESS TYP.



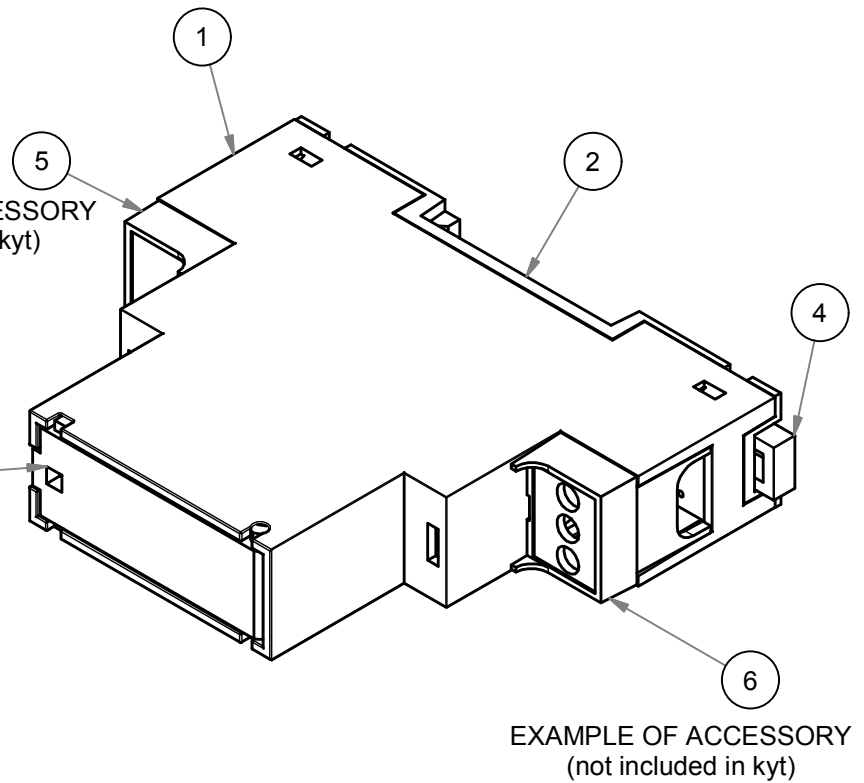
A-A (1:1)

PCB "C" POSITION (NOT SUPPLIED)
 3 EXAMPLE OF ACCESSORY (not included in kyt)

EXAMPLE OF ACCESSORY (not included in kyt)

PCB "B" POSITION (NOT SUPPLIED)

EXAMPLE OF ACCESSORY (not included in kyt)



EXAMPLE OF ACCESSORY (not included in kyt)

RIF.	Q.TY	DESCRIPTION	CODE
1	1	CORPO CONTENITORE 1MH68	M-00192-02
2	1	BASE PER CONTENITORE 1M - BASE FOR ENCLOSURE 1M	M-00428
3	1	PANNELLO 1M - PANEL 1M	M-00994
4	1	AGGANCIO 1 MODULO - HOOK 1 MODUL	M-00427-00
5	1	COPRIMORSETTO 1MPN - TERMINAL COVER 1MPN	M-00024
6	1	COPRIMORSETTO PREFORATO PASSO 5,08 3 VIE 1MP05	M-00121-00
7	1	PANNELLO 1M C/CERNIERA	M-00187-00

RESERVED PROPERTY: The present drawing cannot be reproduced or communicated to 3d parties, even partially, without the authorization of ITALTRONIC Srl. Italtronic reserves to protect its own rights according to the law.				5	4	3	2	1
GENERAL TOLERANCE		UNI EN 22768/1 Media (m)		Drawn by:		Checked:		Revision description
SHEET NR.		Dimension in mm		DRAWING BY		Date:		Scale: 1 : 1
1 / 1				 Manual modification are not allowed		Fanin F.		Dalla Montà D.
				Date: 06/06/2016		Replace nr.		Part number:

 UN PARTNER PER IL FUTURO	Denomination:	
	CONTENITORE COMPLETO MODULBOX 1MH68 COMPLETE ENCLOSURE MODULBOX 1MH68	
 www.italtronic.com	ITALTRONIC S.R.L. VIA AUSTRIA 25/D 35127 PADOVA - ITALY	Drawing nr. M-06525-00

X-ON Electronics

Largest Supplier of Electrical and Electronic Components

Click to view similar products for [Enclosures, Boxes, & Cases](#) category:

Click to view products by [Italtronic](#) manufacturer:

Other Similar products are found below :

[CR-425 PAINTED](#) [585-R-WH-PK](#) [M-10-PLATED](#) [60221-01](#) [60566-01-000](#) [HPL-9VB BATT DOOR](#) [M-16-LID-PLATED](#) [M18-PLTD](#) [M-21-LID-PLATED](#) [M-21-PLATED](#) [M-23-PLATED](#) [CU-281-MB](#) [6711GSKT](#) [71884-29-028](#) [LH45-100 Black](#) [7200B](#) [72868-510-000](#) [CNS-0000 Black](#) [72883-510-000](#) [CNS-0101 Black](#) [72906-510-000](#) [CNS-0407 Black](#) [73091-510-000](#) [CNM-0000-BLACK Kit](#) [73092-510-000](#) [CNM-0101 Black](#) [73108-510-000](#) [CNL-0303 Black](#) [73395-510-039](#) [CNS-0006 Bone](#) [74257-510-000](#) [CNL-0004](#) [MDC-1183-PLAIN-ALUM](#) [MDC-1183-PTD](#) [MDC-13104-PLAIN-ALUM](#) [MDC-211 - PAINTED IVORY/BEIGE](#) [MDC-321-PTD](#) [MDC-432-PLAIN-ALUM](#) [MDC-973-PTD](#) [76](#) [77153-01-028](#) [FLX6030](#) [83535-01-508](#) [PS-11296-G](#) [PS-11298-B](#) [116-508](#) [120-407](#) [120-412](#) [120-909](#) [120-455](#) [R272-100-000](#) [120-910](#) [R501-001-010](#) [R508-080-000](#) [R508-160-000](#) [R530-120-000](#) [R530-122-000](#) [R530-200-000](#) [R531-160-000](#) [R531-200-000](#) [R582-080-100](#)