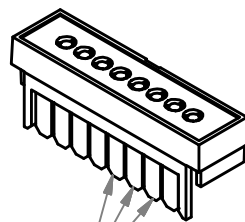
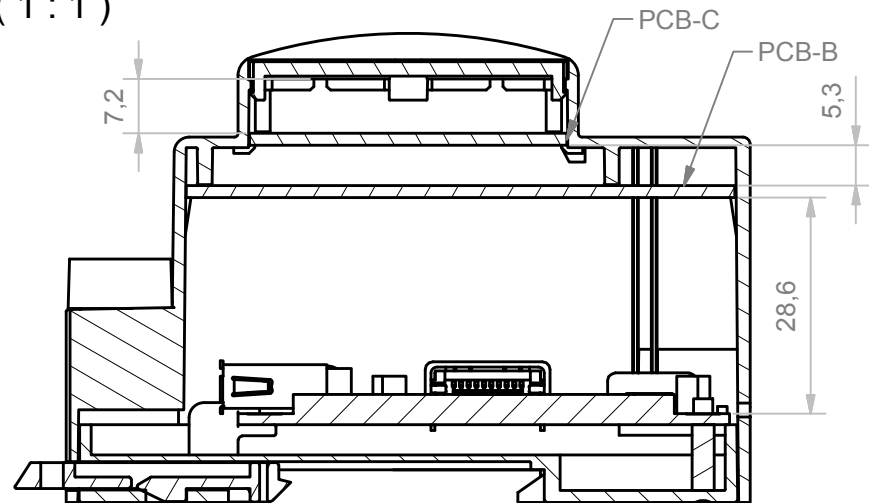
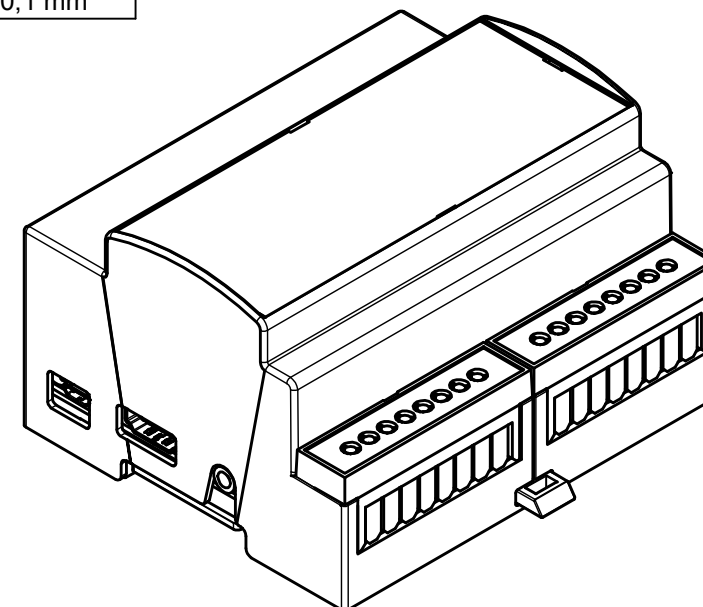


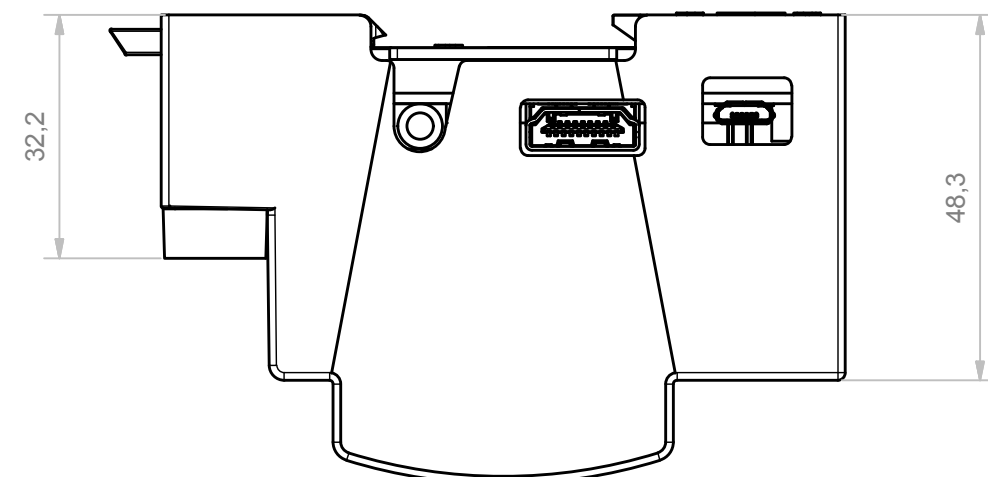
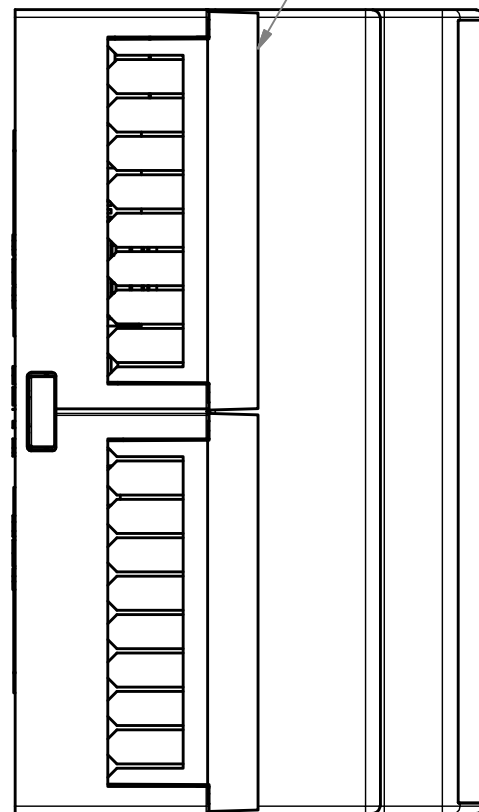
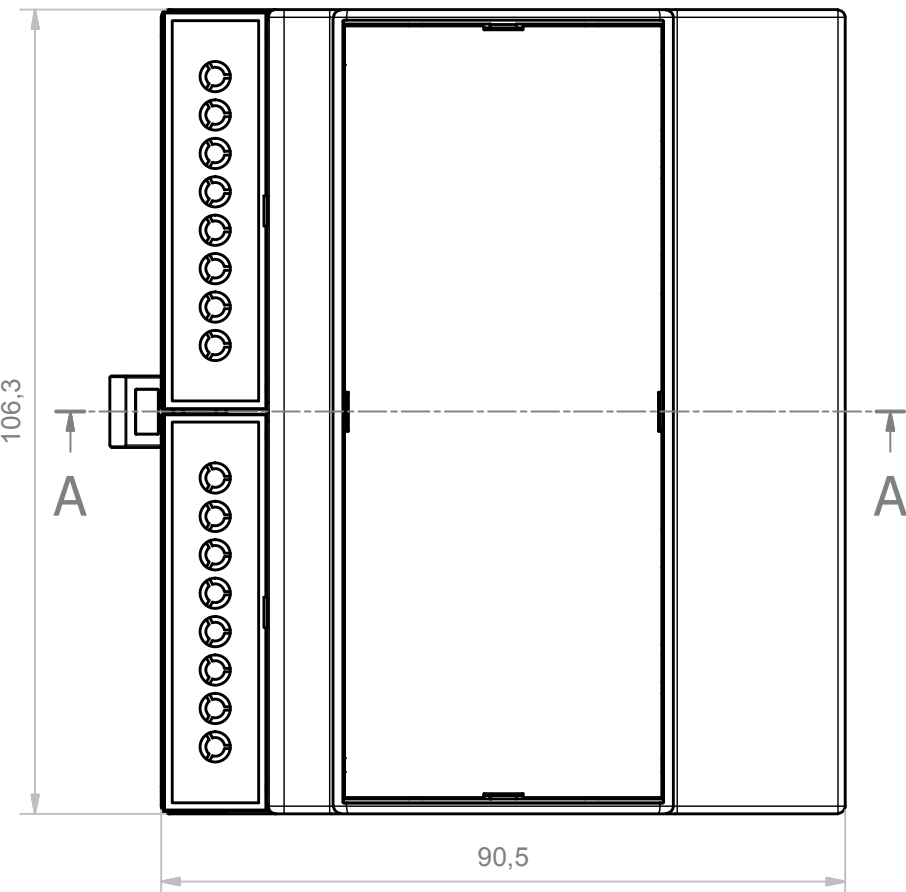
A-A (1:1)



break to insert the USB cable



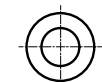
PCB TYPE	PCB DIMENS	TOLERANCE
B	102.5X72.6	±0,1 mm
C	102.1X42.0	±0,1 mm



COMPONENTS LIST						
RIF.	Q.TY	DESCRIPTION	CODE			
1	2	DADO M2.5X0.45 PLASTICA - NUT M2.5X0.45 PLASTIC	PM10012028			
2	2	VITE TS M2.5X16 PLASTICA - SCREW TS M2.5X16 PLASTIC	PM10012029			
3	1	AGGANCIO MODULBOX LUNGO- HOOK MODULBOX LONG	P05990002A			
4	1	PANNELLO 6M SENZA CORNICE - PANEL 6M WITHOUT FRAME	M-00155			
5	1	DISTANZIALE TONDO 5 X 3.2 X 8.7 PLASTICA - SPACER ROUND 5 X 3.2 X 8.7 PLASTIC	PM10012030			
6	1	DISTANZIALE TONDO 5 X 3.2 X 4 PLASTICA - SPACER ROUND 5 X 3.2 X 4 PLASTIC	PM10012031			
7	1	Corpo 6MH53-B XTS Raspberry A+ - Body 6MH53-B XTS Raspberry A+	M-05841			
8	2	Coprimorsetto speciale 3M-CM061 - Special terminalcover 3M-CM061	P05030261T			
9	1	Base 6M XT Raspberry A+	M-05843			
10	1	accessorio porta PCB Raspberry A+ - Accessory bear PCB Raspberry A+	M-05857			
11	1	vite 2.9x9.5 tronca TS - Screw 2.9x9.5 cut off TS	PM10012018			
		Da 0,5 a 3	Oltre 3 fino a 6	Oltre 6 fino a 30	Oltre 30 fino a 120	Oltre 120
		± 0,1	± 0,1	± 0,2	± 0,3	± 0,5

RESERVED PROPERTY

The present drawing cannot be reproduced or communicated to 3d parties, even partially, without the authorization of ITALTRONIC Srl. Italtronic reserves to protect its own rights according to the law.



Dimension in mm

SHEET NR.

1 / 1

DRAWING BY



Manual modification are not allowed

GENERAL TOLERANCE

UNI EN 22768/1
Media (m)

5 4 3 2 1

Date: 10/02/2015
 Drawn: Rigato N.
 Checked: Dalla Montà D.

Replace nr.
 Scale:

Revision description



Denomination: Kit 6M XTS Raspberry A+

ITALTRONIC S.R.L.
 VIA AUSTRIA 25/D 35127
 PADOVA - ITALY
 www.italtronic.com
 Drawing nr. M-05856-00

X-ON Electronics

Largest Supplier of Electrical and Electronic Components

Click to view similar products for [Enclosures, Boxes, & Cases](#) category:

Click to view products by [Italtronic](#) manufacturer:

Other Similar products are found below :

[CR-425 PAINTED](#) [585-R-WH-PK](#) [M-10-PLATED](#) [60221-01](#) [60566-01-000](#) [HPL-9VB BATT DOOR](#) [M-16-LID-PLATED](#) [M18-PLTD](#) [M-21-LID-PLATED](#) [M-21-PLATED](#) [M-23-PLATED](#) [CU-281-MB](#) [6711GSKT](#) [71884-29-028](#) [LH45-100 Black](#) [7200B](#) [72868-510-000](#) [CNS-0000 Black](#) [72883-510-000](#) [CNS-0101 Black](#) [72906-510-000](#) [CNS-0407 Black](#) [73091-510-000](#) [CNM-0000-BLACK Kit](#) [73092-510-000](#) [CNM-0101 Black](#) [73108-510-000](#) [CNL-0303 Black](#) [73395-510-039](#) [CNS-0006 Bone](#) [74257-510-000](#) [CNL-0004](#) [MDC-1183-PLAIN-ALUM](#) [MDC-1183-PTD](#) [MDC-13104-PLAIN-ALUM](#) [MDC-211 - PAINTED IVORY/BEIGE](#) [MDC-321-PTD](#) [MDC-432-PLAIN-ALUM](#) [MDC-973-PTD](#) [76](#) [77153-01-028](#) [FLX6030](#) [83535-01-508](#) [PS-11296-G](#) [PS-11298-B](#) [116-508](#) [120-407](#) [120-412](#) [120-909](#) [120-455](#) [R272-100-000](#) [120-910](#) [R501-001-010](#) [R508-080-000](#) [R508-160-000](#) [R530-120-000](#) [R530-122-000](#) [R530-200-000](#) [R531-160-000](#) [R531-200-000](#) [R582-080-100](#)