

UWS

FWS



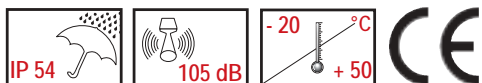
typical application:
for pause, fire alarm or other signalling in schools,
plants, buildings etc.

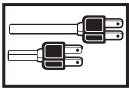


models with telephone call current relay
UWS-R, FWS-R

Features:

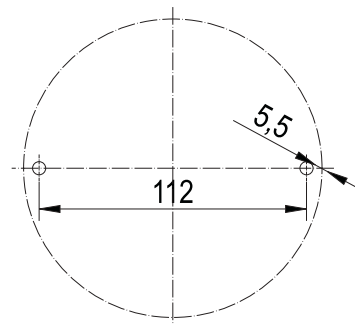
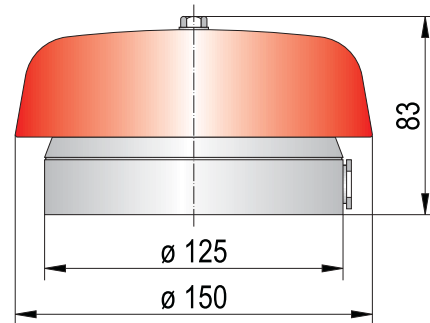
- ▶ loud bells for universal or fire alarm with typical bell tone
- ▶ very robust, high quality design
- ▶ steel bell dome, epoxy powder coated
- ▶ housing aluminium die cast, epoxy powder coated
- ▶ special models with telephone call current relay (UWS-R, FWS-R)
- ▶ wide offering of standard and special voltages





Technical data

Type	UWS	FWS
Housing	aluminium die cast epoxy powder coated	
Bell dome	steel, epoxy powder coated	
Colour	RAL 7000/7015	RAL 3000
Terminal	bis 1,5 mm ²	
Cable entry	5 - 12 mm	
Cable conduit	surface or buried	
Mounting	vertical	
Duty cycle factor	100 %	
Protection class	IP 54	
Radio noise suppression	acc. to CENELEC EN 55014	
Temperature range	-20 °C to +50 °C	
Sound pressure	~ 105 dB	
Weight	1.500 g	



Order data

Nominal voltage (V)	Hz	Order No.		Nominal current (A)
		UWS	FWS	
12 V AC	50-60	720 000 304	720 200 304	0,80
24 V AC		720 000 305	720 200 305	0,40
42 V AC		720 000 307	720 200 307	0,22
48 V AC		720 000 308	720 200 308	0,20
60 V AC		720 000 309	720 200 309	0,15
110 V AC		720 000 310	720 200 310	0,10
230 V AC		720 000 313	720 200 313	0,05
12 V DC			720 000 004	720 200 004
24 V DC		720 000 005	720 200 005	0,40
48 V DC		720 000 008	720 200 008	0,20
60 V DC		720 000 009	720 200 009	0,20
110 V DC		720 000 010	720 200 010	0,10
220 V DC		720 000 013	720 200 013	0,05
Models with telephone call current relay				
		UWS-R	FWS-R	
230 V AC		720 010 313	720 220 313	0,05

X-ON Electronics

Largest Supplier of Electrical and Electronic Components

Click to view similar products for [LED Lighting Drivers](#) category:

Click to view products by [J Auer](#) manufacturer:

Other Similar products are found below :

[LV5235V-MPB-H](#) [MB39C602PNF-G-JNEFE1](#) [FAN5702UMP30X](#) [MIC2871YMK-T5](#) [MP1518DJ-LF-P](#) [MP1528DK-LF-Z](#) [MP3202DG-LF-P](#)
[MP3304BDD-LF-P](#) [MP3306EG-LF-P](#) [MP3398AGY](#) [MP4033GK](#) [AL1676-10BS7-13](#) [AL1676-20AS7-13](#) [MX877RTR](#) [NCL30085BDR2G](#) [ICL8201](#)
[IS31BL3506B-TTLS2-TR](#) [PAM2808BLBR](#) [PAM2841GR](#) [A8519KLPTR-T](#) [FAN5702UMP20X](#) [AL3157F-7](#) [AL8807BQMP-13](#) [AP3031KTR-AG1](#)
[LV52204MTTBG](#) [TLD1120EL](#) [TLD1125EL](#) [MP2488DN-LF](#) [MP24893DQ-LF-P](#) [MP24894GJ-P](#) [MP24895GJ-P](#) [MP3308DL-LF-Z](#) [MP3393EF-LF](#)
[MP3394SGF](#) [MP3802DQ-LF-P](#) [MP4008GS](#) [MP4031GS](#) [MP4032-1GS](#) [MP4034GS](#) [MP46885DN-LF](#) [SLG7NT4082V](#) [SLG7NT4082VTR](#)
[PCA9955BTWQ900J](#) [TLD5095EL](#) [LED6001TR](#) [LDS8845-002-T2](#) [LED7707TR](#) [STP4CMPQTR](#) [BD1604MVV-E2](#) [MAX16832CASAT](#)