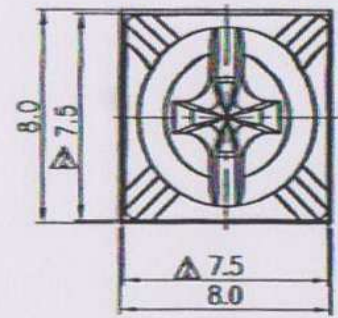


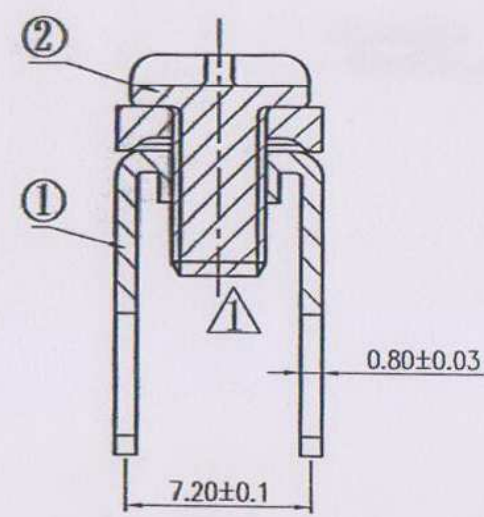
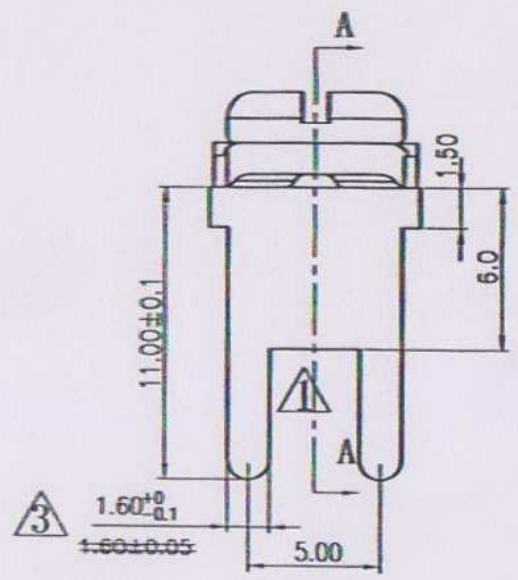
01111000

REVISION RECORD					
REV	ENC	QTY	DESCRIPTION	DRFT	DATE
T1		△	Engineering Change	Zengy	09/12/08
T2		△	Increased gasket DIM	LJH	12/24/08
T3	09-0029	△	Change pin tolerance	Mickey	08/28/09

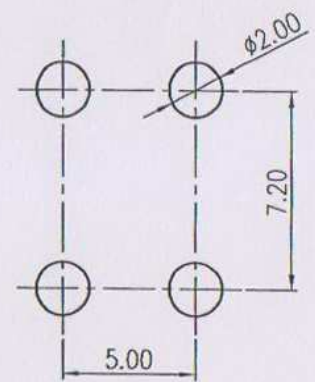


NOTES:
 1. Max. Torque Value: M3.5, 8.16kgf.cm;
 2. Wire Range: 18-14AWG;

to	Pitch range in mm		Nominal dimension range in mm				—
	over 6 to 10	over 10 to 24	over 30 to 60	over 60 to 100	over 100 to 150	over 150	
±0.10	±0.15	±0.25	±0.2	±0.3	±0.5	±0.7	±1.0
							0.05/NO



section A-A



宁波高正电子
 2012.7.08

2	K14 (M3.5*6.0) bright screw	S000000990 (H)	1	Steel	Ni plated																		
1	K14-pin	C1410 (H)	1	Brass	SnCe																		
ITEM	NAME OF PART	NO. OF PART	Q*TY	MATERIAL	NOTES																		
<table border="1"> <tr> <td>MM (INCH)</td> <td>DATE 09/01/06</td> </tr> <tr> <td>DFD WF</td> <td>DATE 9/2/09</td> </tr> <tr> <td>CHKD WM</td> <td>DATE</td> </tr> <tr> <td>MFO</td> <td>DATE</td> </tr> <tr> <td>APPV. <i>Hang</i></td> <td>DATE 9/10/09</td> </tr> <tr> <td colspan="2">MATERIAL :</td> </tr> <tr> <td colspan="2">G.E :</td> </tr> <tr> <td colspan="2">FINISH :</td> </tr> <tr> <td colspan="2">SCALE : 1:1</td> </tr> </table>		MM (INCH)	DATE 09/01/06	DFD WF	DATE 9/2/09	CHKD WM	DATE	MFO	DATE	APPV. <i>Hang</i>	DATE 9/10/09	MATERIAL :		G.E :		FINISH :		SCALE : 1:1		宁波高正电子有限公司 DEGSON® DEGSON ELECTRONICS CO., LTD NAME K14-00A(H) DRAWING NO. K14-E02 /PART NO. DO NOT SCALE DRAWING			
MM (INCH)	DATE 09/01/06																						
DFD WF	DATE 9/2/09																						
CHKD WM	DATE																						
MFO	DATE																						
APPV. <i>Hang</i>	DATE 9/10/09																						
MATERIAL :																							
G.E :																							
FINISH :																							
SCALE : 1:1																							
<table border="1"> <tr> <td>MM</td> <td>±</td> </tr> <tr> <td>.0</td> <td>±</td> </tr> <tr> <td>.00</td> <td>±</td> </tr> <tr> <td>.000</td> <td>±</td> </tr> </table>		MM	±	.0	±	.00	±	.000	±	SIZE A3 REV T3 08/28/09													
MM	±																						
.0	±																						
.00	±																						
.000	±																						
ANGLES ± ° THIRD ANGLE PROJECTION		SHEET 1 OF 1																					

X-ON Electronics

Largest Supplier of Electrical and Electronic Components

Click to view similar products for [Terminals](#) category:

Click to view products by [Degson](#) manufacturer:

Other Similar products are found below :

[HT-13-10](#) [71M-250-32-NB](#) [5909800000](#) [01-2065-1-0216](#) [0190420006](#) [00581P0075](#) [M10-10RX](#) [M10BCK](#) [60205-1](#) [604200-1](#) [60598-1-](#)
[CUT-TAPE](#) [60617-1-C](#) [60873-1](#) [M14-516R/SK](#) [M14-6RSX](#) [M18-8FBX](#) [M18BCK](#) [61314-6-C](#) [61987-1](#) [61-S](#) [61-SN](#) [61-SN-A](#) [62149-1](#) [62-](#)
[NBM-A](#) [62-SN](#) [62-SP](#) [63-S](#) [640179-1](#) [640917-2-CUT-TAPE](#) [6501550002](#) [66107-2-C](#) [66107-4-C](#) [696683-1](#) [696834-1](#) [696861-1](#) [696931-1](#)
[696999-1](#) [M8-516RK](#) [M86700006](#) [MA250DMFMX-A](#) [701-2007](#) [701-7761-03](#) [70F-110-32-PB](#) [718-N-A](#) [71M-187-20-NBL](#) [71M-250-32-](#)
[NBL](#) [72F-187-20-NBL](#) [72M-250-32-NBL](#) [7310](#) [73F-250-32](#)