

PROVEN PERFORMANCE

Customers in over 50 countries and in diverse markets and sectors.



Programmable
Logic
Controller

[Kinco PLC Catalog](#)

- K2 PLC
- K5 PLC
- F1-Controller



K2 Series

- 02 Overview of Kinco K2 PLC
- 03 Parameter of Kinco K2 PLC
- 04 Dimension of Kinco K2 PLC

K5 Series

- 05 Overview of Kinco-K5 PLC
- 07 Product List of Kinco-K5 PLC
- 09 I/O Channel Technical Parameter
- 11 CPU Module Specification
- 12 CPU Model Description & Wiring Diagram
- 19 Description of Expansion I/O Module & Wiring Diagram
- 26 Description of Expansion Function Module & Wiring Diagram
- 28 Denomination Rules of K5 PLC
- 29 Order Number
- 30 Programming Software: Kinco Builder
- 31 Installation

F1 Series

- 32 F1-Controller & RP2 Remote I/O Module
- 33 Description of F1-Controller
- 34 Description of RP2 Series CAN Bus Remote I/O Module

Product Features:

K2 series PLC is cost-effective product (without expansion).
K2 is based on K5, but K2 has better performance and lower cost, K2 is product with high cost-performance rate.

Main Features:

- Micro USB for programming and power supplier.
- DIO technic for more applications.
- 4 high speed counters,3 high speed output.
- 2*RS485, max. baudrate 115.2kbps.
- Real time clock.
- Small size to save space.



Transistor type of DIO (DI, DO multiplexing)

- Based on DIO technology, K2 PLC provides some DIO which can be used as digital input or digital output. It doesn't need to configure in software. It will adapt automatically according to the wirings.

USB programming

- K2 provides MicroUSB port for programming(USB2.0).
- The MicroUSB port can be also used as power supply for K2 PLC. It is compatible with common MicroUSB cables.

High speed counter

- K2 provides 4 high speed counters. Every high speed counter can support maximum 32 PV and support 32"CV=PV" interrupts.
- High speed counter support multiple modes: single phase, double phase (up/down), CW/CCW, AB phase(1 multiplication and 4 multiplication).
- Frequency of counters is 10~50KHz.

High speed output

- K2 provides 3 high speed output(Q0.0,Q0.1 and Q0.4). It supports PTO and PWM.
- Output frequency is 10~50KHz.
- The software provides PLS(PWM or PTO), position controlling instructions, PRL0_F(following instructions).

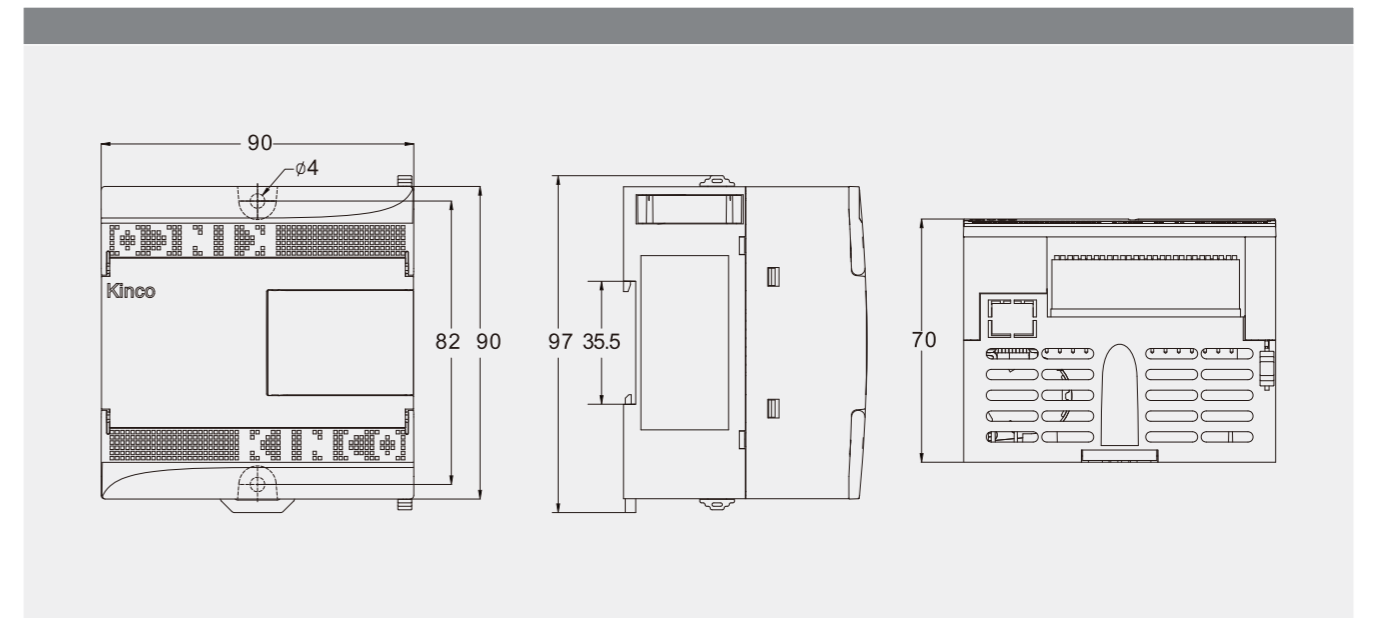
Serial port communication

- K2 provides 2 RS485 communication ports, PORT1 and PORT2. It supports baudrate up to 115.2kbps.
- PORT1 can work as programming port, also supports Modbus RTU protocols(as a slave), free-protocol communication mode.
- PORT2 supports Modbus RTU (as a slave or master) and free-protocol communication mode.

Technical Specifications

| Parameter | K205-16DT | K205-16DR | K205EX-22DT | K205EA-18DT |
|---------------------------------------|---|--------------------|-----------------|-------------|
| Power Supply | | | | |
| Rated Power Supply | DC24V. Note : USB port can be used as power supply. | | | |
| Built-in I/O and Communication | | | | |
| Digital channel | 6*DI, 6*DO, 4*DIO | 6*DI/6*Relay/4*DIO | 8*DI/8*DO/6*DIO | 8*DI/8*DO |
| Analog channel | -- | | | 1*AI/1*AO |
| Expansion modules | -- | | | |
| Programming Port | Micro USB 2.0 | | | |
| Communication Port | 2 RS485, PORT1 and PORT2, Max. baudrate 115.2kbps. PORT1 supports Modbus RTU protocol (as a slave or master) 、 free-protocol communication mode, also can work as programming port. PORT2 supports Modbus RTU protocol (as a slave or master) and free-protocol communication mode. | | | |
| High-speed counters | 4 | | | |
| Single phase | 4, HSC0 and HSC1: Max.50KHz. HSC2 and HSC3: Max. 20KHz. | | | |
| Two phase | 4, HSC0 and HSC1: Max.50KHz. HSC2 and HSC3: Max. 10KHz. | | | |
| High-speed pulse output | 3 Q0.0 and Q0.1: Max.50KHz (The resistor of load must be less than 1.5KΩ). Q0.4: Max.10KHz. | | | |
| I/O Interrupts | 4 rising/falling edge interrupts, I0.0-I0.3. | | | |
| Memory Area | | | | |
| Max. User program | 4K instructions | | | |
| User Data | M area: 1K bytes; V area: 4K bytes | | | |
| DI image area | 2 bytes | | | 1byte |
| DO image area | 2 bytes | | | 1byte |
| AI image area | -- | | | 2byte |
| AO image area | -- | | | 2byte |
| Data Backup | E2PROM , 448 bytes | | | |
| Retentive Ranges | 4K bytes, lithium cell as backup power, 3 years at normal temperature. | | | |
| Others | | | | |
| Timers | 256 1ms time-base : 4 10ms time-base : 16 100ms time-base : 236 | | | |
| Timed interrupts | 2 with 0.1ms time-base | | | |
| Counters | 256 | | | |
| Real-time clock | Yes, deviation less than 3 min/month at 25°C | | | |

Mechanical Dimensions (Unit : mm)



K5 series, as upgraded products of K3 series, close to market, provide diverse functions and higher performance, is a kind of cost-effective micro integrated PLC (Programmable Logic Controller). Kinco-K5 CPU provides special I/O functions (high-speed counter, PTO/PWM output), CANopen master, multiple RS485 ports, integrated analog input and output channels and so on. Equipped with diverse extension modules, Kinco-K5 PLC is applicable to fully meet requirements of small devices and process control. Kinco-K5 combines with MT4000 HMI, CD/FD/JD servo driver and inverter to provide users with easy automation solutions.

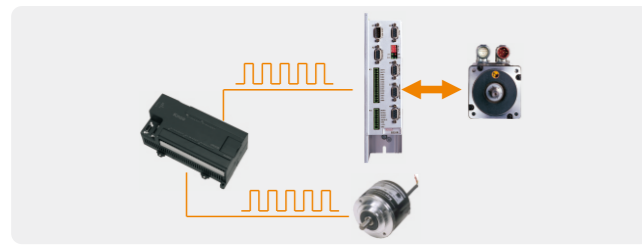
High-speed Counter



Kinco-K5 PLC provides two high-speed counters with 12 different operation modes, supports single phase frequency up to 60KHz and dual-phase (A/B phase) frequency up to 20KHz. In different modes, each counter has its own inputs for clock, direction control, start and reset, and has a 32-bit current value and preset value.

High-speed pulse Output

Kinco-K5 CPU has two built-in pulse generators with frequency up to 200KHz, which support PTO (Pulse Train Output) or PWM (Pulse-Width Modulation). KincoBuilder software provides absolute position, relative position, homing, jog and quick stop instructions and so on. Kinco-K5, combining with stepper or servo system, can realize position control conveniently.



CAN bus Communication Function

CPU module can provide CANopen master and free protocol function by connecting with CAN bus module K541. CANopen master function complies with Standard DS301. It supports baud rate up to 1Mbps, 72 CANopen slave stations, up to 256 TPDOs and 256 RPDOs. Connect K5 with CD/FD/JD/ED series servo via CANopen bus can realize multi-axis motion control easily with simple wiring and high reliability.

Serial Communication Function

Kinco-K5 CPU provides 1 RS232 port and at most 2 RS485 ports, provides Modbus RTU master/slave and free protocol. Via RS485 ports, Kinco-K5 can work as Modbus RTU slave to connect with HMI, configuration software or other master station devices, as well as work as Modbus RTU master to connect with PLC, inverter, instrument, actuator. Each RS485 port support at most 32 devices to be interconnected into a network.



Edge Interrupt Function

Kinco-K5 provides edge interrupt, communication port interrupt, time interrupt, high-speed counter interrupt and so on. Interrupt routine run in real time, not affected by PLC cycle. DI points I0.0-I0.3 on CPU body support edge interrupt function. Kinco-K5 can capture rising/falling edge of DI signal quickly. Time base of the two ways time interrupts is 0.1mS, Kinco-K5 can meet applications of precise timing.

Soft-PID Function

Kinco-K5 provides soft-PID control function by function block(default). User can call at most 4 PID function blocks in program. The PID function block can take AI signal value as the PV value for PID, meanwhile, send PID output value directly to AO module for output.

Various module types

Kinco-K5 series PLCs comprise of CPU modules and expansion modules. Kinco-K5 provides about 20 kinds of models to meet various applications. CPU modules integrate with a certain number of I/O points on body. If I/O points are not enough for application, user could connect up to 10 expansion modules with up to 200 points to meet most automation applications.



In each system, the CPU module is arranged in the leftmost end, and expansion modules are connected to the expansion interface on the right. A cable slot is designed on the left side of each expansion module. The expansion cable can be put in the cable slot to ensure seamless interconnection between modules after installing.

Integrated DC24V Sensor Supply

CPU modules provides DC24V power supply (Terminal name: VO+, VO-), with maximum current 300mA or 500mA. It can supply DC24V for the connected text display panel, HMI, as well as DI points.



K5 series PLC get awards "best competence product"

Requirement on Application Environment

Climatic conditions, electrical service conditions, mechanical service conditions and so on comply with IEC61131-2 standard.

| Transport and storage | | |
|-------------------------------------|--------------------------------------|---|
| Climatic conditions | Temperature | Temperature -40°C ~ +70°C |
| | Relative humidity | 10% ~ 95%, non-condensing |
| | Atmospheric Pressure | Correspond to altitude 0~3000m |
| Mechanical conditions | Free drop | Away from 1m height drop to cement floor for 5 times with transportation package |
| Operation | | |
| Climatic conditions | Temperature | Opening device with natural ventilation, ambient temperature: -10 ~ 55°C |
| | Relative humidity | 10% ~ 95%, non-condensing |
| | Atmospheric pressure | Altitude below 2000m |
| Mechanical service conditions | Pollution degree | Applicable to pollution degree 2 |
| | Vibrations | 5 < f < 8.4Hz, random amplitude: 3.5mm displacement, constant amplitude: 1.75mm displacement 8.4 < f < 150, random amplitude: 1.0g acceleration, constant amplitude: 0.5g acceleration |
| Electromagnetic compatibility (EMC) | Shock | Half-sine, 15g peak, 11ms duration, three shocks in each direction per axis. |
| | Electrostatic discharge | Air: 8kV, Contact: 4kV, Performance criteria B |
| | Surge | AC supply: 2KV CM, 1KV DM DC supply: 0.5KV CM, 0.5KV DM I/O and communication port: 1KV CM Performance criteria B |
| | Fast transient bursts | Power coupling: 2KV, 5KHz I/O and communication port: 1KV, 5KHz Performance criteria B |
| | Voltage Dips and interruptions | AC supply, @50Hz 0%voltage for 1 period, 40%voltage for 10 periods, 70%voltage for 20 periods. Performance criteria A |
| Protection class | Radiofrequency electromagnetic field | 80~1000 MHz, 10V/m, modulate by 1KHz sine wave. Performance criteria A |
| | Dust and water proof | IP20 |
| CE Certification | | |
| LVD | | Test Standard: Safety requirements of EN 61131-2:2007 |
| EMC | | Test Standard: Clause 8,9 &10 of EN61131-2:2007 |



Kinco-K5 series PLCs are upgraded products of K3 series. Specially, K506EA-30AT CPU module, integrated with analog I/O on body, pulse output, high-speed counter, is a kind of versatile micro integrated PLC (Programmable Logic Controller), and can fully meet requirements of small devices and process control. Kinco-K5 combines with MT4000 HMI, CD/FD/JD servo driver and inverter to provide users with easy automation solutions.



| Name | Order no. | Description |
|-------------------|-------------|--|
| CPU module | | |
| CPU504EX | K504EX-14AT | AC85-265V power supply, DI 8*DC24V, DO 6*DC24V. 2 serial communication ports (1*RS232, 1*RS485), up to 4 expansion modules connectable. |
| | K504EX-14AR | AC85-265V power supply, DI 8*DC24V, DO 6*Relay. 2 serial communication ports (1*RS232, 1*RS485), up to 4 expansion modules connectable. |
| | K504EX-14DT | DC20.4-28.8V power supply, DI 8*DC24V, DO 6*DC24V, 2 serial communication ports (1*RS232, 1*RS485), up to 4 expansion modules connectable. |
| | K504EX-14DR | DC20.4-28.8V power supply, DI 8*DC24V, DO 6*Relay. 2 serial communication ports (1*RS232, 1*RS485), up to 4 expansion modules connectable. |
| CPU506 | K506-24AT | AC85-265V power supply, DI 14*DC24V, DO 10*DC24V. 3 serial communication ports (1*RS232, 2*RS485), up to 10 expansion modules connectable. |
| | K506-24AR | AC85-265V power supply, DI 14*DC24V, DO 10* Relay. 3 serial communication ports (1*RS232, 2*RS485) , up to 10 expansion modules connectable. |
| | K506-24DT | DC20.4-28.8V power supply, DI 14*DC24V, DO 10*DC24V. 3 serial communication ports (1*RS232, 2*RS485) . , up to 10 expansion modules connectable. |
| | K506-24DR | DC20.4-28.8V power supply, DI 14*DC24V, DO 10*Relay. 3 serial communication ports (1*RS232, 2*RS485) , up to 10 expansion modules connectable. |
| CPU506EA | K506EA-30AT | AC85-265V power supply, DI 14*DC24V, DO 10*DC24V, AI 4*IV, AO 2*IV. 3 serial communication ports (1*RS232, 2*RS485) , up to 10 expansion modules connectable. |
| | K506EA-30DT | DC20.4-28.8V power supply, DI 14*DC24V, DO 10*DC24V, AI 4*IV, AO 2*IV. 3 serial communication ports (1*RS232, 2*RS485) , up to 10 expansion modules connectable. |
| CPU508 | K508-40AT | AC85-265V power supply, DI 24*DC24V, DO 16*DC24V. 3 serial communication ports (1*RS232, 2*RS485) , up to 10 expansion modules connectable. |
| | K508-40AX | AC85-265V power supply, DI 24*DC24V, DO 4*DC24V+12*Relay. 3 serial communication ports (1*RS232, 2*RS485) , up to 10 expansion modules connectable. |
| | K508-40AR | AC85-265V power supply, DI 24*DC24V, DO 16*Relay. 3 serial communication ports (1*RS232, 2*RS485) , up to 10 expansion modules connectable. |
| | K508-40DT | DC20.4-28.8V power supply, DI 24*DC24V, DO 16*DC24V. 3 serial communication ports (1*RS232, 2*RS485) , up to 10 expansion modules connectable. |
| | K508-40DR | DC20.4-28.8V power supply, DI 24*DC24V, DO 16*Relay. 3 serial communication ports (1*RS232, 2*RS485) , up to 10 expansion modules connectable. |

Note: CPU modules with relay output (The last letter of order No. is "R", for example K506-24AR) do not support pulse output.

| Name | Order no. | Description |
|----------------------------------|-----------|---|
| Expansion I/O module | | |
| PM521 | K521-08DX | DI 8*DC24V |
| | K521-16DX | DI 16*DC24V |
| PM522 | K522-08XR | DO 8*relay |
| | K522-16XR | DO 16*relay |
| | K522-08DT | DO 8*DC24V |
| PM523 | K522-16DT | DO 16*DC24V |
| | K523-16DR | DI 8*DC24V , DO 8*relay |
| | K523-08DR | DI 4*DC24V , DO 4*relay |
| | K523-16DT | DI 8*DC24V , DO 8*DC24V |
| PM531 | K523-08DT | DI 4*DC24V , DO 4*DC24V |
| | K531-04IV | 4 analog input channels , 4-20mA/1-5V/0-20mA/0-10V |
| | K531-04RD | PT100, PT1000, Cu50, Resistor |
| PM532 | K531-04TC | 4 thermocouple input channels, internal/external compensation selectable, J type, K type, E type, S type |
| | K532-02IV | 2 analog output channels , 4-20mA/1-5V/0-20mA/0-10V |
| PM533 | K533-04IV | 2 analog input channels , 4-20mA/1-5V/0-20mA/0-10V 2 analog output channels , 4-20mA/1-5V/0-20mA/0-10V |
| Expansion function module | | |
| SM541 | K541 | CAN communication expansion module, supports CANopen master and CAN free protocol. |
| Power supplier module | | |
| PS580 | K580 | Input voltage:AC85~265V;output rated current:5V 1A/24V 250mA |

Kinco-K5 provides common I/O types, main parameters of each I/O type are shown in the following tables.

DI channel parameter

| | |
|--|--|
| Input type | Source/Sink optional |
| Input voltage | Rated DC24V, allowable maximum DC30V |
| Rated input current | 3.5mA@24VDC |
| Minimum input voltage of logic 1 | Normal channel: 11V@2.0mA; High-speed channel: 18V@2.5mA |
| Maximum input voltage of logic 0 | 5V@0.7mA |
| Input delay | Common channel 12 μs; High-speed channel 8 μs |
| <ul style="list-style-type: none"> off-to-on on-to-off | Common channel 40 μs; High-speed channel 12 μs |
| Isolation between input and internal circuit | Opto-electrical isolation |
| <ul style="list-style-type: none"> Mode Voltage | 500VAC/1minute |

DO channel parameter (Transistor Type)

| | |
|--|---|
| Output type | Source |
| Output voltage | Rated DC24V. Allowable range: DC20.4V—28.8V (Consistent with power supply) |
| Output current per channel | Maximum 500mA @24VDC |
| Parallel connection of output channels | Yes |
| Protection function: | |
| <ul style="list-style-type: none"> Power supply access polarity protection Inductive load protection Short-circuit protection Output reverse polarity protection | Yes Yes Yes Yes, allow applying reverse polarity signal at the output end no more than 10s |
| Isolation between output and internal circuit | Opto-electrical isolation |
| <ul style="list-style-type: none"> Mode Voltage | 500VAC/1minute |

DO channel parameter (Relay Type)

| | |
|--|--|
| Output type | Relay |
| Maximum load voltage | DC 30V/AC250V |
| Maximum allowable load current | 2A (DC 30V/AC250V) |
| Output off-to-on delay | Max. 10ms |
| Output on-to-off delay | Max. 5ms |
| Expected life of the contacts | |
| <ul style="list-style-type: none"> Mechanical life (no-load) Electrical life (rated load) | 12,000 times/min 100 times/min |
| Expected life of the contacts | |
| <ul style="list-style-type: none"> Mechanical life (no-load) Electrical life (rated load) | 20,000,000 times (12,000 times/min) 100,000 times (6 times/min) |
| Output isolation | Relay |
| <ul style="list-style-type: none"> Mode Between coil and contact Between contacts | 2000Vrms 1000Vrms |

AI channel parameter(Current/Voltage Type)

| | |
|--------------------------|--|
| Resolution | 12 bits |
| Measurement accuracy | 0.3% F.S. |
| Signal form | 4~20mA、1~5V、0~20mA、0~10V. Bearable maximum input voltage is DC15V |
| Conversion rate | About 30 times/min. |
| Input impedance | Current mode: <250 Ω Voltage mode: >4M Ω |
| Anti common-mode voltage | (Signal voltage + common-mode voltage) ≤ 12V. Exceed this range, the channel will be in protection state |
| Status indication | The red LED of each channel indicates 4~20mA or 1~5V input signal exceeds measurement range |

AO channel parameter(Current/Voltage Type)

| | |
|------------------------|---|
| Resolution | 12 bits |
| Output signal accuracy | 0.3% F.S. |
| Signal form | 4~20mA、1~5V、0~20mA、0~10V |
| Conversion rate | About 30 times/min. |
| External load | Current mode: <500 Ω Voltage mode: >1K Ω |
| Status indication | No |

RTD channel parameter

| | |
|----------------------|---|
| Signal form | Pt100、Pt1000、Cu50、Resistor |
| Connection | 2-wire or 3-wire |
| Resolution | 24 bits |
| Measurement accuracy | Temperature ± 0.5°C, Resistance ± 1 Ω |
| Input impedance | >1M Ω |
| Status indication | The red LED of each channel indicates input signal exceeds measurement range. |

TC Channel parameter

| | |
|----------------------|--|
| Signal form | J type, K type, E type, S type |
| Compensation | Internal/ external compensation selectable by software |
| Resolution | 24 bits |
| Measurement accuracy | 0.1% F.S. |
| Input impedance | >20K Ω |
| Status indication | The red LED of each channels indicates input signal exceeds measurement range. |

SUMMARY: CPU module is the core of Kinco-K5 series PLCs, which combines a MCU, I/O unit, power supply and kinds of communication interfaces. K5 provides different CPU models to meet varied applications. The following table describes the main specifications of each type of CPU.

| Parameter | CPU504EX | CPU506 | CPU506EA | CPU508 |
|---|--|-------------------------------------|---|---------------|
| I/O and communication port | | | | |
| Built-in digital points | 8*DI / 6*DO | 14*DI / 10*DO | 14*DI / 10*DO | 24*DI / 16*DO |
| Built-in analog points | -- | -- | 4*AI / 2*AO | -- |
| Number of connectable expansion modules | 4 | 10 | 10 | 10 |
| Communication ports | 2, PORT0:RS232, PORT1: RS485 | 3, PORT0: RS232, PORT1、PORT2: RS485 | PORT0 supports programming protocol, Modbus RTU slave, free protocol PORT1/PORT2 support RTU master and slave, free protocol | |
| High-speed counter | 2 | | | |
| Single-phase | 2, Max. 60KHz | | | |
| Dual-phase | 2, Max. 20KHz | | | |
| Pulse output | 2, Max. 200KHz (load should be less than 1.5KΩ, otherwise the maximum frequency will be less than 200KHz.) | | | |
| Memory area | | | | |
| User program memory | Max. 4K steps | | | |
| user data memory | M area 1KB; V area 4KB | | | |
| DI mapping area | 10 bytes (80*DI) | 32 bytes (256*DI) | | |
| DO mapping area | 10 bytes (80*DO) | 32 bytes (256*DO) | | |
| AI mapping area | 32 bytes (16*AO) | 64 bytes (32*AI) | | |
| AO mapping area | 32 bytes (16*DO) | 64 bytes (32*AO) | | |
| Data backup characteristic | FRAM, 448 bytes | | | |
| Data retention characteristic | 4K bytes. Lithium battery, 3 years at normal temperature | | | |
| Others | | | | |
| Timer | 256 1ms time base: 4 10ms time base: 16 100ms time base: 236 | | | |
| Timer interruption | 2, time base: 0.1ms | | | |
| Counter | 256 | | | |
| Real-time clock | Yes, with an error not greater than 2 minutes/month under temperature of 25°C | | | |
| DC24V Output supply | 300mA, short circuit protection | 500mA, short circuit protection | | |

CPU504EX



K504EX-14AT

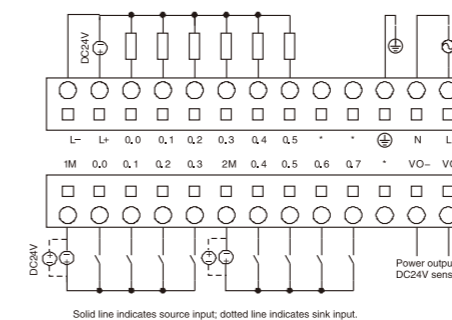
Power supply: AC85–265V power supply
 Built-in I/O points: 14 I/O, DI 8*DC24V, DO 6*DC24V, transistor output
 Communication port: 1 RS232
 Connectable expansion modules: Yes. At most 4 expansion modules
 Real-time clock: Yes
 Installation size(mm): 97 × 114 × 70 (L × W × H)



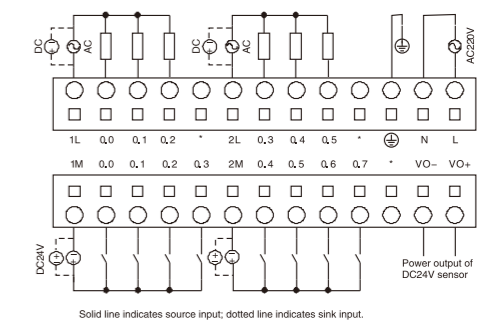
K504EX-14AR

Power supply: AC85–265V power supply
 Built-in I/O points: 14 I/O, DI 8*DC24V, DO 6*Relay, relay output
 Communication port: 1 RS232, 1 RS485
 Connectable expansion modules: Yes. At most 4 expansion modules
 Real-time clock: Yes
 Installation size(mm): 97 × 114 × 70 (L × W × H)

K504EX-14AT



K504EX-14AR



CPU504EX



K504EX-14DT

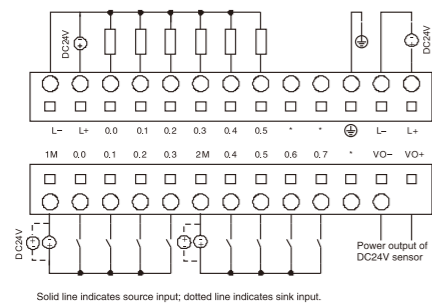
Power supply: DC20.4–28.8V power supply
 Built-in I/O points: 14 I/O, DI 8*DC24V, DO 6*DC24V, transistor output
 Communication port: 1 RS232, support programming, Modbus RTU(slave), free protocol
 Connectable expansion modules: Yes. At most 4 expansion modules
 Real-time clock: Yes
 Installation size(mm): 97 × 114 × 70 (L × W × H)



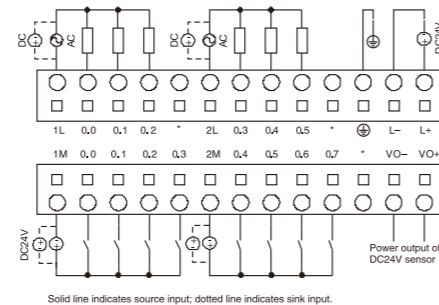
K504EX-14DR

Power supply: DC20.4–28.8V power supply
 Built-in I/O points: 14 I/O, DI 8*DC24V, DO 6*Relay, relay output
 Communication port: 1 RS232, support programming, Modbus RTU(slave), free protocol
 Connectable expansion modules: Yes. At most 4 expansion modules
 Real-time clock: Yes
 Installation size(mm): 97 × 114 × 70 (L × W × H)

K504EX-14DT



K504EX-14DR



CPU506



K506-24AT

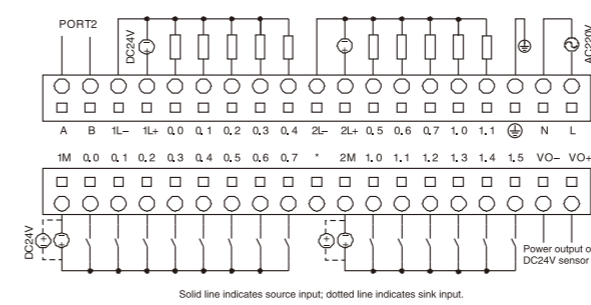
Power supply: AC85–265V power supply
 Built-in I/O points: 24 I/O, DI 14*DC24V, DO 10*DC24V, transistor output
 Communication ports: 1 RS232, 2 RS485
 Connectable expansion modules: Yes. At most 10 expansion modules
 Real-time clock: Yes
 Installation size(mm): 125 × 114 × 70 (L × W × H)



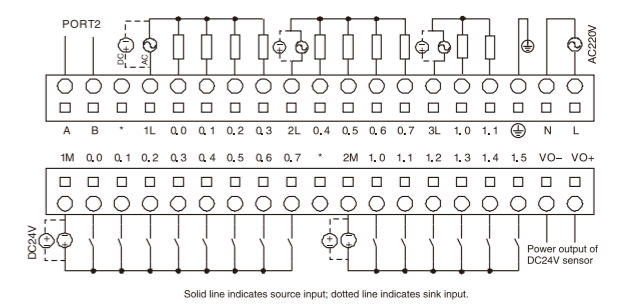
K506-24AR

Power supply: AC85–265V power supply
 Built-in I/O points: 24 I/O, DI 14*DC24V, DO 10*Relay, relay output
 Communication ports: 1 RS232, 2 RS485
 Connectable expansion modules: Yes. At most 10 expansion modules
 Real-time clock: Yes
 Installation size(mm): 125 × 114 × 70 (L × W × H)

K506-24AT



K506-24AR



CPU506



K506-24DT

Power supply: DC20.4–28.8V power supply
 Built-in I/O points: 24 I/O, DI 14*DC24V, DO 10*DC24V, transistor output
 Communication port: 1 RS232, 2 RS485
 Connectable expansion modules: Yes. At most 10 expansion modules
 Real-time clock: Yes
 Installation size(mm): 125 × 114 × 70 (L × W × H)



K506-24DR

Power supply: DC20.4–28.8V power supply
 Built-in I/O points: 24 I/O, DI 14*DC24V, DO 10*Relay, relay output
 Communication port: 1 RS232, 2 RS485
 Connectable expansion modules: Yes. At most 10 expansion modules
 Real-time clock: Yes
 Installation size(mm): 125 × 114 × 70 (L × W × H)

CPU506EA



K506EA-30AT

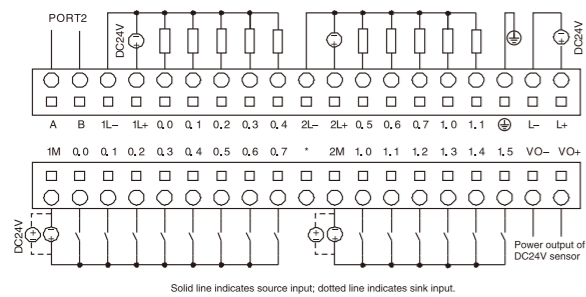
Power supply: AC85–265V power supply
 Built-in I/O points: 30 I/O, DI 14*DC24V, DO 10*DC24V, DO is transistor output,
 AI 4*IV, AO 2*IV,
 AI/AO support 4–20mA/1–5V/0–20mA/0–10V signal forms
 Communication port: 1 RS232, 2 RS485
 Connectable expansion modules: Yes. At most 10 expansion modules
 Real-time clock: Yes
 Installation size(mm): 200 × 114 × 70 (L × W × H)



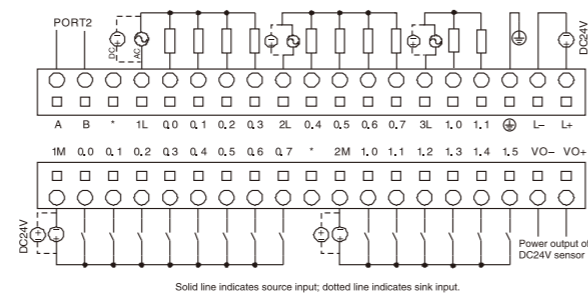
K506EA-30DT

Power supply: DC20.4–28.8V power supply
 Built-in I/O points: 30 I/O, DI 14*DC24V, DO 10*DC24V, DO is transistor output,
 AI 4*IV, AO 2*IV,
 AI/AO support 4–20mA/1–5V/0–20mA/0–10V signal forms
 Communication port: 1 RS232, 2 RS485
 Connectable expansion modules: Yes. At most 10 expansion modules
 Real-time clock: Yes
 Installation size(mm): 200 × 114 × 70 (L × W × H)

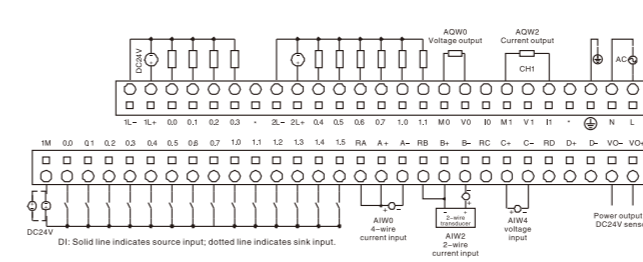
K506-24DT



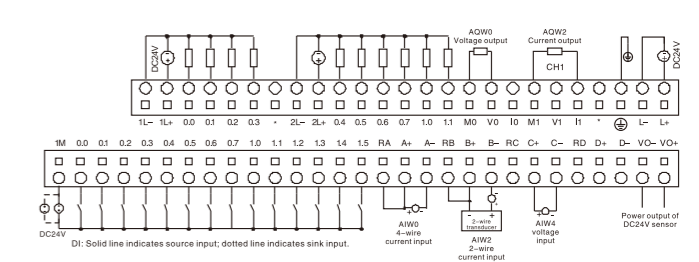
K506-24DR



K506EA-30AT



K506EA-30DT



CPU508

CPU508



K508-40AT

Power supply: AC85–265V power supply
 Built-in I/O points: 40 I/O, DI 24*DC24V, DO 16*DC24V, transistor output
 Communication port: 1 RS232, 2 RS485
 Connectable expansion modules: Yes. At most 10 expansion modules
 Real-time clock: Yes
 Installation size(mm): 200 × 114 × 70 (L × W × H)



K508-40AR

Power supply: AC85–265V power supply
 Built-in I/O points: 40 I/O, DI 24*DC24V, DO 16*Relay, relay output
 Communication port: 1 RS232, 2 RS485
 Connectable expansion modules: Yes. At most 10 expansion modules
 Real-time clock: Yes
 Installation size(mm): 200 × 114 × 70 (L × W × H)



K508-40AX

Power supply: AC85–265V power supply
 Built-in I/O points: 40 I/O, DI 24*DC24V, DO 12*Relay+4*DC24V
 Communication port: 1 RS232, 2 RS485
 Connectable expansion modules: Yes. At most 10 expansion modules
 Real-time clock: Yes
 Installation size(mm): 200 × 114 × 70 (L × W × H)



K508-40DT

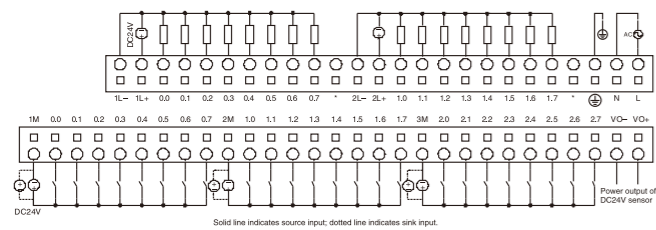
Power supply: DC20.4–28.8V power supply
 Built-in I/O points: 40 I/O, DI 24*DC24V, DO 16*DC24V, transistor output
 Communication port: 1 RS232, 2 RS485
 Connectable expansion modules: Yes. At most 10 expansion modules
 Real-time clock: Yes
 Installation size(mm): 200 × 114 × 70 (L × W × H)



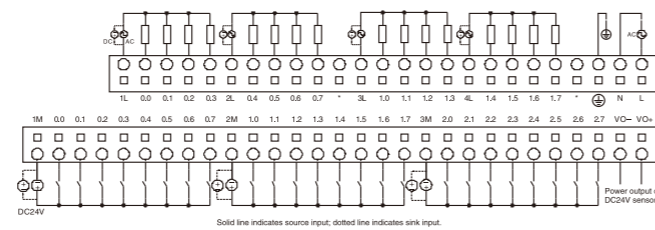
K508-40DR

Power supply: DC20.4–28.8V power supply
 Built-in I/O points: 40 I/O, DI 24*DC24V, DO 16*Relay, relay output
 Communication port: 1 RS232, 2 RS485
 Connectable expansion modules: Yes. At most 10 expansion modules
 Real-time clock: Yes
 Installation size(mm): 200 × 114 × 70 (L × W × H)

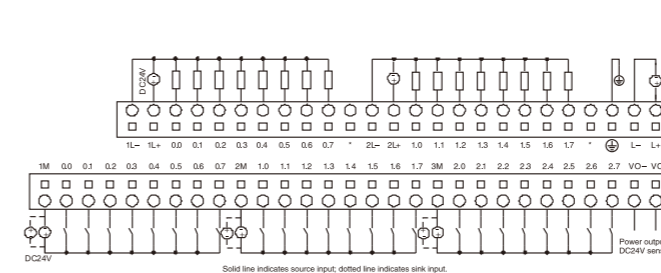
K508-40AT



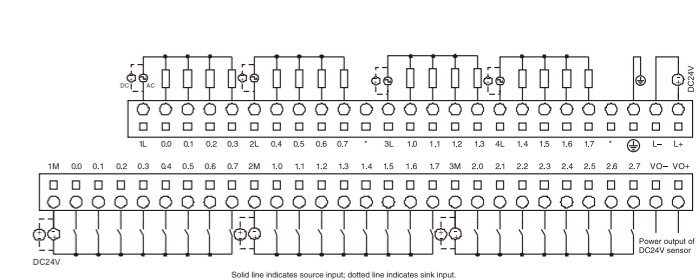
K508-40AR



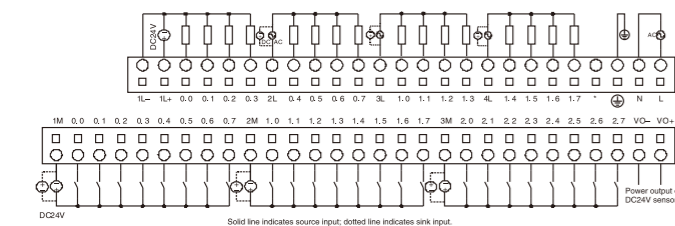
K508-40DT



K508-40DR



K508-40AX



Digital Input Module PM521



K521-08DX

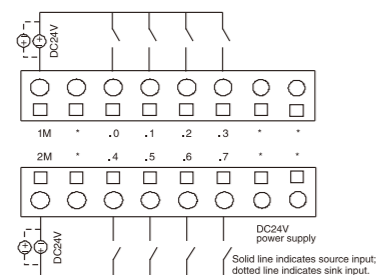
Input points: 8, divided into 2 groups, each group with 4 channels
 Input type: Source (common-cathode)/sink (common-anode)
 Input voltage: Rated DC24V, voltage range of logic "1" is DC11 ~ 30V
 Isolation mode: Opto-electrical isolation between input signal and internal circuit, isolation voltage 500VAC/1 min
 Signal indication: Separated LED indicates for each channel
 Module width: 50mm



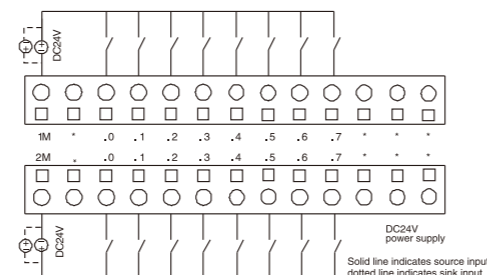
K521-16DX

Input points: 16, divided into 2 groups, each group with 8 channels
 Input type: Source (common-cathode)/sink (common-anode)
 Input voltage: Rated DC24V, voltage range of logic "1" is DC11 ~ 30V
 Isolation mode: Opto-electrical isolation between input signal and internal circuit, isolation voltage 500VAC/1 min
 Signal indication: Separated LED indicates for each channel
 Module width: 75mm

K521-08DX



K521-16DX



Digital Output Module PM522



K522-08DT

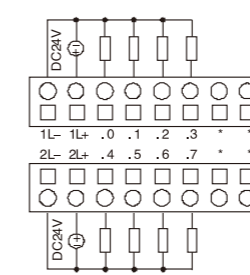
Output points: 8, divided into 2 groups, each group with 4 channels
 Output type: source (common-cathode)
 Output voltage: Rated DC24V, max. output current of each channel is 500mA
 Circuit protection: Power supply access polarity protection, output short-circuit protection, inductive load protection
 Isolation mode: Opto-electrical isolation between input signal and internal circuit, isolation voltage 500VAC/1 min
 Signal indication: Separated LED indicates for each channel
 Module width: 50mm



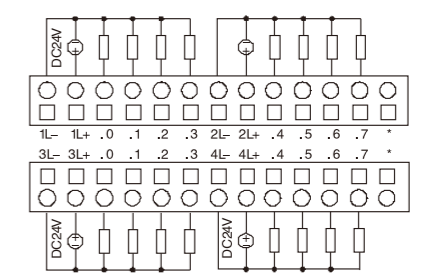
K522-16DT

Output points: 16, divided into 4 groups, each group with 4 channels
 Output type: source (common-cathode)
 Output voltage: Rated DC24V, max. output current of each channel is 500mA
 Circuit protection: Power supply access polarity protection, output short-circuit protection, inductive load protection
 Isolation mode: Opto-electrical isolation between input signal and internal circuit, isolation voltage 500VAC/1 min
 Signal indication: Separated LED indicates for each channel
 Module width: 75mm

K522-08DT



K522-16DT



Digital Output Module PM522



K522-08XR

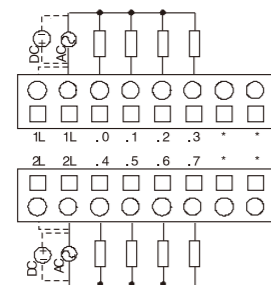
Output points: 8, divided into 2 groups, each group with 4 channels.
 Output type: source (common-cathode).
 Load voltage: Max. DC30V/AC250V, max. load current of each channel is 2A.
 Isolation mode: Opto-electrical isolation between coil and contact,
 isolation voltage 2000Vrms.
 Signal indication: LED indicates for each separated channel.
 Module width: 50mm.



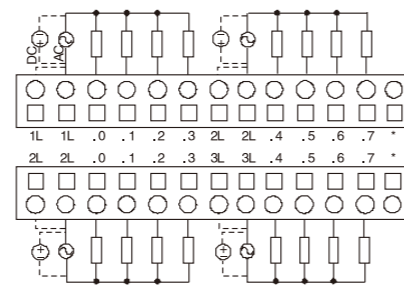
K522-16XR

Output points: 16, divided into 4 groups, each group with 4 channels.
 Output type: source (common-cathode).
 Load voltage: Max. DC30V/AC250V, max. load current of each channel is 2A.
 Isolation mode: Opto-electrical isolation between coil and contact,
 isolation voltage 2000Vrms.
 Signal indication: Separated LED indicates for each channel.
 Module width: 75mm.

K522-08XR



K522-16XR



Digital Input/output Module PM523



K523-08DR

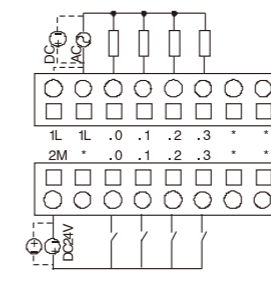
Input point: 4, totally classified into 1 group
 Input type: Source (common-cathode)/sink (common-anode)
 Input voltage: Rated DC24V, voltage range of logic "1" is DC11 ~ 30V
 Output point: 4, totally classified into 1 group
 Output type: Relay
 Load voltage: Max. DC30V/AC250V, max. load current of each channel is 2A
 Isolation mode: DI channels adopt opto-electrical isolation,
 DO channels adopt relay isolation
 Signal indication: Separated LED indicates for each channel
 Module width: 50mm



K523-16DR

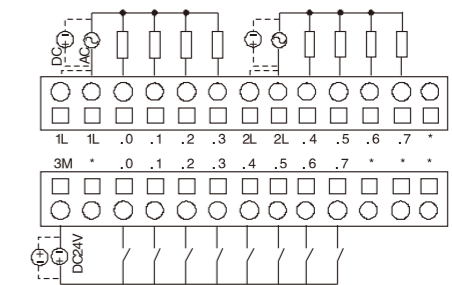
Input point: 8, totally classified into 1 group
 Input type: Source (common-cathode)/sink (common-anode)
 Input voltage: Rated DC24V, voltage range of logic "1" is DC11 ~ 30V
 Output point: 8, divided into 2 groups, each group with 4 channels
 Output type: Relay
 Load voltage: Max. DC30V/AC250V, max. load current of each channel is 2A
 Isolation mode: DI channels adopt opto-electrical isolation,
 DO channels adopt relay isolation
 Signal indication: Separated LED indicates for each channel
 Module width: 75mm

K523-08DR



Solid line indicates source input; dotted line indicates sink input.

K523-16DR



Solid line indicates source input; dotted line indicates sink input.

Digital Input/output Module PM523



K523-08DT

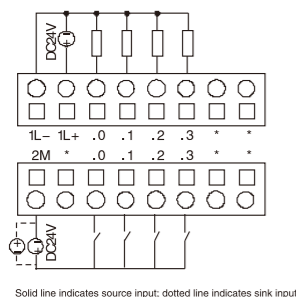
I/O point: 8, DI 4*DC24V, DO 4*DC24V
 Input type: Source (common-cathode)/sink (common-anode)
 Input voltage: Rated DC24V, voltage range of logic "1" is DC11 ~ 30V
 Output type: Transistor
 Output voltage: Rated DC24V, max. output current of each channel is 0.5A
 Isolation mode: Opto-electrical isolation
 Signal indication: Separated LED indicates for each channel
 Module width: 50mm.



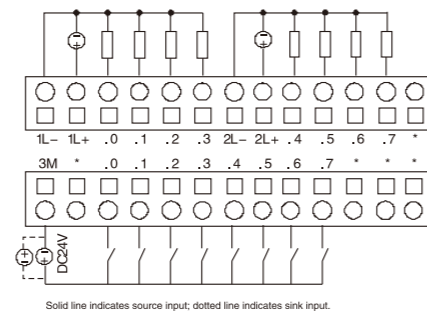
K523-16DT

I/O point: 16, DI 8*DC24V, DO 8*DC24V
 Input type: Source (common-cathode)/sink (common-anode)
 Input voltage: Rated DC24V, voltage range of logic "1" is DC11 ~ 30V
 Output type: Transistor
 Output voltage: Rated DC24V, max. output current of each channel is 0.5A
 Isolation mode: Opto-electrical isolation
 Signal indication: Separated LED indicates for each channel
 Module width: 75mm

K523-08DT



K523-16DT



Analog Input Module PM531



K531-04IV

Input channel: 4
 Input signal: 4~20mA, 1~5V, 0~20mA, 0~10V signals are optional
 Measurement accuracy: 0.3% F.S
 Parameter configuration: Parameters of each channel can be configured by KincoBuilder software separately
 Signal limitation: Signal limitation: Input current of each channel shall not exceed 24mA, input voltage shall not exceed 12V
 Error indication: Red LED of each channel indicates input signal exceeds measurement range
 Module width: 50mm



K531-04RD

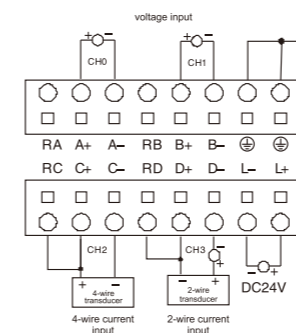
Input channel: 4
 Input signal: Pt100, Cu50, Pt1000, Cu100, Resistor are selectable, 2-wire or 3 wire
 Measurement range: Pt 100 -200~850°C, Cu50 -50~150°C, Pt1000 -50~300°C, Resistor 0~2000Ω
 Measurement accuracy: Temperature ±0.5°C, Resistance ±1Ω
 Parameter configuration: Independent parameter configuration can be made for each channel by KincoBuilder software
 Error indication: Red LED of each channel indicates input signal exceeds measurement range
 Module width: 50mm



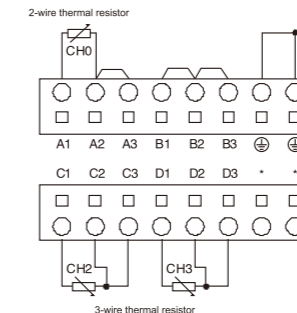
K531-04TC

Input channel: 4
 Input signal: J type, K type, E type, S type, internal/external compensation selectable
 Measurement range: J type -210~1200°C, K type -270~1300°C, E type -120~1000°C, S type -50~1600°C
 Measurement accuracy: 0.1%F.S.
 Parameter configuration: Independent parameter configuration can be made for each channel by KincoBuilder software
 Error indication: Red LED of each channel indicates input signal exceeds measurement range
 Module width: 50mm

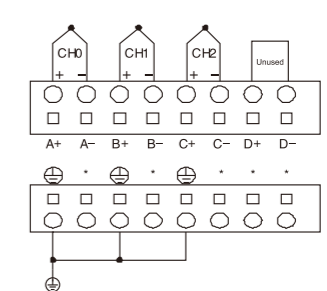
K531-04IV



K531-04RD



K531-04TC



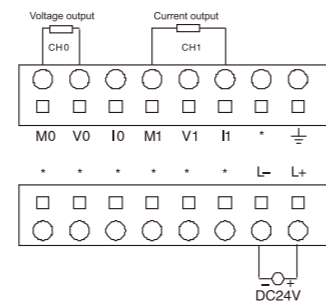
Analog Output Module PM532



K532-02IV

Output channel: 2
 Signal type: 4–20mA, 1–5V, 0–20mA, 0–10V signals are optional
 Output accuracy: 0.3%F.S.
 Parameter configuration: Parameters of each channel can be configured by Kincobuilder software separately
 Signal limitation: The value of output channel is not allowed to exceed chosen range
 Module width: 50mm

K532-02IV



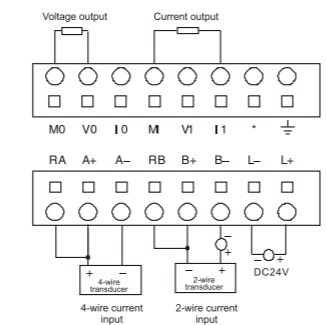
Analog Input/output Module PM533



K533-04IV

Input channel: 2. 4–20mA, 1–5V, 0–20mA, 0–10V signals are optional
 Measurement accuracy: 0.3% F.S
 Output channel: 2. 4–20Ma, 1–5V, 0–20mA, 0–10V signals are optional
 Output accuracy: 0.3%F.S.
 Parameter configuration: Parameters of each channel can be configured by Kincobuilder software separately
 Signal limitation: Input current of each channel shall not exceed 24mA, input voltage shall not exceed 12V
 The value of output channel is not allowed to exceed chosen range
 Error indication: Red LED of each channel indicates input signal exceeds measurement range

K533-04IV



CAN Communication Module SM541



K541

Function: CANopen master station and CAN free protocol communication
 Communication baudrate: Support 10K~1Mbps
 Electrical isolation: Power supply, communication circuit are separated from external, Isolation voltage is max. 2500VAC/1 min.
 Signal indication: Separated LED indicates power, working status, communication status.
 Module width: 50mm

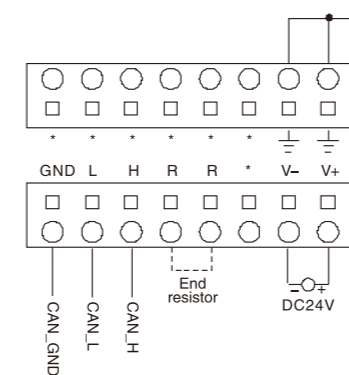
Specification of CANopen master station

- Adopt CAN2.0 standard. Comply with standard CANopen protocol DS301 V4.2.0;
- Support NMT(Network management), and as NMT master;
- support up to 72 CANopen slave stations. Users could configurate boot-up by KincoBuilder;
- Support PDO: each slave station support up to 8 TPDOs and 8 RPTOs; Up to 256 TPDOs and 256 RPDOs in total;
- Support client-end CANopen message, provide SDO read, write: SDO instructions support standard accelerated transfer mode;
- Support preset emergency message, node protection, heartbeat message;
- With perfect network error handling function.

Specification of CAN free protocol communication

- Support CAN2.0A and CAN2.0B standard;
- Support standard communication baudrate up to 10K~1Mbps;
- Provide CAN_Write, CAN_Read, CAN_Rx and so on free communication instructions.

K541



Expansion Power Supplier Module **PS580**

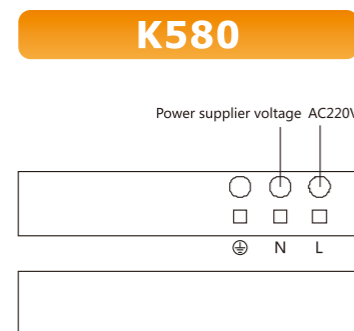


K580

Voltage: AC85–265V
 Output rated current: 5V 1A/24V 250mA
 Signal display: PW light will be on when the power supplier is correct.
 Module width: 75mm

Main Features:

- PS580 doesn't need to configure in software.
- PS580 doesn't use the address of I/O image area.
- PS580 won't be counted as CPU expansion module.
- If the expansion modules is over 7 pieces, we suggest to use PS580.



A "Product name" is determined according to the following principle:

Module type + 5 + Sub-type + Serial number

Where:

Module type: expressed in the following English letters:

- CPU** main control module
- PM** expansion I/O module
- SM** expansion function module
- SW** software
- AS** accessories
- PS** expansion Power Supplier Module

5: indicates Kinco-K5 series compact and integrated PLCs.

Sub-type: One of digits 0~9 is used to indicate the sub-type of a module.

- 0** CPU module
- 1** Resered
- 2** Digital data module
- 3** Analog data module
- 4** Communication module
- 6** System software
- 7** Accessories
- 8** Power module

Serial number: One of digits 0~9 is used to indicate the serial number of a sub-type. The serial numbers in each sub-type are defined as follows:

CPU module
4 indicates the CPU has 14 I/O channels
6 indicates the CPU has 24 I/O channels
8 indicates the CPU has 40 I/O channels

Digital data module
1 indicates digital input module
2 indicates digital output module
3 indicates mixed digital input/output module

Analog data module
1 indicates analog input data
2 indicates analog output data
3 indicates mixed analog input/output module

Communication module
0 indicates serial communication module
1 indicates CAN bus communication module

System software
0 indicates programming software

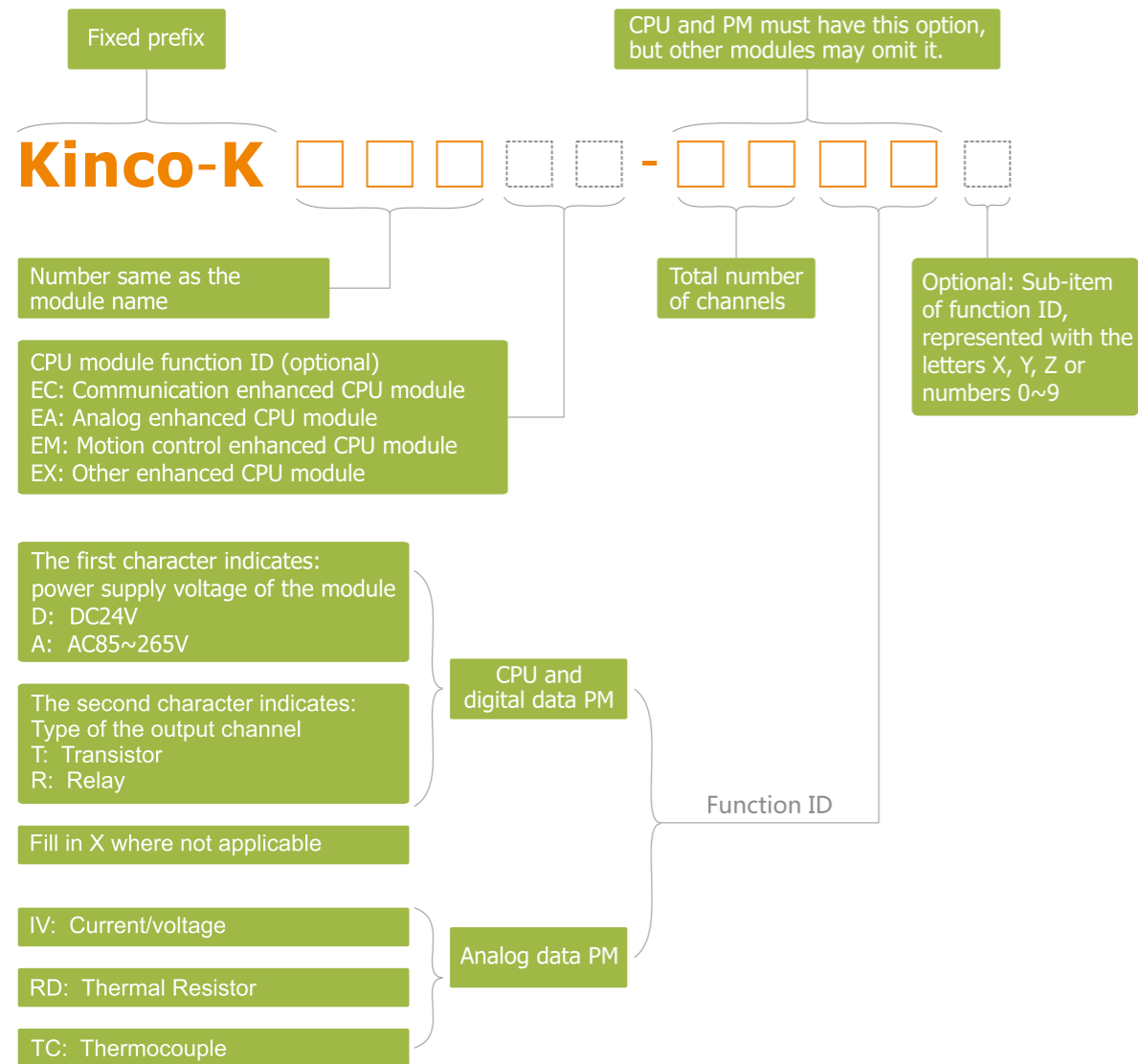
Software and accessories
0 indicates programming cable

Based on the above principle, **CPU506** indicates a CPU module with 24 I/O channels; **PM521** indicates an expansion digital input module; **AS360** indicates the KincoBuilder programming software, and so on.

Different from the "product name", each product(module) has a unique"order number". To order, a user only needs to tell us the order number for the necessary product. The "order number" of a product is defined according to the following principles:

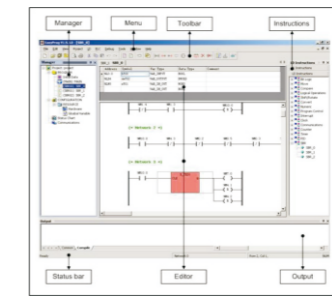
Order number:

Kinco-K + Module ID + Feature Code

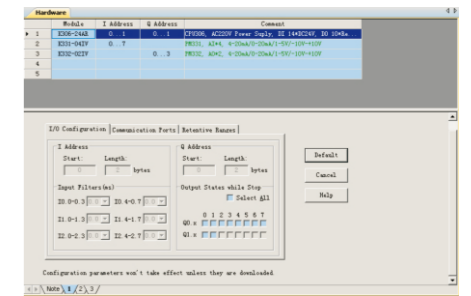


KincoBuilder is the programming software for the Kinco-K5. It complies with IEC61131-3 standard and is also compatible with PLC tradition, and its project architecture complies with the IEC61131-3 software model. It supports IL(instruction list) and LD(ladder diagram) languages, including 114 basic instructions and 420 expansion instructions. Meanwhile, it supports a number of special functions, such as interrupt (I/O interrupt, communication interrupt and time interrupt), and special I/O functions (high-speed counter, PTO/PWM output, etc.) Therefore, it is application to control applications in a diversity of fields.

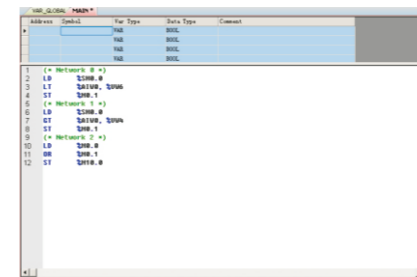
By KincoBuilder, users could monitor online, force variable, program update(3-level password protection), check diagnosis information and so on. The windows style interface facilitate users to manage program, and by workplace and tool bar to realize quick operation, for example add, delete, debugging, cross reference, print and backup.



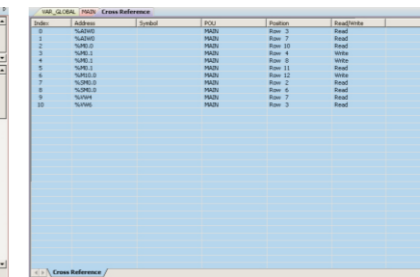
LD Editor and Online Monitoring



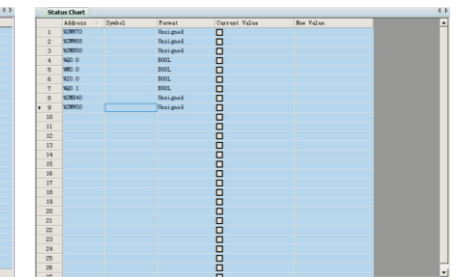
Hardware Configuration



IL Editor



Cross Reference Table



Variable Status Table

Data Type Supported by KincoBuilder

| Category | Keyword | Description | Size in bits | Default Value |
|----------------------|---------|------------------------|--------------|---------------|
| BOOL/bit string type | Bool | Boolean | 1 | false |
| | Byte | Bit string of length 8 | 8 | 0 |
| | Word | 16-bit string | 16 | 0 |
| | Dword | 32-bit string | 32 | 0 |
| Numeric type | Int | Integer, signed | 16 | 0 |
| | Dint | Double integer, signed | 32 | 0 |
| | Real | Real | 32 | 0.0 |

(KincoBuilder software is free, users could download the newest version from company website www.kinco.cn)

Based on the above principles, **Kinco-K506-24DT** indicates a CPU module with DC24V power supply and 24 I/O channels (where the output channel type is a transistor), and **Kinco-K521-08DX** indicates an expansion module with 8*DC24V digital input channels.

Installation Mode

Two modes can be used to install a Kinco-K5 into a control cabinet:

1. **DIN rail clamping**
2. **M4 screw installation**

Upon installation, the module can either be horizontally or vertically arranged, or even a lengthened extension cable can be used for connection if the CPU module and extension module needs distributed installation in the case of nocentralized space in the control cabinet.

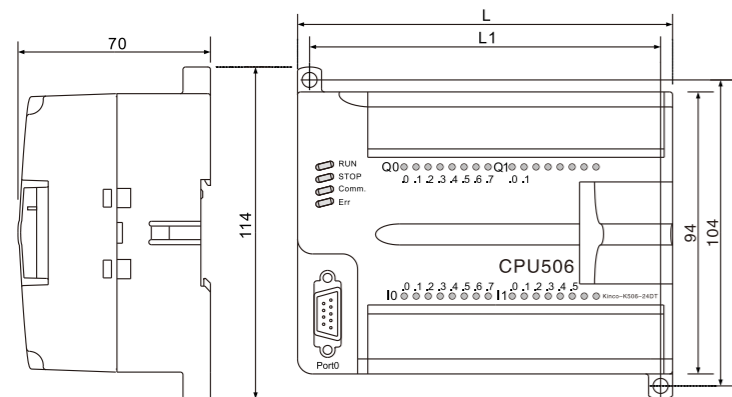


Wiring Connecting Terminal

The K5 series PLC is designed with pluggable terminal blocks to facilitate wiring.



Installation Diagram for Modules of Different Dimensions



Size of module installation hole (hole diameter:4.2mm)

- If L=200mm, L1=190mm
- If L=125mm, L1=115mm
- If L=97mm, L1=87mm
- If L=75mm, L1=65mm
- If L=50mm, L1=40mm

For dimensions of each module, refer to the module performance parameters table.

Kinco F1-Controller



F122-D1608T controller is a new member of Kinco CAN bus solution family, it is integrated with 3S company's software called CoDeSys which has a strong function and stable performance. It uses the standard CANopen communication protocol, so it can connect with the devices that support this protocol freely. Combining with Kinco's other bus products, it can provide customer a low cost system solution.

Kinco F1-Controller

- **F122-D1608T**

Kinco RP2 I/O



Kinco RP2 I/O module is a new member of Kinco CAN bus solution family. It adopts standard CANopen communication protocol, then can communicate with most devices that support this protocol. Combining with Kinco other CANopen bus products, it can provide users with a low cost system solution.

Kinco RP2 I/O

- **RP2D-1608C1**
- **RP2D-0016C1**
- **RP2A-0402C1**

Features :

1. High performance CPU

- High performance CPU of 32 bits 520MHz RISC;
- Excellent in processing the Boolean data and easy to operate the integer and float data;
- Use the multi-task operation system(Main task, fast task and event task), the processing of millisecond timescale task will be very simple, you can regulate it according to the application, and needn't consider other factors.

2. Strong developing function

- Use the Codesys software of German 3S Company to program. Which is the most famous company for PLC core software development;
- Provide 6 IEC programming languages, graphical programming tool, senior online help and amount of data inputting help guide. You can test the program in the simulator after developing. Users can customize library functions, all the commonly functions are appear in fixed form to reduce the user's programming time and difficulty;
- Support remote downloading/monitoring, it is easy for users to remote debugging.

3. Perfect hardware protection measures

- Short-circuit protection for power supply, the module use resettable fuse, it can reset itself after the module got a short-circuit.
- Short-circuit protection for inputting, digital input module use

resettable fuse, it can break when the input gets a short cut, and when the short-circuit recovers, it can reset itself, so that protect the input circuit from burning out.

4. CANopen bus communication ability

Support CANopen 2.0 protocol that is defined by the CIA organization, so it can communicate with devices which support this protocol, like remote I/O module, servo, inverter, meter and so on. It can apply to various production lines, mechanical equipments, intelligent buildings and so on.

5. Support various communication speed

Satisfy various application situations, support the followings baud rates: 10k/20k/50k/125k/250k/500k/800k/1M

6. Perfect CANopen software function

- Support the NMT message
- Support the Node Protection message
- Support the Heart beat message

7. Perfect PDO communication mode

- Support asynchronous communication mode
- Support synchronous message communication mode, real time of data exchanging is very high.

Model Parameters

| Model | F122-D1608T |
|---------------------------------|--|
| Software Technical Data | |
| Scanning Period | Min.1ms |
| Program Capacity | 2M |
| Execution Speed | Arithmetic operation time for integers: min 3.4μs/1000AWL Arithmetic operation time for floating points: min 0.13ms/1000AWL Arithmetic operation time for triangle function: min 6.0ms/1000AWL |
| Programming Language | According with the IEC61131-3 standard |
| Com Port | 2 CAN ports, 1 Ethernet port, 2 serial ports(RS232, RS485) |
| Communication Protocol | CANopen 2.0A |
| Syncho Message | Support |
| Nmt Message | Support |
| Pdo Communication | Asynchronous, synchronous and remote requests |
| Baud Rate(bps) | 10K(1,000 m)/20K(800 m)/50K(600 m)/125K(500m)/250K(250m)/500K(100m)/800K(50 m)/1M(25 m) |
| Station Number | 1-127 |
| Hardware Technical Data | |
| Power Supply | Rated: +24V/1A, (<+20V<U<+30V), Reset itself, the longest time for losing electric is 10ms |
| Can Power Supply | Provide power by internal +5V power supply itself |
| Digital Input/Output | 16DI\8DO |
| Digital Input Type | Photoelectric isolation, supports both low and high level |
| Digital Output Type | Photoelectric isolation, Transistor high level output, the maximum output current is 500mA; Over current protection (Recover by itself) |
| Voltage Range Of Digital Output | ±24V (15~36VDC), Input current>3mA |
| Digital Output Frequency | 1KHz@24V500mA |
| Operating Temperature | -10°C~55°C |
| Storage Temperature | -20°C~70°C |



Features :

1. CANopen bus communication ability

RP2 I/O module is base on CAN bus communication. The application layer adopt CANopen protocol defined by CIA, and complies with DS301(communication subordinate protocol) and DS401(I/O module communication subordinate protocol). These modules can communicate with most controllers, inverters, servo and so on. It is very suitable for applications of various production lines, mechanical devices, building automation and so on.

2. Flexible multiple nodes networking

RP2 I/O module has 7 IP DIP switches, up to 127 RP2 modules can be configured in CAN network. It is very suitable for wide range of distributed data acquisition system.

3. Support various communication speed

Satisfy various application situations, support the following baudrate: 20K/50K/125K/250K/500K/800K/1M.

4. Perfect hardware protection measures

- Short-circuit protection for power supply: the module use resettable fuse, it can reset itself after the module got a short-circuit.
- Short-circuit protection for output, digital output module use resettable fuse, it can break when the output gets a short-circuit, and when the short-circuit recovers, it can reset itself, so that protect output circuit from burning out.

5. Perfect CANopen software function

- Support the NMT message;
- Support the Node protection message/Heart beat message;
- Support master station configures the boot-up of RP2 module;
- Send message when power up/down.

6. Perfect PDO communication mode

- Support asynchronous communication mode;
- Support synchronous message communication mode, real time of data exchanging is very high;
- Support remote communication request.

Model Parameters

| Model | RP2D-1608C1 | RP2D-0016C1 | RP2A-0402C1 |
|---------------------------------|--|--|-----------------|
| Software Technical Data | | | |
| Communication Protocol | CANopen 2.0A, comply to DS301 and DS401 protocols | | |
| Syncho Message | Support | | |
| NMT Message | Support | | |
| PDO Communication | Asynchronous, synchronous and remote requests | | |
| Baud Rate(bps) | 20K(800m)/ 50K(600m)/ 125K(500m)/ 250K(250m)/ 500K(100m)/ 800K(50m)/ 1M(25m) | | |
| Station Number | 1-127 | | |
| Hardware Technical Data | | | |
| Power Supply | ≥300mA, 20V~28V | | |
| CAN Power Supply | Provide power by internal +5V power supply itself | | |
| Digital Input/output | 16DI\8DO | 0DI\16DO | — |
| Analog Input/output | — | — | 4AI\2AO |
| Digital Input Type | Photoelectric isolation, supports both low and high level | — | — |
| Digital Output Type | Photoelectric isolation, NPN open-collector output | Photoelectric isolation, NPN open-collector output | — |
| Voltage Range of Digital Output | 12~24VDC, input current>4mA | — | — |
| Digital Output Frequency | >1KHz | >1KHz | — |
| Analog Input Accuracy | — | — | ≤0.3%F.S. |
| Analog Input Type | — | — | -10~10V, 0~20mA |
| Analog Output Accuracy | — | — | 12bit |
| Analog Output Type | — | — | -10~10V, 0~20mA |
| Operating Temperature | -10°C~55°C | | |
| Storage Temperature | -20°C~70°C | | |



X-ON Electronics

Largest Supplier of Electrical and Electronic Components

Click to view similar products for [Controllers](#) category:

Click to view products by [KINCO](#) manufacturer:

Other Similar products are found below :

[CS1WCN223](#) [CS1WCN713](#) [CS1WKS001E](#) [61F-11NH](#) [61FGPN8DAC120](#) [61F-GP-NT AC110](#) [61F-GPN-V50-AC110](#) [70177-1011](#) [F03-03](#)
[HAS B](#) [F03-03 HAS C](#) [F03-31](#) [81513201](#) [81513535](#) [81550401](#) [FT1A-C12RA-W](#) [88981106](#) [H2CAC24A](#) [R88A-CAGA005S](#) [R88A-](#)
[CRGB003CR-E](#) [R88ARR080100S](#) [R88A-TK01K](#) [DCN1-1](#) [DTB4896VRE](#) [DTB9696CVE](#) [DTB9696LVE](#) [MR-50LF+](#) [E53-AZ01](#) [E53E8C](#)
[E5CWLQ1TCAC100240](#) [B300LKL21](#) [NE1ASCPU02EIPVER11](#) [NE1SCPU01](#) [NE1SDRM21U](#) [NSCXDC1V3](#) [NSH5-232CW-3M](#)
[NT20SST122BV1](#) [NV3Q-SW41](#) [NV4W-ATT01](#) [NV-CN001](#) [OAS-160-N](#) [K31S6](#) [K33-L1B](#) [K3TX-AD31A](#) [L595020](#) [SRS2-1](#) [G32X-V2K](#)
[26546803](#) [26546805](#) [26546831](#) [CJ1W-OD204](#)