

# igubal® Pillow Block - Product range

## KSTM - Pillow block bearing - mm



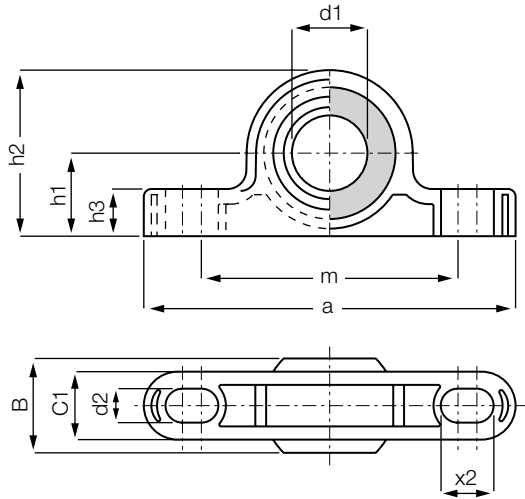
- Maintenance free, dry-running
- High rigidity
- High strength under impact loads
- Compensation of misalignment and edge loads
- Corrosion- and chemical-resistant
- High vibration-dampening
- Suitable for rotating, oscillating and linear movements
- Lightweight

### Dimensions [mm]

Part No.	d1 [E10]	B	C1	h1	h2	m	a	h3	d2	X2	Max. pivot angle
KSTM-05	5	8	6.0	7	14	25	34	4	3.3	4.6	30°
KSTM-06	6	9	7.0	10	18	33	43	5.5	4.5	6	29°
KSTM-08	8	12	9.0	10	20	33	47	6	4.5	7	25°
KSTM-10	10	14	10.5	14	26	46	62	7.5	5.5	8	25°
KSTM-12	12	16	12.0	14	28	46	65	8.5	5.5	9	25°
KSTM-14	14	19	13.5	18	34	60	82	9.5	6.6	11	23°
KSTM-16	16	21	15.0	18	36	60	86	10.5	6.6	12	23°
KSTM-18	18	23	16.5	22	42	68	93	11.5	9.0	13	23°
KSTM-20	20	25	18.0	22	44	68	98	13	9.0	14	23°
KSTM-22	22	28	20.0	24	48	74	108	14	9.0	16	22°
KSTM-25	25	31	22.0	27	54	86	124	16	9.0	17	22°
KSTM-30	30	37	25.0	32	64	96	139	17	11.0	20	22°

# igubal® Pillow Block - Product range

## KSTM - Pillow block bearing - mm



### Order key

Type Size

**K ST M - 05**

Dimensional K series

Pillow block bearing

Metric

Inner-Ø [inch]  
Based on 1/16"



### Material:

Housing: **igumid G** ▶ Page 1373  
Spherical ball: **iglide® L280 (W300)\***

### Technical data

Part No.	Max. static tensile strength		Max. axial static compressive strength	Max. torque for longitudinal holes	Weight
	Short term	Long term			
	[lbs]	[lbs]	[lbs]	[ft lbs]	[g]
KSTM-05	157	78	67	0.4	1.7
KSTM-06	247	123	67	1.0	2.9
KSTM-08	292	146	89	1.0	4.6
KSTM-10	337	168	112	1.8	8.6
KSTM-12	494	247	134	1.8	11.8
KSTM-14	539	269	134	3.3	18.4
KSTM-16	674	337	224	3.3	23.7
KSTM-18	786	393	269	7.7	32.2
KSTM-20	1056	528	292	7.7	40.0
KSTM-22	1371	685	314	7.7	54.0
KSTM-25	1483	741	359	7.7	75.3
KSTM-30	1820	910	472	15.9	116.8

The maximum torques for longitudinal holes correspond to the permissible torque of the fixing screws (fixing category 5.8).

\*W300 is the European material equivalent for iglide® L280.

## X-ON Electronics

Largest Supplier of Electrical and Electronic Components

*Click to view similar products for [Other Tools](#) category:*

*Click to view products by [Igus](#) manufacturer:*

Other Similar products are found below :

[CR-05FL7--150R](#) [CR-05FL7--698K](#) [899-2-KT46](#) [899-5-KT46](#) [CR-0AFL4--332K](#) [CR-12FP4--260R](#) [5718X-01PD-19RO](#)  
[CRCW04021100FRT7](#) [CRCW04021961FRT7](#) [5800-0090](#) [CRCW04024021FRT7](#) [CRCW040254R9FRT7](#) [CRCW0603102JRT5](#) [59065-5](#) [00-8273-RDPP](#) [00-8729-WHPP](#) [593033](#) [593058](#) [593072](#) [593564100](#) [593575](#) [593591](#) [593593](#) [LTI LA506SBLAMNBL](#) [CRCW08052740FRT1](#)  
[LUC-012S070DSM](#) [LUC-018S070DSP](#) [599-2021-3-NME](#) [599-JJ-2021-03](#) [00-5080-YWPP](#) [5E4750/01-20R0-T/R](#) [LW1A-L1-GD](#) [LW1A-L1-GL](#) [LW1A-P1-GD](#) [LW1L-A1C10V-GL](#) [LW1L-M1C70-A](#) [0202-0173](#) [00-9089-RDPP](#) [CRCW2010331JR02](#) [01-1003W-8/32-10](#) [601-GP-08-KT39](#) [601-JJ-06](#) [601-SPB](#) [601YSY](#) [602-JJ-03](#) [602SPB](#) [602Z](#) [603-JJ-07-FP](#) [603-JJY-04](#) [604J](#)