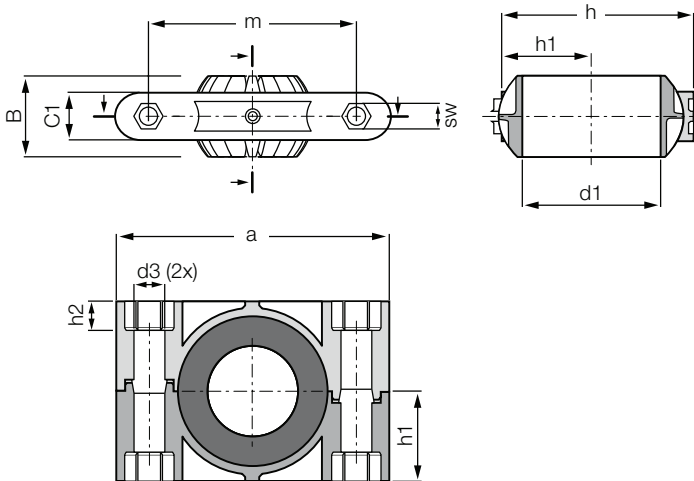


Pillow block bearing with split housing: KSTM-GT



- Fitting is easy and does not require shaft removal
- Maintenance-free, dry-running
- For high static loads
- Mounting: M12

Order key

Type	Size [mm]	Version
------	-----------	---------

K S T M - G T 4 0 - G T

Dimensional series K	Pillow block bearing	Metric	Split housing	Inner Ø	Split ball
----------------------	----------------------	--------	---------------	---------	------------

- Material:**
Housing: RN33 ▶ Page 1498
Spherical ball: iglidur® J ▶ Page 141

- Lifetime calculation online**
▶ www.igus.eu/igubal-expert

- Low installation space and low weight
- High stiffness and durability
- Predictable service life
- Dimensional series K according to standard DIN ISO 12240

Technical data

Part No.	Max. radial tensile/ compressive strength		Max. axial tensile/ compressive strength		Maximum tightening torque		Weight [g]
	Short-term	Long-term	Short-term	Long-term	through ball	fixing holes	
	[N]	[N]	[N]	[N]	[Nm]	[Nm]	
KSTM-GT35 ²³⁾	11,000	5,500	2,500	1,250	5	15	250.3
KSTM-GT40	11,000	5,500	2,500	1,250	5	15	235.0
KSTM-GT40-GT ²⁴⁾	11,000	5,500	2,500	1,250	5	15	235.0
KSTM-GT45 ²³⁾	15,000	7,500	3,000	1,500	5	20	405.2
KSTM-GT50	15,000	7,500	3,000	1,500	5	20	389.2
KSTM-GT50-GT ²⁴⁾	15,000	7,500	3,000	1,500	5	20	389.2

Dimensions [mm]

Part No.	d1	d3	h	h1	h2	SW	a	m	C1	B	Max. pivot angle
	E10										
KSTM-GT35 ²³⁾	35.0	13.5	79.0	39.5	12.6	19.0	120.5	91.0	29.5	48.5	24°
KSTM-GT40	40.0	13.5	79.0	39.5	12.6	19.0	120.5	91.0	29.5	48.5	24°
KSTM-GT40-GT ²⁴⁾	40.0	13.5	79.0	39.5	12.6	19.0	120.5	91.0	29.5	48.5	24°
KSTM-GT45 ²³⁾	45.0	13.5	100.0	50.0	12.6	19.0	149.0	114.0	35.0	60.0	24°
KSTM-GT50	50.0	13.5	100.0	50.0	12.6	19.0	149.0	114.0	35.0	60.0	24°
KSTM-GT50-GT ²⁴⁾	50.0	13.5	100.0	50.0	12.6	19.0	149.0	114.0	35.0	60.0	24°

²³⁾ Diameter given by iglidur® J bore reducer; ²⁴⁾ Split pillow block with split ball

X-ON Electronics

Largest Supplier of Electrical and Electronic Components

Click to view similar products for [Other Tools](#) category:

Click to view products by [Igus](#) manufacturer:

Other Similar products are found below :

[CR-05FL7--150R](#) [CR-05FL7--698K](#) [899-2-KT46](#) [899-5-KT46](#) [CR-0AFL4--332K](#) [CR-12FP4--260R](#) [5718X-01PD-19RO](#)
[CRCW04021100FRT7](#) [CRCW04021961FRT7](#) [5800-0090](#) [CRCW04024021FRT7](#) [CRCW040254R9FRT7](#) [CRCW0603102JRT5](#) [59065-5](#) [00-8273-RDPP](#) [00-8729-WHPP](#) [593033](#) [593058](#) [593072](#) [593564100](#) [593575](#) [593591](#) [593593](#) [LTLA506SBLAMNBL](#) [CRCW08052740FRT1](#)
[LUC-012S070DSM](#) [LUC-018S070DSP](#) [599-2021-3-NME](#) [599-JJ-2021-03](#) [00-5080-YWPP](#) [5E4750/01-20R0-T/R](#) [LW1A-L1-GD](#) [LW1A-L1-GL](#) [LW1A-P1-GD](#) [LW1L-A1C10V-GL](#) [LW1L-M1C70-A](#) [0202-0173](#) [00-9089-RDPP](#) [CRCW2010331JR02](#) [01-1003W-8/32-10](#) [601-GP-08-KT39](#) [601-JJ-06](#) [601-SPB](#) [601YSY](#) [602-JJ-03](#) [602SPB](#) [602Z](#) [603-JJ-07-FP](#) [603-JJY-04](#) [604J](#)