



## Selection Guide

Part No.	Dice	Lens Type	Iv (mcd) [2] @ 10mA		Viewing Angle [1]
			Min.	Typ.	2θ1/2
L-7104SB/4GD	Green (GaP)	Green Diffused	10	25	40°

Notes:

1. θ1/2 is the angle from optical centerline where the luminous intensity is 1/2 of the optical peak value.
2. Luminous intensity/ luminous Flux: +/-15%.
3. Luminous intensity value is traceable to the CIE127-2007 compliant national standards.

## Electrical / Optical Characteristics at TA=25°C

Symbol	Parameter	Device	Typ.	Max.	Units	Test Conditions
$\lambda_{peak}$	Peak Wavelength	Green	565		nm	I <sub>F</sub> =20mA
$\lambda_D$ [1]	Dominant Wavelength	Green	568		nm	I <sub>F</sub> =20mA
$\Delta\lambda_{1/2}$	Spectral Line Half-width	Green	30		nm	I <sub>F</sub> =20mA
C	Capacitance	Green	15		pF	V <sub>F</sub> =0V;f=1MHz
V <sub>F</sub> [2]	Forward Voltage	Green	2.2	2.5	V	I <sub>F</sub> =20mA
I <sub>R</sub>	Reverse Current	Green		10	uA	V <sub>R</sub> = 5V

Notes:

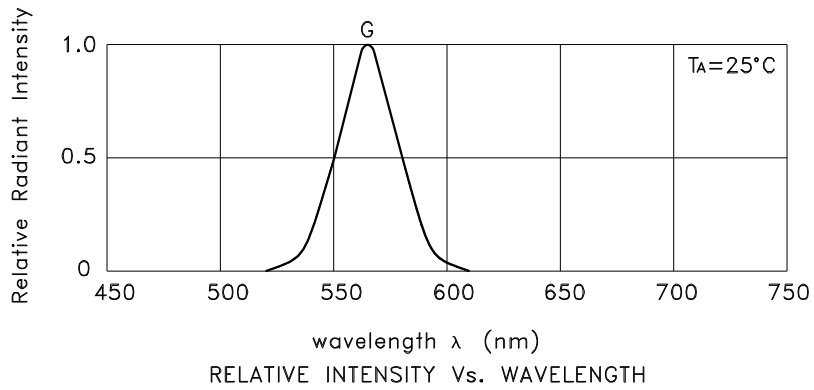
1. Wavelength: +/-1nm.
2. Forward Voltage: +/-0.1V.
3. Wavelength value is traceable to the CIE127-2007 compliant national standards.

## Absolute Maximum Ratings at TA=25°C

Parameter	Green	Units
Power dissipation	62.5	mW
DC Forward Current	25	mA
Peak Forward Current [1]	140	mA
Reverse Voltage	5	V
Operating/Storage Temperature	-40°C To +85°C	
Lead Solder Temperature [2]	260°C For 3 Seconds	
Lead Solder Temperature [3]	260°C For 5 Seconds	

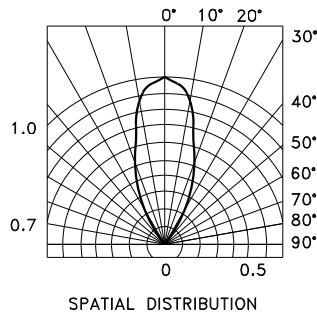
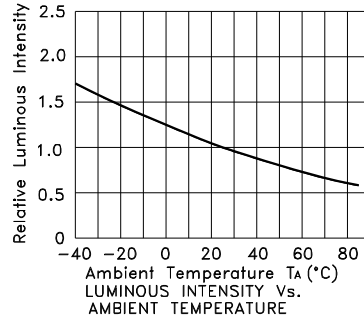
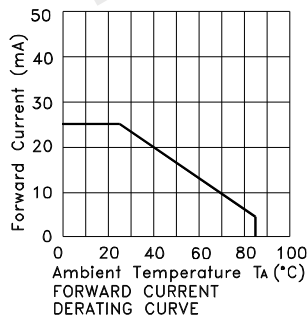
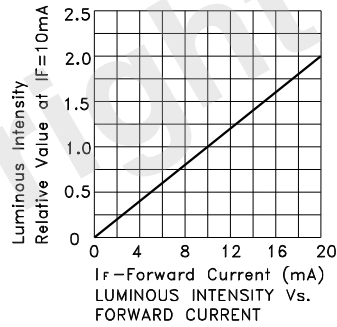
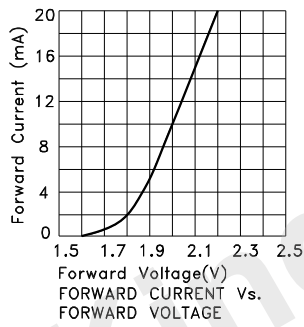
Notes:

1. 1/10 Duty Cycle, 0.1ms Pulse Width.
2. 2mm below package base.
3. 5mm below package base.



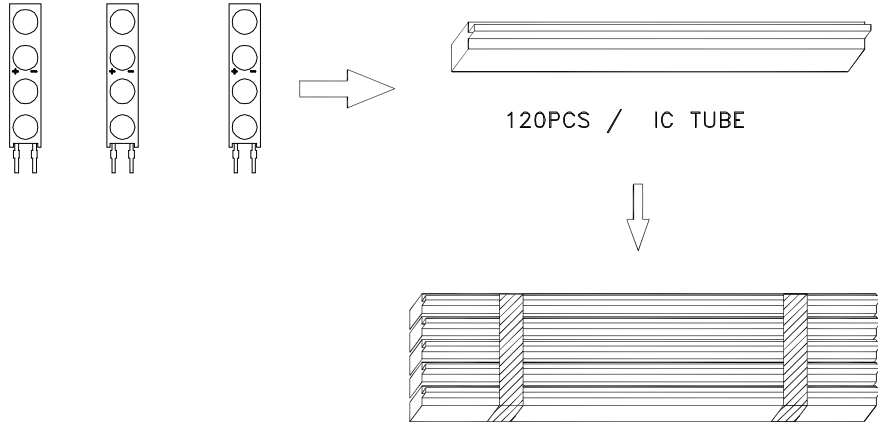
Green

L-7104SB/4GD



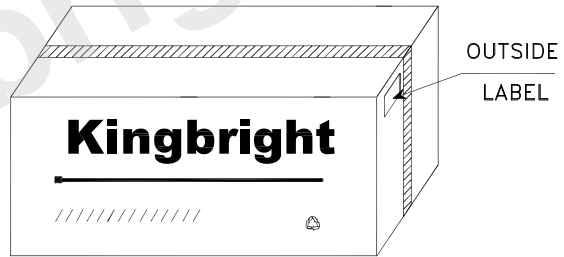
**PACKING & LABEL SPECIFICATIONS**

**L-7104SB/4GD**




120PCS / IC TUBE

600pcs / 5pcs IC TUBE



8.4K / 6# BOX

<h1>Kingbright</h1>	
P/NO: L-7104SBxxx	
QTY: 600 pcs	Q.C. <span style="border: 1px solid black; border-radius: 50%; padding: 2px;">Q C XX XX XXXX PASSED</span>
S/N: XXXX	
CODE: XXX	
LOT NO:	
 xxxxxxxxxxxxxxxxxxxxxxxxxxxxxxxxxxxx	
RoHS Compliant	



# X-ON Electronics

Largest Supplier of Electrical and Electronic Components

*Click to view similar products for [LED Panel Mount Indicators](#) category:*

*Click to view products by [Kingbright](#) manufacturer:*

Other Similar products are found below :

[607-1312-310F](#) [607-3232-140F](#) [6091M1-24V](#) [6091M5-24V](#) [6091M7-24V](#) [6091QM1-12V](#) [821-0331-503](#) [FL2870C8R](#) [FL2950WL7B](#)  
[FL2950WL8G](#) [FL589WL8R](#) [Q6P3BXXB12E](#) [H8630FBBA3](#) [MPC3GDW6.0](#) [MPC5ADW6.0](#) [DX1091GN](#) [DX1118GN](#) [NL177WL3G](#) [NL276C3G](#)  
[NL2950BWL3G](#) [NL2950CWL2R](#) [NL589WL2R](#) [NL67C3G](#) [NL67C3R](#) [C430ABWC2](#) [2191L1-12V](#) [PB22BM41K](#) [PB22SIM40Y](#) [PB22SIOL0RG](#)  
[PB22SKRS31KC](#) [PB22SPPM41R](#) [PB22SPPM61R](#) [LE177C5B](#) [LE2821H5G](#) [LH1048BSWL3702](#) [LH1048BWL3702](#) [LH382A](#) [LHM62B](#) [SSI-](#)  
[LXH387USBD-150](#) [SSI-LXR4815SOD-150](#) [SSP-LXS110818BA](#) [FL2950BWL7R](#) [FL2950CWL7R](#) [FL2950WL7R](#) [FL2950WL8R](#) [FL2951WL8A](#)  
[FL2951WL8G](#) [FL2951WL8R](#) [FL589C7R](#) [FL67C7R](#)