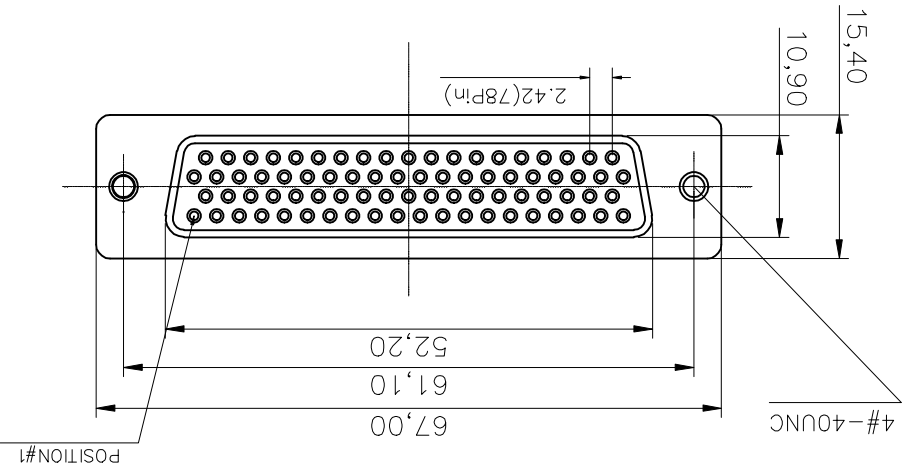
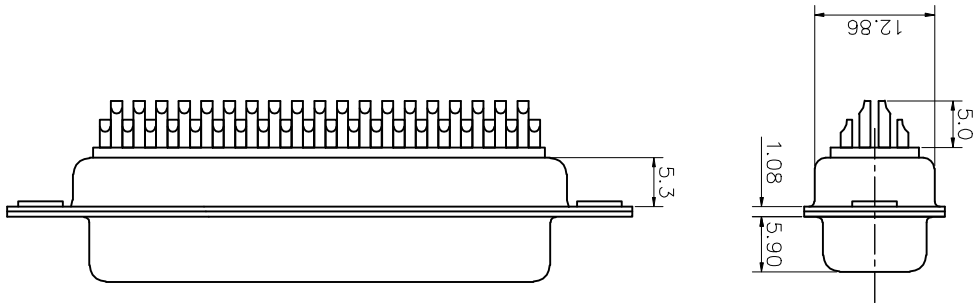




Customer drawing



This document is the property of Amphenol Corporation and is delivered on the condition that it not be disclosed, reproduced or used, in whole or in part, for manufacture or sale by anyone other than Amphenol Corporation without its prior consent. All rights are granted to disclose or to use any information in this document.

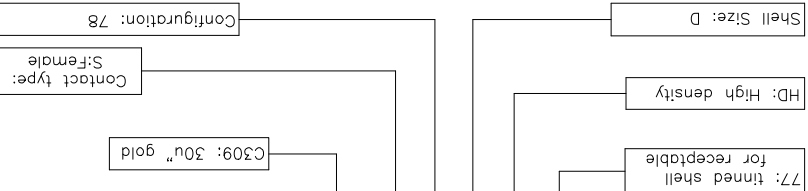
REV	DESCRIPTION	DATE	APPROVED
1	New release	3/8/12	IP

D-SUB TECHNICAL DATA

SHELL : Steel, 100u" min tin over 50u" min nickel
BODY : Glass filled thermoplastic.
CONTACTS : Brass
 Flame retardant to UL94 V-0, Color Black
CONTACTS : 30u" min gold over 50u" min nickel on mating area
 100u" min tin over 50u" min nickel on solder area
ELECTRICAL : Voltage rating 250 V Rms to 50 Hz
 Current rating signal contacts 3A
 Withstanding Voltage : 1000 V Rms to 50 Hz for one minute
 Insulation resistance : 1000 M Ohms at 500V DC
 Contact resistance 20 mohms max.
CLIMATIC : Temperature range -55 °C up to 125°C
 MARKING : Amphenol...(Series No.)
 Manufacturing date

PRODUCT CODE

L 77 HD D 78 S C309



UNLESS OTHERWISE SPECIFIED		TOLERANCES		u.s. METRIC	
+	x	+/-	0.50	0.50	0.50
+	.xxx	+/-	0.30	0.30	0.30
+	.xx	+/-	0.20	0.20	0.20
+	+	+/-	2	2	2
FOR MATERIALS AND FINISHES SEE NOTES					
REMOVE SHARP EDGES					
DIMENSIONS					
U.S.		INCHES		MM	
METRIC		INCHES		MM	
ANGLE OF PROJECTION					
DRAWING FILE :					
TITLE					
Stamped and formed connector, HD series					
DRAWING NO. C L77HDD78SC309					
SCALE NONE					
SHEET 1 OF 1					

Amphenol
Amphenol East Asia Limited

APPROVAL	DATE
DRAWN	3/2/12
CHECKED	3/1/12
TONY	

X-ON Electronics

Largest Supplier of Electrical and Electronic Components

Click to view similar products for [D-Sub Standard Connectors](#) category:

Click to view products by [Amphenol](#) manufacturer:

Other Similar products are found below :

[DCM37S732N](#) [DAM15P500](#) [DEV09S364GTLF](#) [DEM09P032N](#) [DDM50P732N](#) [DAM15S332N](#) [173109-2218](#) [173109-2466](#) [173109-2436](#)
[173109-2435](#) [56F706-005-LI](#) [56F711-015](#) [015-0341-000](#) [015-0372-008](#) [015-8544-011](#) [017041-0005](#) [020419-0104](#) [012-0515-000](#) [012-9507-](#)
[034](#) [012-9507-114](#) [012-9534-001](#) [020745-0008](#) [609-25P](#) [M24308/2-23Z](#) [M243082310F](#) [M243082410F](#) [M243082411F](#) [M24308/4-21](#)
[CT1A18-11PSA206](#) [CT1N36-5SC](#) [CT2-16S-17PS](#) [CT2-20-15PCAU](#) [CT2-24-12PS](#) [CT2-24-28PSF127A206](#) [CT2-32-9PC](#) [CT6F9767-14-4-](#)
[14S-5PC](#) [CT6FA10SL-4PS](#) [CT7-18-10SC](#) [CT7-18-10SCAU](#) [CT7-18-12SCAU](#) [CT7-18-1PC](#) [CT7-18-1PCAU](#) [CT7-18-21SCAU](#) [M83513/01-](#)
[FC](#) [M83723/76W24619 L/C](#) [M85049/48-3-2F](#) [69001-865](#) [6STD09PCM99B70X](#) [6STD09SCM99B30X](#) [6STD09SCT99S40X](#)