

EXCELON® 73
Micro-Fog® and Oil-Fog Lubricators
1/4", 3/8", 1/2" Port Sizes

- **EXCELON design allows in-line or modular installation**
- **Quick release bayonet bowl**
- **Flow sensor design provides a nearly constant oil/air ratio over a wide range of air flows**
- **Highly visible, prismatic liquid level indicator lens**
- **All around (360°) visibility of the sight-feed dome simplifies installation and adjustment**
- **Modular installations with EXCELON 72, 73, and 74 series can be made to suit particular applications**

Use Micro-Fog models in applications containing one or more points of lubrication.

Use Oil-Fog models to lubricate a single tool, cylinder, or other air driven device.



Technical Data

Fluid: Compressed air

Maximum pressure:

Transparent bowl: 10 bar (150 psig)

Metal bowl: 17 bar (250 psig)

Operating temperature*:

Transparent bowl: -20° to +50°C (0° to +125°F)

Metal bowl: -20° to +80°C (0° to +175°F)

* Air supply must be dry enough to avoid ice formation at temperatures below +2°C (+35°F).

Start point (minimum flow required for lubricator operation): 0,71 dm³/s (1.5 scfm) at 6,3 bar (90 psig) inlet pressure

Maximum recommended flow: 28 dm³/s (60 scfm). Air flows above 28 dm³/s (60 scfm) create excessive air velocity, turbulence, and pressure losses. In addition, the fog produced by the lubricator will wet out on the pipe walls and will not be carried by the compressed air to the point of application.

Typical flow with 6,3 bar (90 psig) inlet pressure and 0,25 bar (3.5 psig) pressure drop: 38 dm³/s (80 scfm)

Nominal bowl size: 0,1 litre (3.5 fluid ounce)

Manual drain connection: 1/8"

Recommended lubricants: See page N/AL.8.900.935

Materials:

Body: Aluminum

Bowl:

Transparent: Polycarbonate

Transparent with guard: Polycarbonate, steel guard

Metal: Aluminum

Metal bowl liquid level indicator lens: Transparent nylon

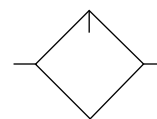
Sight-Feed dome: Transparent nylon

Elastomers: Neoprene and nitrile

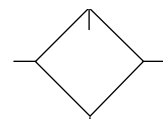
Ordering Information

See *Ordering Information* on the following pages.

ISO Symbols



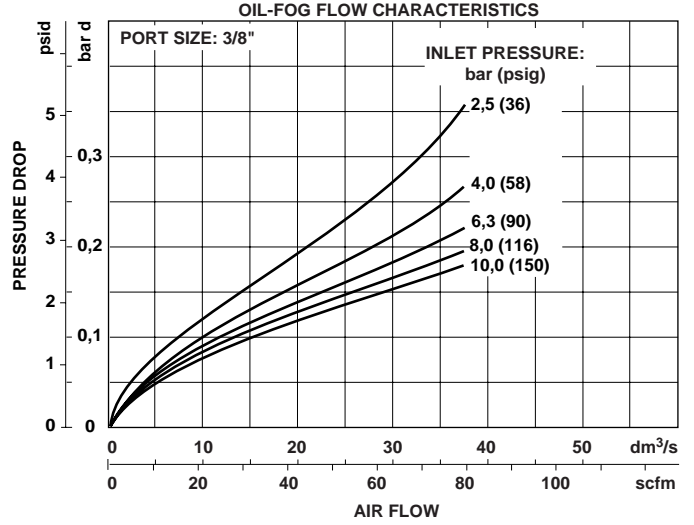
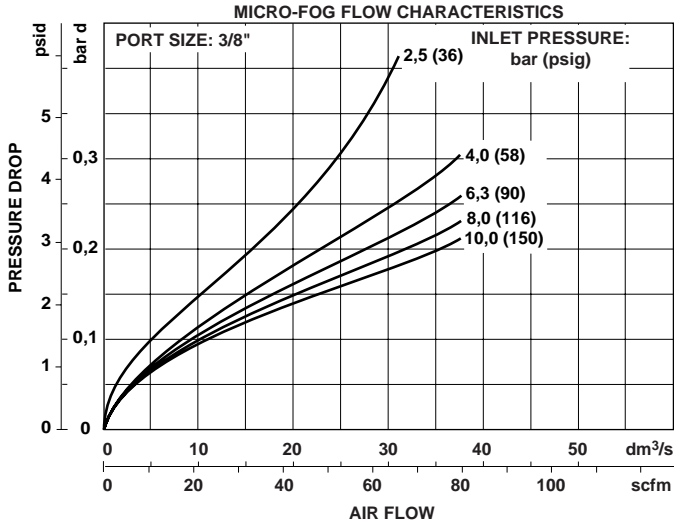
No Drain



With Drain



Typical Performance Characteristics



Ordering Information. Models listed include ISO G parallel threads, manual drain, and metal bowl with plastic liquid level indicator.

Type	Main Port Size	Model Number	Flow* dm ³ /s (scfm)	Weight kg (lb)
Micro-Fog	G1/4	L73M-2GP-QDN	28 (60)	0,50 (1.1)
	G3/8	L73M-3GP-QDN	28 (60)	0,50 (1.1)
	G1/2	L73M-4GP-QDN	28 (60)	0,50 (1.1)
Oil-Fog	G1/4	L73C-2GP-QDN	28 (60)	0,50 (1.1)
	G3/8	L73C-3GP-QDN	28 (60)	0,50 (1.1)
	G1/2	L73C-4GP-QDN	28 (60)	0,50 (1.1)

* Maximum recommended air flow. Higher flows create excessive air velocity, turbulence, and pressure losses. See **Technical Data** on page 01.

Alternative Models



Type	Substitute
Oil-Fog	C
Micro-Fog	M
Port Size	Substitute
1/4"	2
3/8"	3
1/2"	4
Threads	Substitute
PTF	A
ISO Rc taper	B
ISO G parallel	G
Air Flow Direction	Substitute
Uni-directional	P

Options	Substitute
None	N
Pyrex sight-feed dome †	P
Quick fill nipple	Q

Bowl	Substitute
Metal with plastic liquid level indicator	D
Transparent with guard	P
Metal with Pyrex liquid level indicator†	R
Transparent	T

Drain	Substitute
Closed bottom	E
Manual 1/4 turn	Q

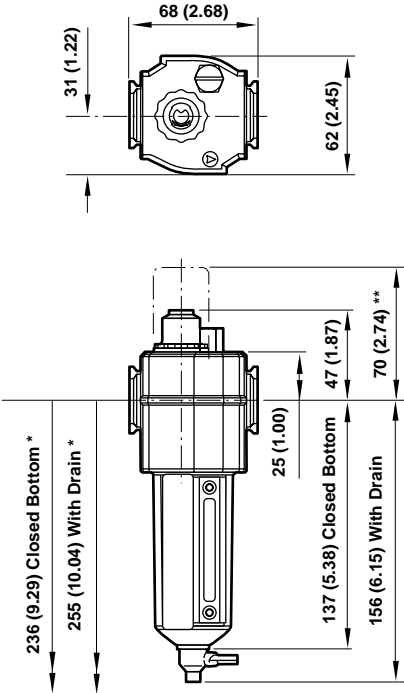
† Order optional Pyrex sight-feed dome when ordering metal bowl with Pyrex liquid level indicator.

Accessories

Wall Mounting Bracket	Quick Fill Nipple (Field Conversion)
4424-50	18-011-024



Dimensions mm (inches)



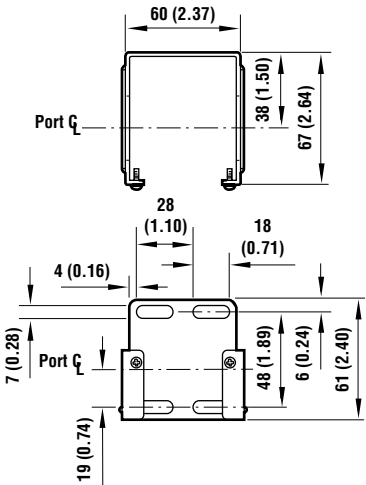
* Minimum clearance to remove bowl.
 ** Optional pyrex sight-feed dome.

Bracket Mounting

Use 5mm (1/4") screws to mount bracket to wall.

Bracket Kit Reference

Model	Part No.
All Models	4424-50



Service Kits

Item	Type	Part Number
Service kit	Seal & Gasket	4382-600
Liquid level lens kit	Prismatic	4380-020
Replacement drain	Manual 1/4 turn	619-50

Service kit includes dome seal, drain seal, bowl seal and fill plug seal



Warning

These products are intended for use in industrial compressed air systems only. Do not use these products where *pressures* and *temperatures* can exceed those listed under **Technical Data**.

Before using these products with fluids other than those specified, for non-industrial applications, life-support systems, or other applications not within published specifications, consult Norgren.

Through misuse, age, or malfunction, components used in fluid power systems can fail in various modes. The system designer is warned to consider the failure modes of all component parts used in fluid power systems and to provide adequate safeguards to prevent personal injury or damage to equipment in the event of such failure.

System designers must provide a warning to end users in the system instructional manual if protection against a failure mode cannot be adequately provided.

System designers and end users are cautioned to review specific warnings found in instruction sheets packed and shipped with these products.

X-ON Electronics

Largest Supplier of Electrical and Electronic Components

Click to view similar products for [Other Tools](#) category:

Click to view products by [Norgren](#) manufacturer:

Other Similar products are found below :

[CR-05FL7--150R](#) [CR-05FL7--698K](#) [899-2-KT46](#) [899-5-KT46](#) [CR-0AFL4--332K](#) [CR-12FP4--260R](#) [5718X-01PD-19RO](#)
[CRCW04021100FRT7](#) [CRCW04021961FRT7](#) [5800-0090](#) [CRCW04024021FRT7](#) [CRCW040254R9FRT7](#) [CRCW0603102JRT5](#) [59065-5](#) [00-8273-RDPP](#) [00-8729-WHPP](#) [593033](#) [593058](#) [593072](#) [593564100](#) [593575](#) [593591](#) [593593](#) [LTLA506SBLAMNBL](#) [CRCW08052740FRT1](#)
[LUC-012S070DSM](#) [LUC-018S070DSP](#) [599-2021-3-NME](#) [599-JJ-2021-03](#) [00-5080-YWPP](#) [5E4750/01-20R0-T/R](#) [LW1A-L1-GD](#) [LW1A-L1-GL](#) [LW1A-P1-GD](#) [LW1L-A1C10V-GL](#) [LW1L-M1C70-A](#) [0202-0173](#) [00-9089-RDPP](#) [CRCW2010331JR02](#) [01-1003W-8/32-10](#) [601-GP-08-KT39](#) [601-JJ-06](#) [601-SPB](#) [601YSY](#) [602-JJ-03](#) [602SPB](#) [602Z](#) [603-JJ-07-FP](#) [603-JJY-04](#) [604J](#)