



Installation Instructions

HDO Oscilloscope Rackmount Accessory



HDO Oscilloscope Rackmount Accessory Installation Instructions

© 2013 Teledyne LeCroy, Inc. All rights reserved.

Unauthorized duplication of Teledyne LeCroy documentation materials other than for internal sales and distribution purposes is strictly prohibited. However, clients are encouraged to distribute and duplicate Teledyne LeCroy documentation for their own internal educational purposes.

HDO Oscilloscope and Teledyne LeCroy are registered trademarks of Teledyne LeCroy, Inc. Windows is a registered trademark of Microsoft Corporation. Other product or brand names are trademarks or requested trademarks of their respective holders. Information in this publication supersedes all earlier versions. Specifications are subject to change without notice.

922646-00 Rev A

February 2013

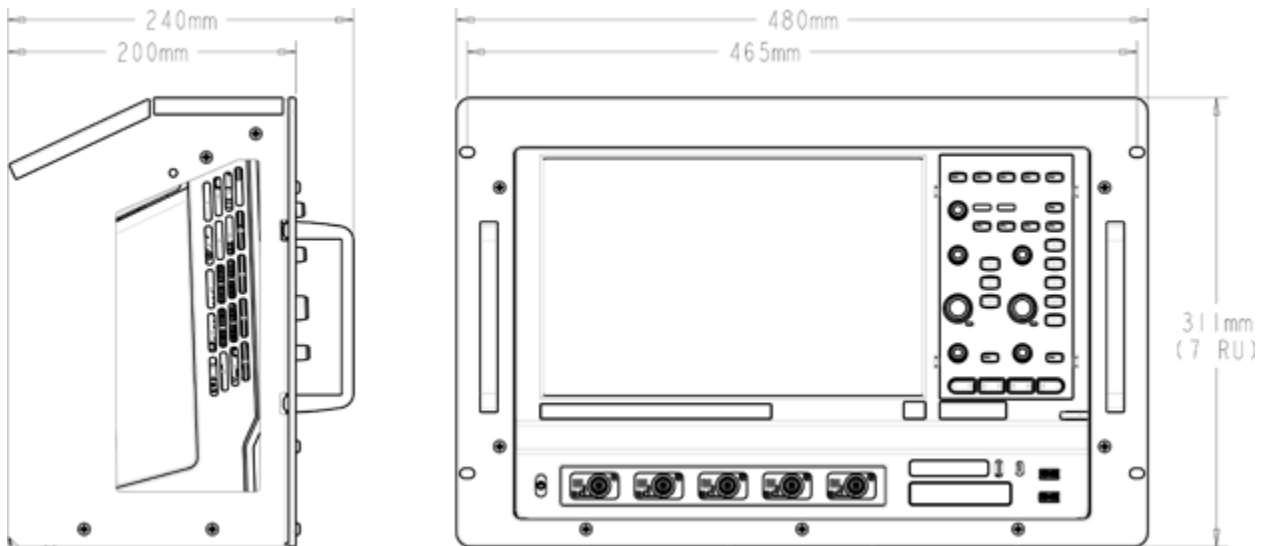
Welcome

Thank you for purchasing a Rackmount Accessory for the Teledyne LeCroy HDO Oscilloscope. The following topics explain proper installation and usage procedures.

Upon receiving your shipment, remove all parts from the packaging. Refer to **Package Contents** to ensure that all items have shipped correctly.

Check the **Pre-Installation Requirements**, then follow the **Installation Procedure** to set up your Rackmount properly.

When fully assembled, rackmount accessory dimensions are 7 RU (311 mm or 12.25 inches) vertical, 480 mm horizontal, and 240 mm deep (including handles).



Package Contents

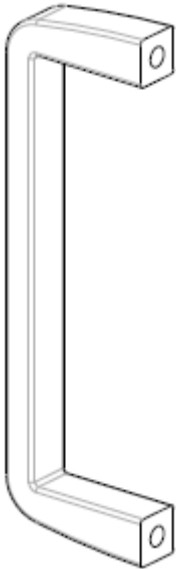
Please take a moment to ensure all parts have correctly shipped with your Rackmount:



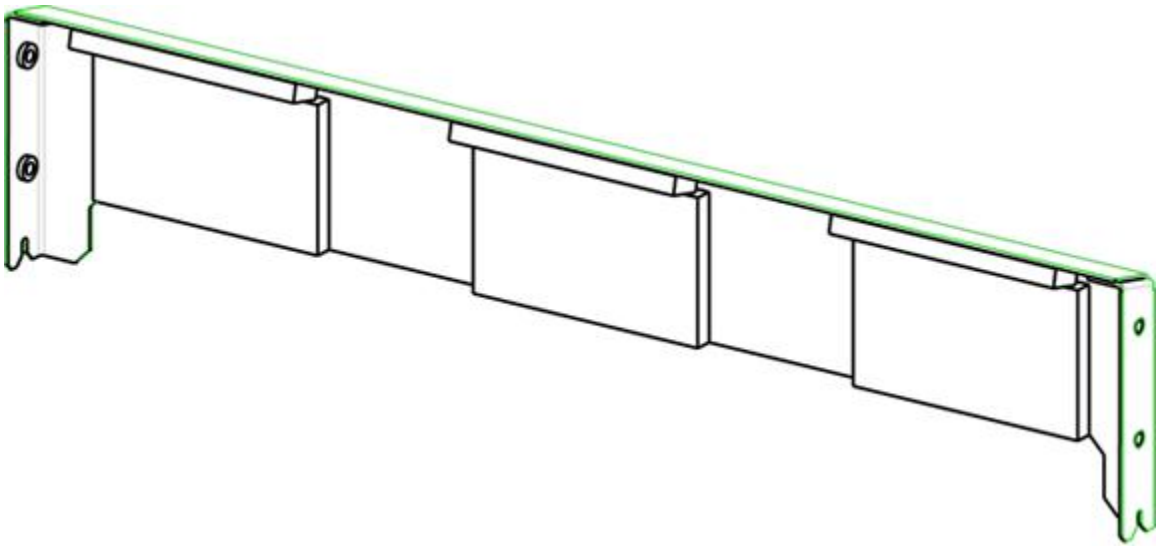
M4 X 10 Phillips Screw (15)



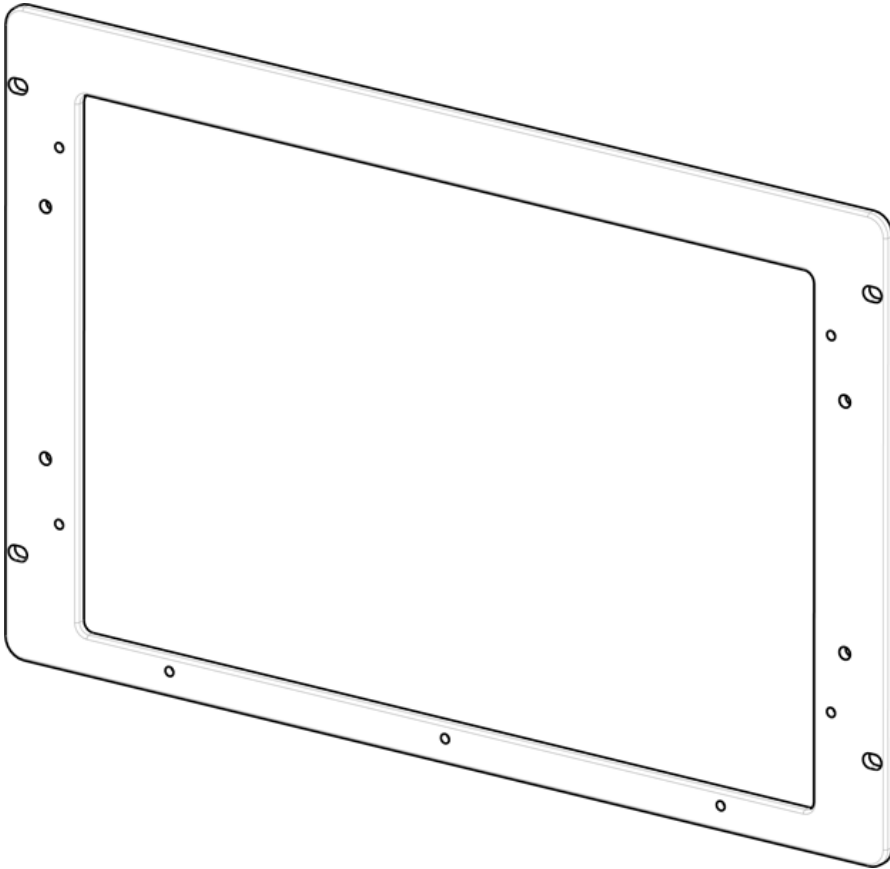
M5 X 12 Phillips Screw (4)



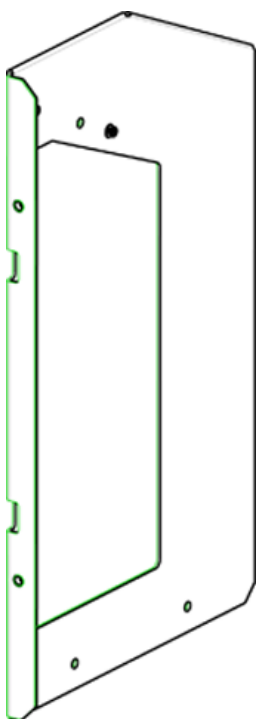
12.2mm Front Handle (2)



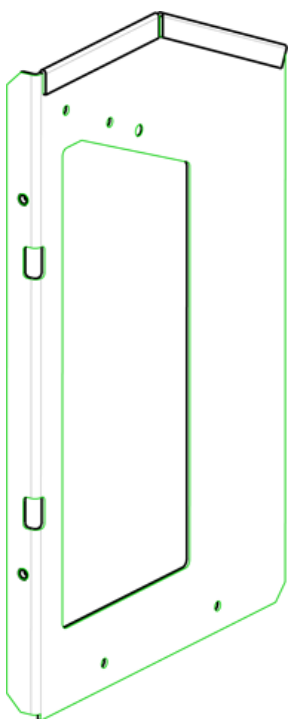
Top Bracket (1)



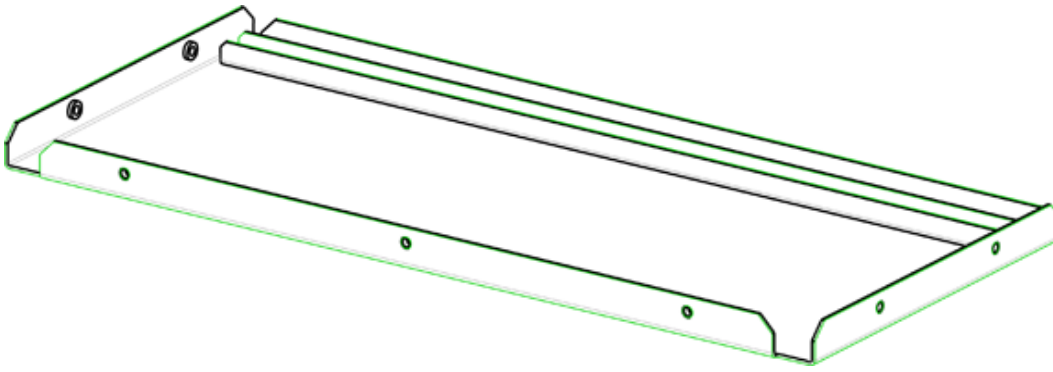
Face Plate (1)



Left Wall (1)



Right Wall (1)



Tray Base (1)

Contact the **Teledyne LeCroy Service Center** nearest to you if any parts are missing or damaged.

NOTE: Parts are shown in this manual using the aforementioned names. See the **Part Reference Table** for the exact Teledyne LeCroy part numbers when ordering replacements.

Part Reference Table

Use the following numbers when ordering replacement parts.

Description	Teledyne LeCroy Part Number	Qty. Per Unit
M4 X 10 Phillips Screw	550441110	15
M5 X 12 Phillips Screw	42A0000003090	4
12.2mm Front Handle	42A0000002918	2
Top Bracket	922666-00	1
Face Plate	922476-00	1
Left Wall	922477-00	1
Right Wall	922478-00	1
Tray Base	922475-00	1
Installation Instructions	922646-00	1

Pre-Installation Requirements

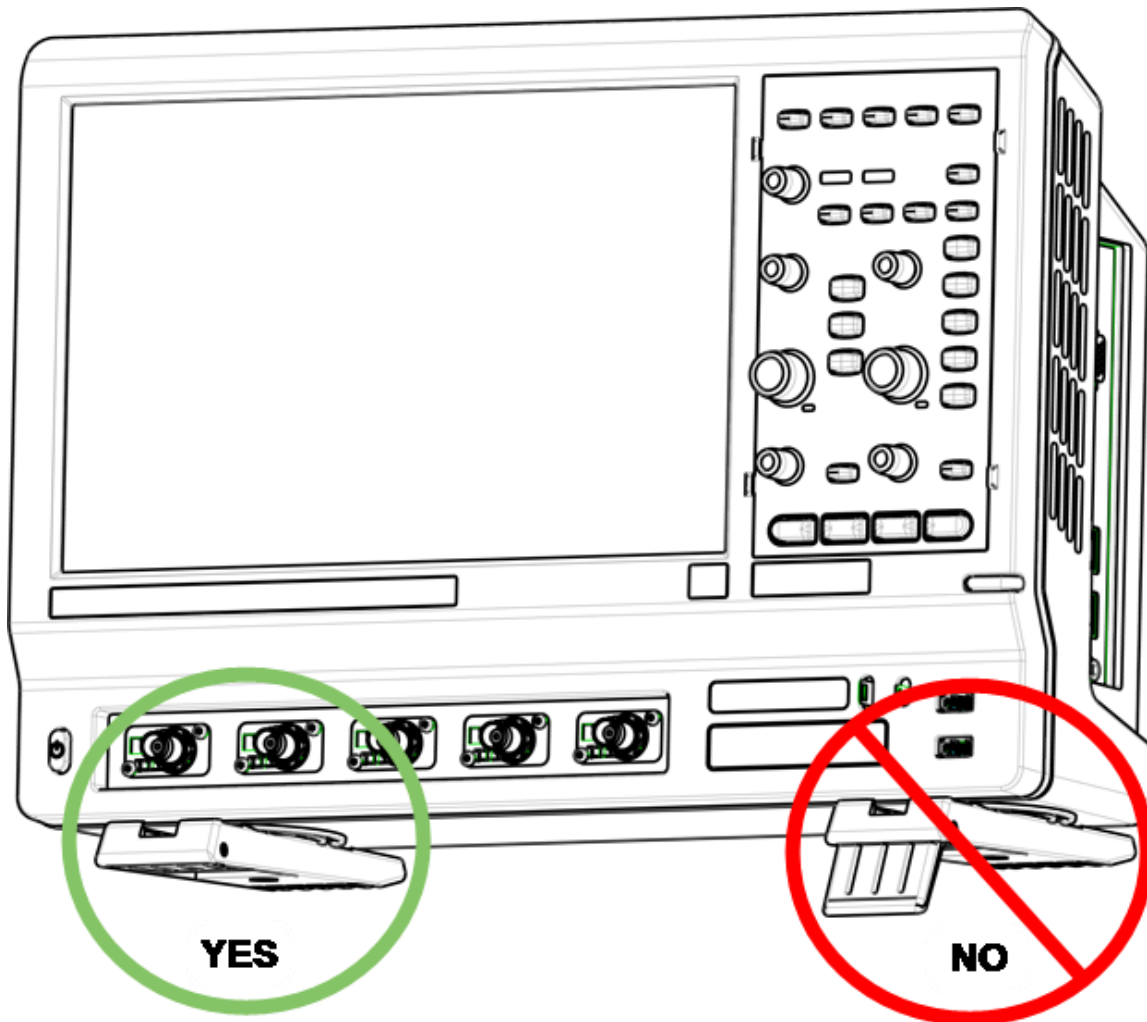
Tools

A standard Phillips (#2 head) screwdriver is required for the light assembly of your HDO Oscilloscope Rackmount.

Oscilloscope

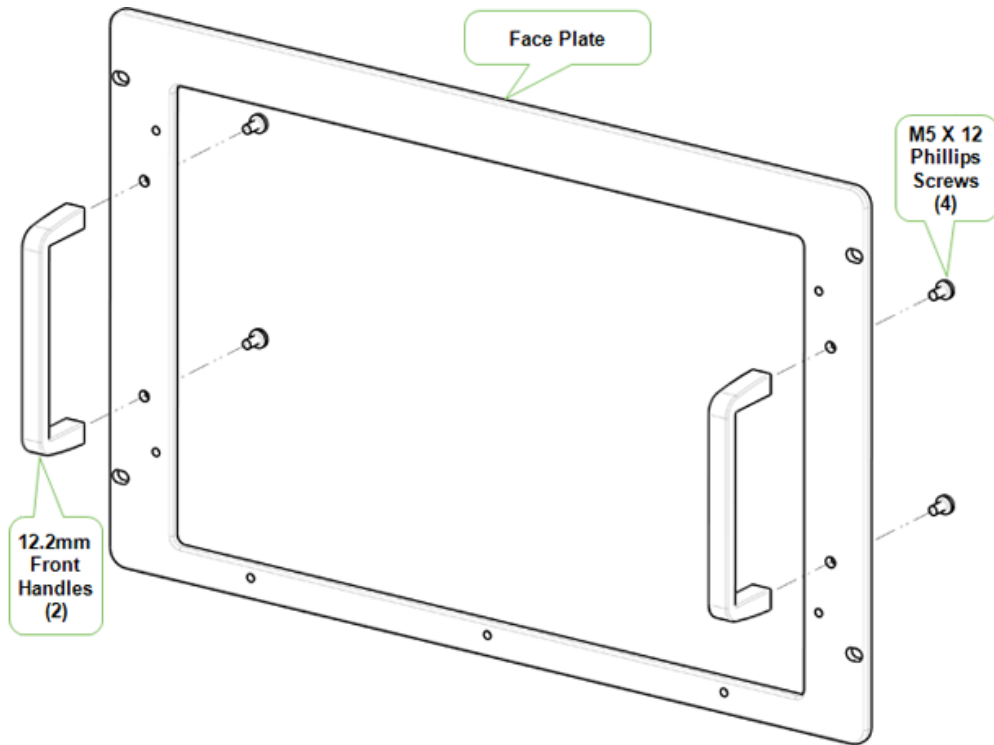
Be sure to prepare your HDO oscilloscope for rack mounting by performing the following:

- **Power down** the oscilloscope.
- **Unplug the AC Power Plug from the back panel** of the oscilloscope.
- **With the feet rotated to the position shown below, flip up the feet of your oscilloscope** so the instrument lies flat.

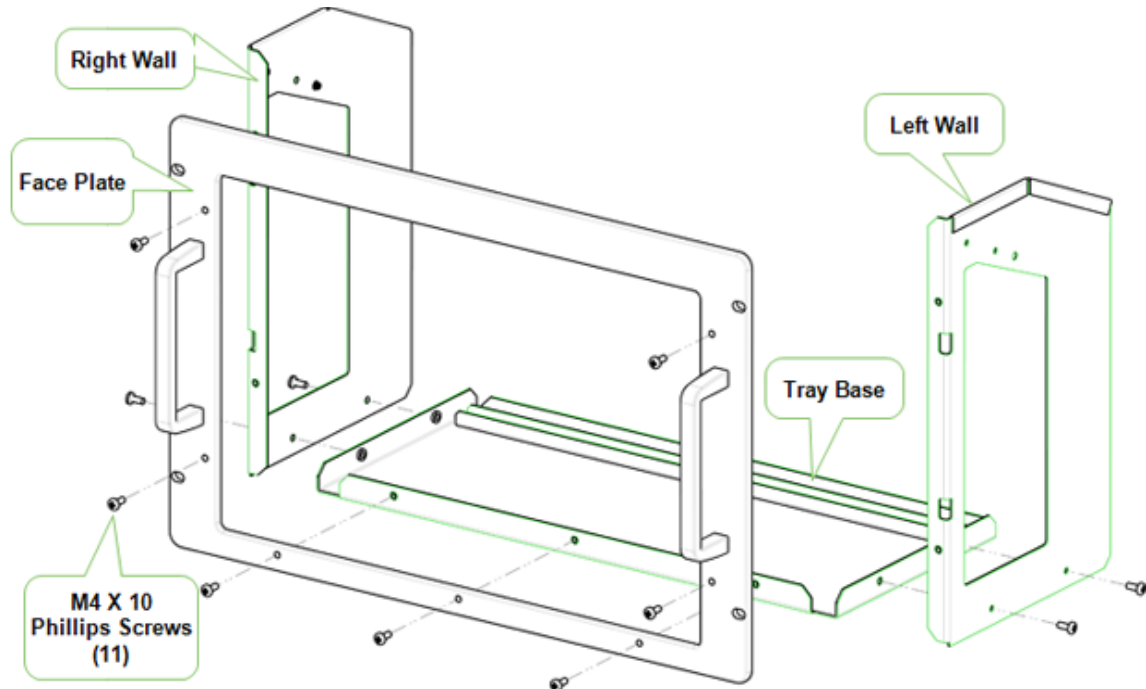


Installation Procedure

1. Attach the two **12.2mm Front Handles** to the **Face Plate** using the four provided **M5 X 12 Phillips Screws**.

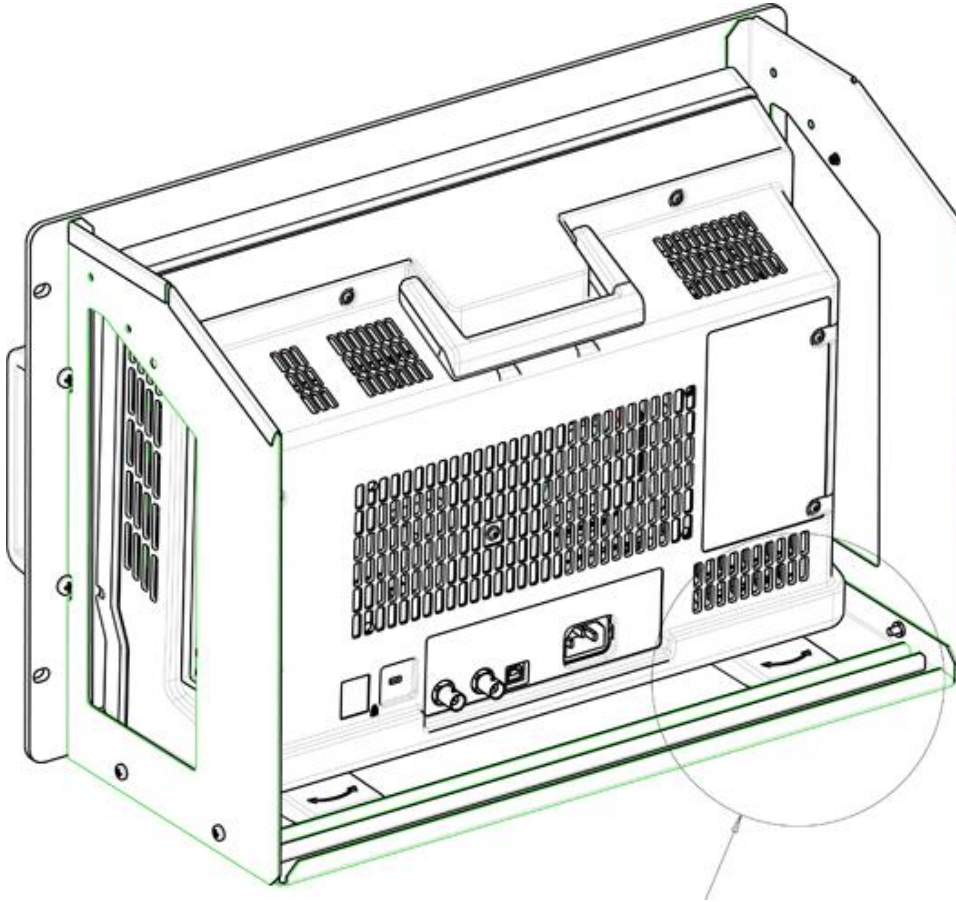


2. Attach the **Face Plate**, **Left and Right Walls** to the **Tray Base** using 11 of the 15 provided **M4 X 10 Phillips Screws**.

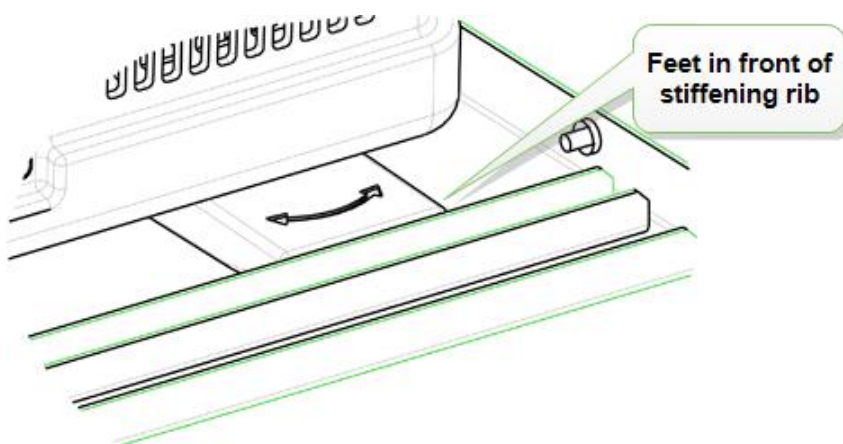


HDO Oscilloscope Rackmount Accessory

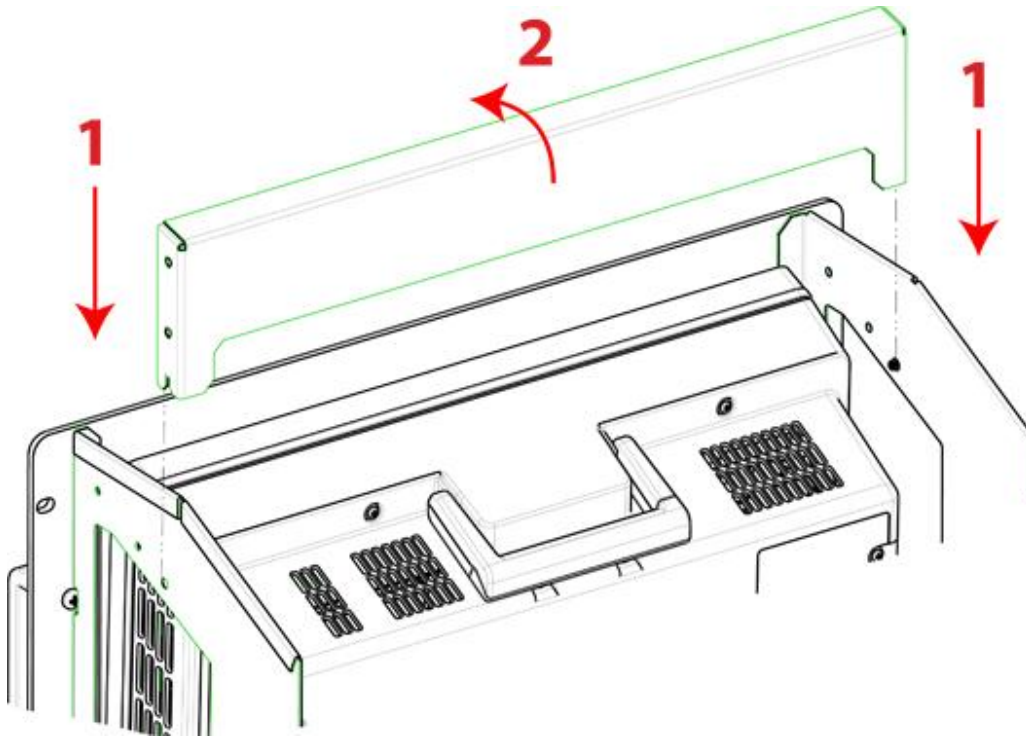
3. With your oscilloscope prepared according to the **Pre-Installation Requirements**, carefully pick up and lower the oscilloscope into the assembled **Face Plate**, **Left and Right Walls**, and **Tray Base**.



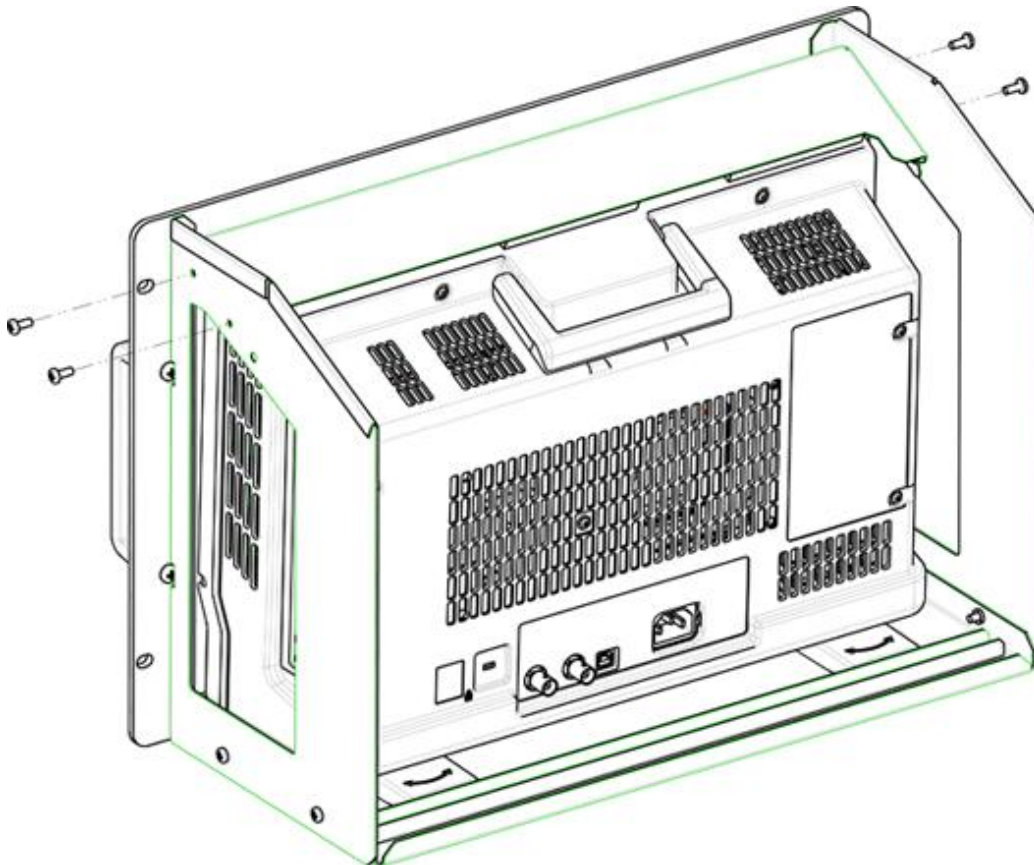
Seat the instrument into the Tray Base, centering the front of the unit into the Face Plate opening. Position the feet of the oscilloscope in front of the stiffening rib located toward the back of the Tray Base.



- Align the slots on the **Top Bracket** with the positioning pins inside the **Left and Right Walls**, then rotate the Top Bracket forward until it rests on top of the oscilloscope and the screw holes align.



- Use the remaining four **M4 X 10 Phillips Screws** to attach the **Top Bracket** to the **Left and Right Walls**.



Teledyne LeCroy Service Centers

United States and Canada - World Wide Corporate Office

Teledyne LeCroy Corporation
700 Chestnut Ridge Road
Chestnut Ridge, NY, 10977-6499, USA
Ph: 800-553-2769 / 845-425-2000
FAX: 845-578-5985
teledynelecroy.com

Support:

contact.corp@teledynelecroy.com

Sales:

customersupport@teledynelecroy.com

United States - Protocol Solutions Group

Teledyne LeCroy Corporation
3385 Scott Boulevard
Santa Clara, CA, 95054, USA
FAX: 408-727-0800
teledynelecroy.com

Sales and Service:

Ph: 800-909-7211 / 408-727-6600
contact.corp@teledynelecroy.com

Support:

Ph: 800-909-7112 / 408-653-1260
psgsupport@teledynelecroy.com

European Headquarters

Teledyne LeCroy SA
4, Rue Moïse Marcinhes
Case postale 341
1217 Meyrin 1
Geneva, Switzerland
Ph: + 41 22 719 2228 / + 41 22 719 2323 / + 41 22 719 2277
FAX: +41 22 719 2233

contact.sa@teledynelecroy.com

applications.indirect@teledynelecroy.com

teledynelecroy.com/europe

Protocol Analyzers:

Ph: +44 12 765 03971

Singapore, Oscilloscopes

Teledyne LeCroy Singapore Pte Ltd.
Blk 750C Chai Chee Road #02-08
Technopark @ Chai Chee
Singapore 469003
Ph: ++ 65 64424880
FAX: ++ 65 64427811

Singapore, Protocol Analyzers

Genetron Singapore Pte Ltd.
37 Kallang Pudding Road, #08-08
Tong Lee Building Block B
Singapore 349315
Ph: ++ 65 9760-4682

China

Teledyne LeCroy Corporation Beijing
Rm. 2001
Unit A, Horizon Plaza
No. 6, Zhichun Road, Haidian District
Beijing 100088, China
Ph: ++86 10 8280 0318 / ++86 10 8280 0319 / ++86 10 8280 0320
FAX:++86 10 8280 0316

Service:

Rm. 2002
Ph: ++86 10 8280 0245

Taiwan

LeColn Technology Co Ltd.
Far East Century Park, C3, 9F
No. 2, Chien-8th Road,
Chung-Ho Dist., New Taipei City, Taiwan
Ph: ++ 886 2 8226 1366
FAX: ++ 886 2 8226 1368

Korea

Teledyne LeCroy Korea
10th fl.Ildong Bldg.
968-5 Daechi-dong, Gangnam-gu
Seoul 135-280, Korea
Ph: ++ 82 2 3452 0400
FAX: ++ 82 2 3452 0490

Japan

Teledyne LeCroy Japan
Hobunsha Funchu Bldg, 3F
3-11-5, Midori-cho, Fuchu-Shi
Tokyo 183-0006, Japan
Ph: ++ 81 4 2402 9400
FAX: ++ 81 4 2402 9586
teledynelecroy.com/japan



700 Chestnut Ridge Road
Chestnut Ridge, NY 10977
USA

teledynelecroy.com

X-ON Electronics

Largest Supplier of Electrical and Electronic Components

Click to view similar products for [Benchtop Oscilloscopes](#) category:

Click to view products by [Teledyne](#) manufacturer:

Other Similar products are found below :

[WSXS-RACK](#) [WSXS-MOUSE](#) [WSXS-KYBD](#) [UPO2102CS](#) [AX-DS1100CFM](#) [TT-HV250](#) [TT-LF212](#) [TT-LF 312-2-6](#) [DSO3064-KIT-IV](#)
[DSO5102P](#) [DSO5202B](#) [RT-ZP03](#) [MSO5062D](#) [CC-650](#) [FLUKE PM9082/001](#) [TOS-2020CT](#) [PK007-003](#) [PK007-019](#) [PK007-022](#) [PK007-024](#)
[PK007-026](#) [PK106-5](#) [PK116-3](#) [PK1-5MM-102](#) [PK1-5MM-104](#) [PK1-5MM-105](#) [PK1-5MM-108](#) [PK1-5MM-111](#) [PK1-5MM-112](#) [PK1-5MM-](#)
[113](#) [PK1-5MM-120](#) [TA041](#) [GDS-1052-U](#) [GDS-1072A-U](#) [GDS-1102A-U](#) [GDS-2072A](#) [GDS-2202E](#) [GDS-2204E](#) [U3400A-1CM](#) [PP-150](#) [PP-](#)
[80](#) [HO720](#) [TT-MF312](#) [TT-LF316](#) [TT-HV150](#) [TT-HF212RA](#) [TT-HF212](#) [2555](#) [2557](#) [2566](#)