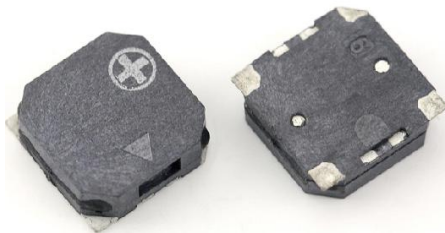


Product Code:

LET7525AS-3.6L-2.7-15-R

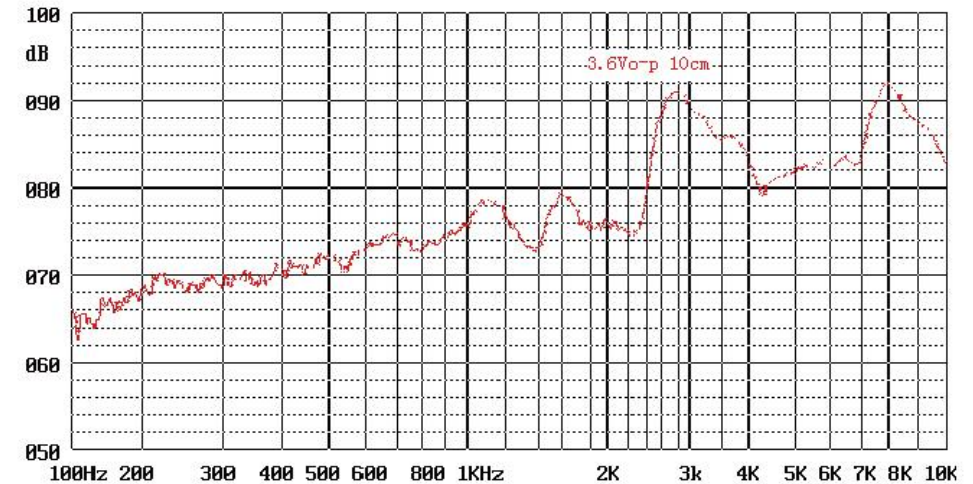

 RoHS
Compliant

Picture:

Specification:

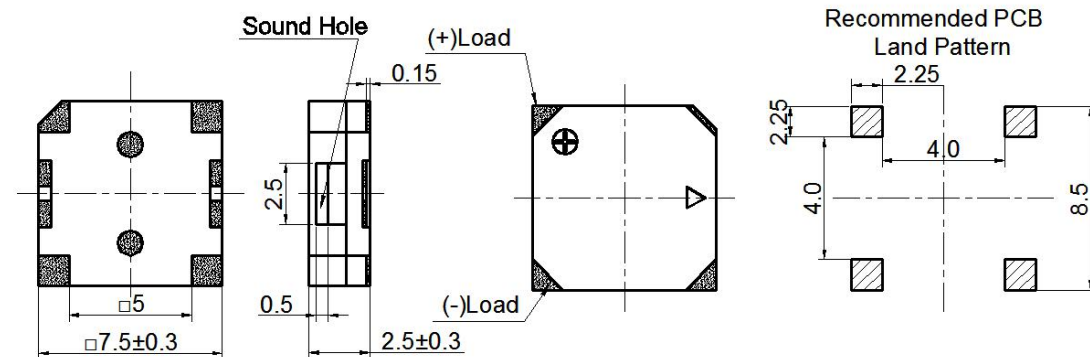
| | | |
|---------------------------------|--------|--------------------------------|
| Rated Voltage | (Vo-p) | 3.6 |
| Operating Voltage | (Vo-p) | 2.5~4.5 |
| *Rated Current | (mA) | ≤100 |
| Coil Resistance | (Ω) | 15±3 |
| *Sound Output at 10cm | (dB) | ≥85 |
| Resonance Frequency | (Hz) | 2700 |
| Operating Temperature | (°C) | -40~+105 |
| Storage Temperature | (°C) | -40~+120 |
| Weight | (g) | 0.3 |
| Housing Material | | LCP |
| RoHS | | Yes |
| MSL(Moisture Sensitivity Level) | | 5a(≤30°C/60%RH 24H Floor life) |

*Applying rated voltage and resonant frequency(1/2 duty square wave);

Test basic state: Temp(20±2°C), Humidity(40~70%RH), Air pressure(860~1060hPa).

Frequency Response:

Dimensions (Unit: mm)

Tolerance: ±0.5mm Except Specified



X-ON Electronics

Largest Supplier of Electrical and Electronic Components

Click to view similar products for [Audio Indicators & Alerts](#) category:

Click to view products by [CHANGZHOU CRE-SOUND ELECTRONICS](#) manufacturer:

Other Similar products are found below :

[M2BJ-BH24E](#) [6-4](#) [68S1240-PA](#) [MBA-624](#) [F/BC 40P-DR LF](#) [FDG111PLF](#) [F/NRMB 24 BLACK LF](#) [PF-35N29WQ](#) [PFD-27A35PQ](#) [PL-27A35PSQ](#) [PS-531Q](#) [AB2020B-2-LW1](#) [EBPT-401](#) [PB06SD12AP](#) [PB-1220PEQ](#) [S6109](#) [SC2036ACP](#) [SC616N-2](#) [SC628FW](#) [SC628MPG](#) [SC648D](#) [SCS045MD9DT3S](#) [AB2025B-LW50-R](#) [ESZ-25B-5-250B](#) [F/BC 35-DR LF](#) [FCM12PLF](#) [F/EB20P-DR LF](#) [F/HU110MP24V-IP67B](#) [LF](#) [AI-2835-TF-LW150-2-R](#) [AI-4228-TF-LW305-R](#) [FSMD8585JSLF](#) [FSS-26T](#) [F/SU 21-02 LF](#) [F/TCW 05 WITH LABEL LF](#) [F/UCW 03 WITH LABEL LF](#) [F/UCW 06 WITH LABEL LF](#) [PKM22EPPH40S1-B0](#) [PKM35-4A0](#) [PL-35N29WQ](#) [PLD-27A35PQ](#) [PS-552Q](#) [CM-5](#) [M2BJ-BH24E-D](#) [REF-202](#) [LSC628ANR](#) [5-100](#) [PAL-328](#) [03-810.001](#) [RTO-1R07-001](#) [PL-21N31PQ](#) [PF-27A25PSQ](#)