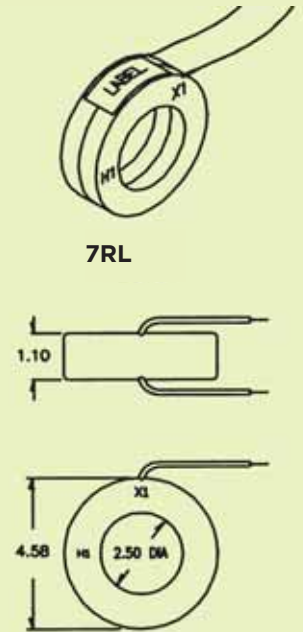
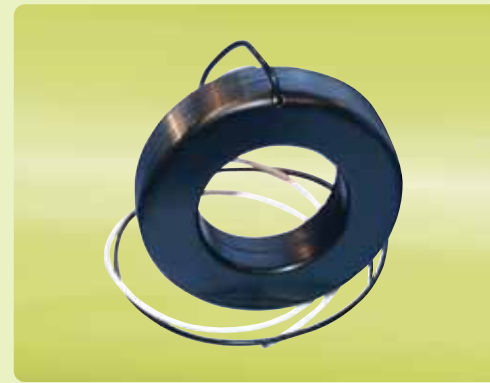
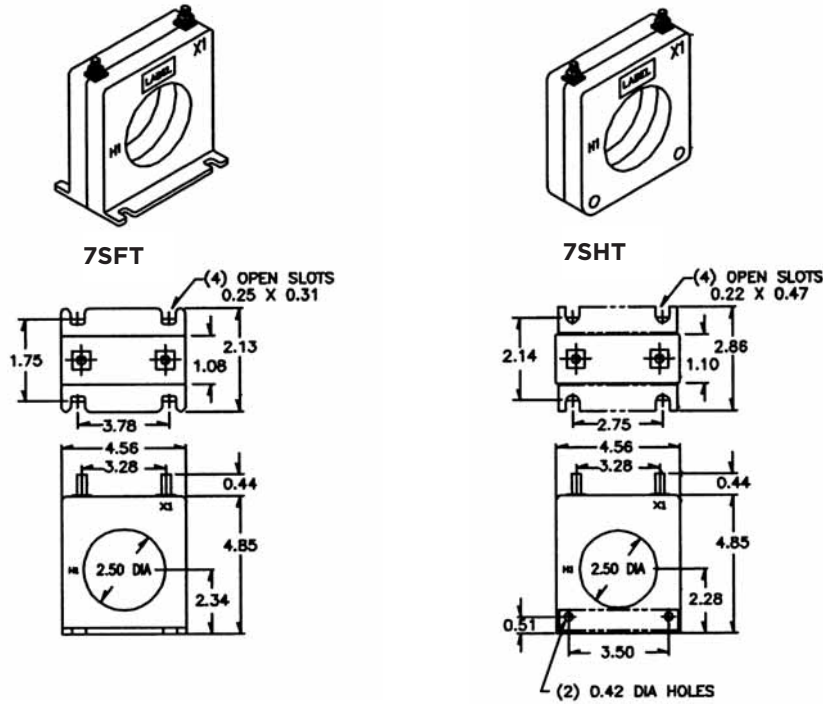


# Model 7

Window Diameter 2.50"



Catalogue Number	Current Ratio	Accuracy at 60Hz	Burden VA at 60Hz
7**-101	100:5	± 2%	2.0
7**-151	150:5	± 1%	5.0
7**-201	200:5	± 1%	5.0
7**-251	250:5	± 1%	5.0
7**-301	300:5	± 1%	12.5
7**-401	400:5	± 1%	15.0
7**-501	500:5	± 1%	25.0
7**-601	600:5	± 1%	30.0
7**-751	750:5	± 1%	30.0
7**-801	800:5	± 1%	35.0
7**-102	1000:5	± 1%	35.0
7**-122	1200:5	± 1%	35.0
7**-152	1500:5	± 1%	40.0
7**-162	1600:5	± 1%	45.0

**\*\*NOTE:** When ordering, prefix Catalogue Number with model designation required, i.e. 7SFT - 500, 7RL - 500, etc.

### Application:

With ammeters, wattmeters and cross current compensation.

### Frequency:

50-400Hz

### Insulation Level:

- 600 Volts, 10kV BIL full wave
- Flexible leads are UL 1015 105°C, CSA approved #16 AWG, 24" long
- Non-standard length to be specified
- Terminals are brass studs No. 8 - 32 UNC with one flat washer, lockwasher and regular nut
- SFT and SHT case styles also available as SFL and SHL with leads
- Mounting bracket kit when required for Model 7SHT
- Approximate weight: 1.5 lbs

Approvals



## X-ON Electronics

Largest Supplier of Electrical and Electronic Components

*Click to view similar products for [TE CONNECTIVITY](#) manufacturer:*

Other Similar products are found below :

[D38999/24FJ4AN](#) [1-2000677-8](#) [SMD100-2](#) [D38999/20WJ43BD](#) [4-176756-8](#) [983-6SE22-12S7-L](#) [D38999/24ZE35PN](#) [CUA-41-70003](#)  
[DJT10F17-26HN](#) [5-1437490-9](#) [7022X3H](#) [983-6SE18-14P9-L](#) [AFD50-16-23SN-6116-LC](#) [603995-1](#) [D38999/24WF32JE](#) [D38999/24WF32SE-](#)  
[LC](#) [DTS24W19-32HE](#) [D38999/20WD19SB-LC](#) [842723N001](#) [213904-1](#) [C1177A](#) [AFD51-18-32PW-6116-LC](#) [D38999/24FD19PD](#)  
[D38999/24FD19PD-LC](#) [D38999/24FF32BA](#) [D38999/26WH21PB-LC](#) [D38999/20FH21PE](#) [D38999/20FH21PE-LC](#) [D38999/24FH21PN](#)  
[DTS20F23-21PE](#) [D38999/20FH21PB-LC](#) [D38999/26FJ35PE](#) [D38999/32Z15N](#) [DTS26W9-35JB-LC](#) [D38999/26JJ29JN](#) [102976-7](#)  
[D38999/20FJ4SB-LC](#) [1-2322421-6](#) [D38999/20FJ24SB-LC](#) [MS3474L12-10P-LC](#) [MS3474L12-10PW-LC](#) [MS27467T21F16P-LC](#) [D50184-000](#)  
[WINTOTAL-6-END-USER-LICENCE](#) [164-8033-08](#) [DTS26W17-99HA](#) [MS27468T17F26H](#) [DJT14F17-26HN](#) [DJT14F17-26HB](#)  
[AFD58-24-61PY-1A](#)