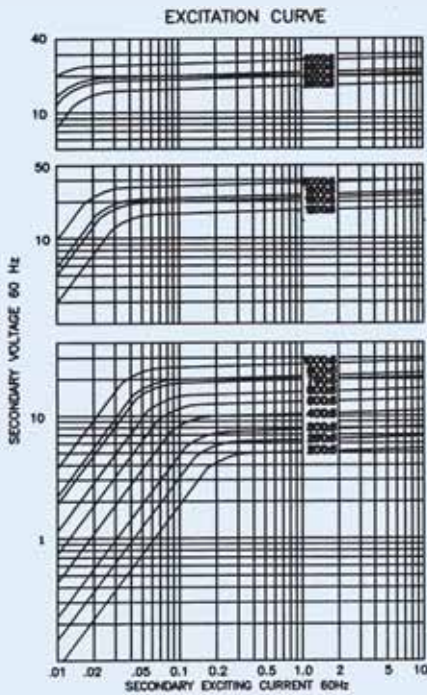


Model 8

Window Diameter 3.25"



Application:

Metering

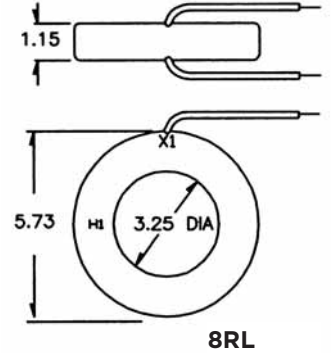
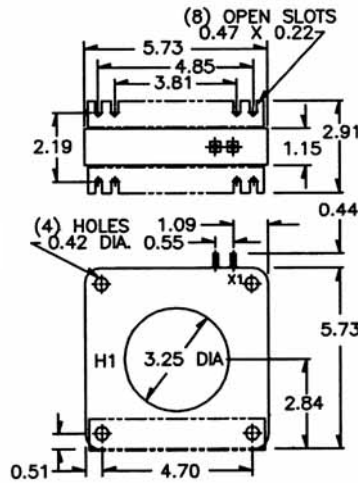
Frequency:

50-400Hz

Insulation Level:

600 Volts, 10kV BIL full wave

- Terminals are brass studs No 8-32 with one flat washer, lockwasher and regular nut
- Flexible leads are UL 1015 105°C, CSA approved, #16 AWG, 24" long
- Non-standard length to be specified
- Model 8SHT also available as 8SHL, with leads
- Order mounting bracket kit separately when required for Model 8SHT
- Approximate weight: 2.5 lbs



Catalogue Number	Current Ratio	V.A. for ±1% class	ANSI Metering class at 60Hz					Secondary winding resistance (OHMS @ 75 °C)	Continuous thermal rating factor	
			B0.1	B0.2	B0.5	B0.9	B1.8		@30 °C	@55 °C
8**-201	200:5	5.0	1.2	1.2	2.4	4.8	4.8	0.030	2.0	2.0
8**-251	250:5*	7.5	0.6	0.6	1.2	2.4	4.8	0.044	2.0	2.0
8**-301	300:5*	15.0	0.6	0.6	1.2	2.4	2.4	0.049	2.0	2.0
8**-401	400:5*	25.0	0.3	0.3	0.6	1.2	2.4	0.079	2.0	1.5
8**-501	500:5*	35.0	0.3	0.3	0.6	0.6	1.2	0.102	2.0	1.5
8**-601	600:5*	50.0	0.3	0.3	0.6	0.6	1.2	0.147	1.5	1.33
8**-751	750:5*	50.0	0.3	0.3	0.3	0.6	1.2	0.184	1.5	1.0
8**-801	800:5*	60.0	0.3	0.3	0.3	0.6	0.6	0.197	1.5	1.0
8**-102	1000:5*	75.0	0.3	0.3	0.3	0.3	0.6	0.246	1.33	1.0
8**-122	1200:5*	75.0	0.3	0.3	0.3	0.3	0.3	0.169	1.5	1.0
8**-152	1500:5*	90.0	0.3	0.3	0.3	0.3	0.3	0.316	1.33	1.0
8**-162	1600:5*	100.0	0.3	0.3	0.3	0.3	0.3	0.337	1.33	0.8
8**-202	2000:5*	120.0	0.3	0.3	0.3	0.3	0.3	0.422	1.0	0.8
8**-252	2500:5*	50.0	0.3	0.3	0.3	0.3	0.3	0.438	1.0	0.8
8**-302	3000:5	60.0	0.3	0.3	0.3	0.3	0.3	0.526	1.0	0.8
8**-322	3200:5	70.0	0.3	0.3	0.3	0.3	0.3	0.561	1.0	0.8
8**-402	4000:5	80.0	0.3	0.3	0.3	0.3	0.3	0.973	0.8	0.6

****NOTE:** When ordering, prefix catalogue number with model designation required, i.e. 8SHT-201, 8RL-301, etc.

Approvals



UL 257877

CSA 223647

X-ON Electronics

Largest Supplier of Electrical and Electronic Components

Click to view similar products for [TE CONNECTIVITY](#) manufacturer:

Other Similar products are found below :

[D38999/24FJ4AN](#) [1-2000677-8](#) [SMD100-2](#) [D38999/20WJ43BD](#) [4-176756-8](#) [983-6SE22-12S7-L](#) [D38999/24ZE35PN](#) [CUA-41-70003](#)
[DJT10F17-26HN](#) [5-1437490-9](#) [7022X3H](#) [983-6SE18-14P9-L](#) [AFD50-16-23SN-6116-LC](#) [603995-1](#) [D38999/24WF32JE](#) [D38999/24WF32SE-](#)
[LC](#) [DTS24W19-32HE](#) [D38999/20WD19SB-LC](#) [842723N001](#) [213904-1](#) [C1177A](#) [AFD51-18-32PW-6116-LC](#) [D38999/24FD19PD](#)
[D38999/24FD19PD-LC](#) [D38999/24FF32BA](#) [D38999/26WH21PB-LC](#) [D38999/20FH21PE](#) [D38999/20FH21PE-LC](#) [D38999/24FH21PN](#)
[DTS20F23-21PE](#) [D38999/20FH21PB-LC](#) [D38999/26FJ35PE](#) [D38999/32Z15N](#) [DTS26W9-35JB-LC](#) [D38999/26JJ29JN](#) [102976-7](#)
[D38999/20FJ4SB-LC](#) [1-2322421-6](#) [D38999/20FJ24SB-LC](#) [MS3474L12-10P-LC](#) [MS3474L12-10PW-LC](#) [MS27467T21F16P-LC](#) [D50184-000](#)
[WINTOTAL-6-END-USER-LICENCE](#) [164-8033-08](#) [DTS26W17-99HA](#) [MS27468T17F26H](#) [DJT14F17-26HN](#) [DJT14F17-26HB](#)
[AFD58-24-61PY-1A](#)