

FSK TRANSMITTER

50 Ω Output

868.3 MHz – 3 V version / Cod. 3-2000553

DESCRIPTION:

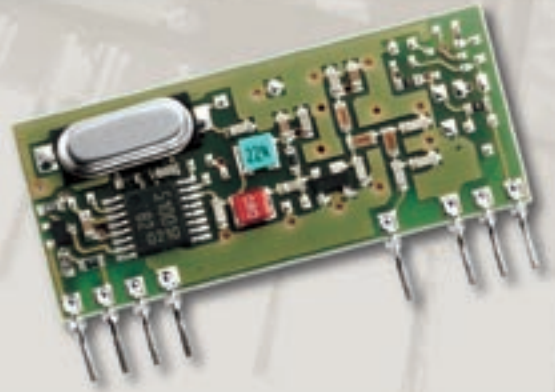
FSK Transmitter, with crystal locked oscillator, manufactured in SMT technology on printed circuit. Booster stage to improve output power.
FSK Transmitter, with crystal locked oscillator, manufactured in SMT technology on printed circuit. Booster stage to improve output power.

HIGHLIGHTS:

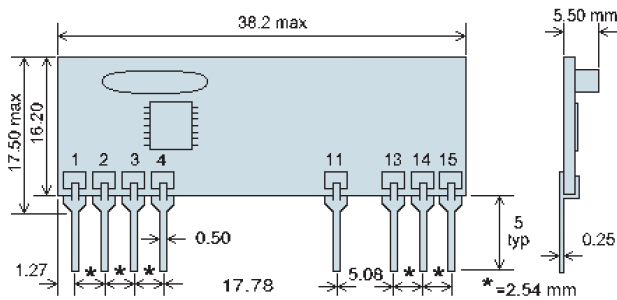
High output power with low supply voltage.
Developed according to I-ETS 300 220 and ETS 300 683 European Standard.

APPLICATIONS:

Domestic Security, Surveillance Systems,
Data Transmission, perfect for battery supply systems.



MECHANICAL CHARACTERISTICS



Pin functions

- 1 = GND
- 2 = Tx DATA
- 3 = NOT CONNECTED
- 4 = GND
- 11 = RF OUTPUT (50Ω)
- 13 = GND
- 14 = Tx ENABLE (Note3)
- 15 = +Vcc

ABS. MAX. RATINGS

Power Supply, +Vcc, pin 15:	+ 4 Volt
Storage Temperature:	- 40 ÷ + 100 °C
Operating Temperature:	- 20 ÷ + 70 °C

ELECTRICAL CHARACTERISTICS AT 25 °C :

Parameter	Min.	Typ.	Max	Unit	Notes
Power Supply (+Vcc)	2.4	3	3.6	Volt	
Supply Current	-	28	-	mA	Note 1
Carrier Frequency	868.250	868.300	868.350	MHz	
FSK Modulation	-	± 30	-	kHz	
Output Power (50Ω load)	+10	+12	-	dBm	Note 1
Second Harmonic Level (load 50Ω)	-	-	-30	dBm	
Start-up Time	-	-	1.5	ms	Note 1
Logic Low	-0.7	-	0.4	Volt	
Logic High	2.0	-	3.5	Volt	
Baud Rate	-	-	38400	Baud	

Note 1: +Vcc = 3V, 1 kHz square wave modulation 0-3 V, duty-cycle 50%

Note 2: power supply versions from 5V to 12V are available on request

Note 3: Tx ENABLE is available only on 5V to 12 V versions with voltage regulator.

MIPOT S.P.A.

Via Corona, n.5
(Zona Ind.)

34701 Cormons (GO)

Italy

Tel.+39 0481 630200 ra.

Fax +39 0481 62387

mipot@mipot.com

X-ON Electronics

Largest Supplier of Electrical and Electronic Components

Click to view similar products for [Mipot](#) manufacturer:

Other Similar products are found below :

[Mipot](#)