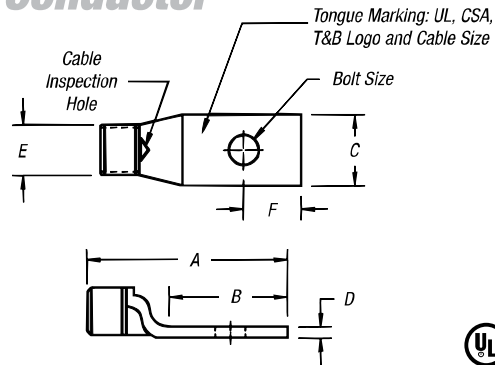


Compression Connectors for Copper Conductor

One-Hole Lugs — Standard Barrel 600V to 35kV

Material: High-Conductivity Wrought Copper

Finish: Electro Tin Plate



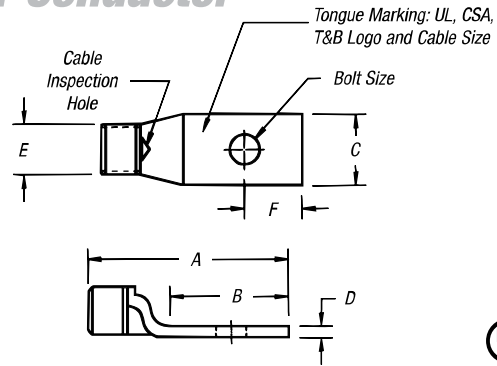
CAT. NO.	WIRE SIZE			DIMENSIONS (IN.)						DIE CODE	DIE COLOR	
	CODE	FLEX CLASS G, H, I, K, M†	BOLT SIZE	A	B	C	D	E	F			
54101			¼	1.23	.56	.50	.05	.20	¼		"C" NEST	
256-30695-1351	#14-10 AWG		#8	1.36	.68	.36	.05	.20	¼	ERG4002		
256-30695-1352			¼	1.36	.68	.41	.05	.20	¼	ERG4005		
256-30695-263			¼	1.69	.81	.50	.07	.20	¼			
54104			#10	1.16	.50	.39	.08	.25	⅜	21	RED	
54130	#8 AWG	23 Navy	¼	1.20	.61	.45	.07	.25	¼	21		
54131		#8 Weld	⅝	1.33	.64	.56	.05	.25	⅝	21		
54132		37/24 = 14.9 kcmil	⅝	1.33	.64	.56	.05	.25	⅝	21		
256-30695-424			½	1.75	1.31	1.00	.13	.25	½	21	BLUE	
256-30695-1361	#6 AWG		#12	1.23	.53	.44	.07	.31	⅞	24		
54134		#30 Navy	¼	1.23	.53	.44	.07	.31	⅞	24		
54105		#6 Weld	⅝	1.41	.67	.60	.07	.31	⅝	24		
54135	61/24 = 24.6 kcmil	133/.014	⅝	1.41	.67	.60	.07	.31	⅝	24	GRAY	
256-30695-282			⅝	1.41	.75	.56	.06	.31	⅝	24		
256-30695-422			½	1.75	1.31	1.00	.13	.31	½	24		
256-30695-1362	#4 AWG	91/24 = 36.7 kcmil	#4 Weld	#12	1.38	.60	.55	.09	.37	¼		29
54138			40-50 Navy	#10	1.38	.60	.55	.09	.37	¼	29	
54106			133/.0177	⅝	1.42	.66	.61	.07	.37	⅝	29	
54139	49/.029	#5 91/24	⅝	1.42	.66	.61	.07	.37	⅝	29	BROWN	
256-30695-233			⅝	1.56	.75	.59	.06	.37	⅝	29		
256-30695-264			½	2.20	1.40	1.00	.06	.37	½	29		
54107	#2 AWG	125/24 = 50.5 kcmil	#60 Navy	¼	1.50	.65	.59	.11	.41	¼		33
54142-TB			⅝	1.73	.88	.59	.11	.41	⅝	33		
54143-TB			#3 Weld	⅝	1.65	.80	.59	.11	.41	⅝	33	
54145-TB	#1 AWG	175/24 = 70.6 kcmil	½	1.92	1.08	.75	.08	.41	½	33	GREEN	
54108			75 Navy, #2 Weld	¼	1.50	.65	.68	.11	.47	¼		37
54147			150/24 = 60.5 kcmil	⅝	1.73	.93	.68	.11	.47	⅝		37
54148	133/.0223	#100 Navy	⅝	1.78	.98	.68	.11	.47	⅝	37		PINK
54150			2.10	1.25	.76	.11	.47	½	37			
54152-TB			¼	1.60	.65	.75	.13	.52	¼	42		
54153-TB	1/0 AWG	225/24 = 90.8 kcmil	⅝	1.83	.88	.75	.13	.52	⅝	42		
54109			#1 Weld	⅝	1.88	.93	.75	.13	.52	⅝	42	
54155-TB			½	2.20	1.25	.75	.13	.52	½	42		
256-30695-1383	2/0 AWG	275/24 = 111 kcmil	⅝	2.54	1.50	.88	.13	.52	⅝	42	BLACK	
54157			125 Navy	¼	1.65	.65	.83	.13	.57	¼		45
54158			1/0 Weld	⅝	1.88	.88	.83	.13	.57	⅝		45
54110	427/.0155	133/.0282	⅝	1.93	.93	.83	.13	.57	⅝	45		
54160			½	2.25	1.25	.83	.13	.57	½	45		
256-30695-131			⅝	2.56	1.50	.83	.13	.57	⅝	45		

† Contact Technical Services for specific stranding listings

Tooling: pp. F-80-F-100

Die Selector Chart: pp. F-101-F-104

Compression Connectors for Copper Conductor



CAT. NO.	WIRE SIZE			DIMENSIONS (IN.)						DIE CODE	DIE COLOR
	CODE	FLEX CLASS G, H, I, K, M ¹	BOLT SIZE	A	B	C	D	E	F		
54162-TB		150 Navy, 2/0 Weld	¼	1.75	.65	.92	.13	.63	¼	50	ORANGE
54163-TB	3/0 AWG	325/24 = 131 kcmil	⅝	1.98	.88	.92	.13	.63	⅝	50	
54111		133/.0316, 259/.0227	⅝	2.03	.93	.92	.13	.63	⅝	50	
54165-TB		427/.0177	½	2.35	1.25	.92	.13	.63	½	50	PURPLE
54167	4/0 AWG	200 Navy	¼	1.90	.65	1.03	.14	.70	¼	54	
54168		3/0 Weld	⅝	2.13	.87	1.03	.14	.70	⅝	54	
54112		450/24 = 182 kcmil	⅝	2.18	.93	1.03	.14	.70	⅝	54	
54170		703/.0154	½	2.50	1.25	1.03	.14	.70	½	54	YELLOW
256-30695-1174			¾	2.86	1.56	1.03	.14	.70	¾	54	
58161		4/0 Weld	¼	2.23	.78	1.25	.15	.79	¾	62	
58162		550/24 = 222 kcmil	⅝	2.33	.88	1.25	.15	.79	¾	62	YELLOW
58163		133/.0399	⅝	2.38	.93	1.25	.15	.79	¾	62	
58165		259/.0286	½	2.76	1.25	1.25	.15	.79	½	62	
58166		637/.0183	⅝	3.03	1.58	1.25	.15	.79	¾	62	WHITE
54172-TB			¼	2.00	.65	1.13	.14	.77	½	62	
54173	250 kcmil	250 Navy	⅝	2.23	.88	1.13	.14	.77	¾	62	
54174			⅝	2.28	.93	1.13	.14	.77	¾	62	
54113			½	2.60	1.25	1.13	.14	.77	½	62	WHITE
58168		250 Weld, 650/24 = 262 kcmil, 259/.0311, 703/.0189	½	2.70	1.25	1.25	.15	.85	½	66	
54178	300 kcmil	300 Navy	⅝	2.33	.88	1.25	.15	.85	¾	66	
54179			⅝	2.43	.93	1.25	.15	.85	¾	66	
54114			½	2.70	1.25	1.25	.15	.85	½	66	
54181			⅝	3.03	1.58	1.25	.15	.85	¾	66	RED
58171		300 Weld, 259/.034, 427/.0265, 889/.0183 775/24 = 313 kcmil	½	2.85	1.25	1.36	.18	.93	½	71	
256-30695-112			⅝	2.90	1.13	1.36	.18	.93	½	71	
54115	350 kcmil	350 Navy	½	2.85	1.25	1.36	.18	.93	½	71	RED
54183			⅝	3.21	1.58	1.36	.18	.93	¾	71	
58174		350 Weld, 259/.0368, 427/.0285, 703/.0224, 889/.0201	½	3.35	1.25	1.61	.22	1.09	½	76	BLUE
54116	400 kcmil	400 Navy	½	3.20	1.25	1.41	.17	.96	½	76	
54185			⅝	3.53	1.58	1.41	.17	.96	¾	76	

¹ Contact Technical Services for specific stranding listings

Tooling: pp. F-80-F-100

Die Selector Chart: pp. F-101-F-104

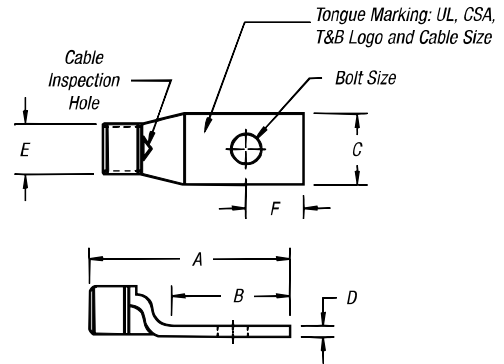
Connectors & Grounding — Blackburn® Compression Connectors Featuring the Color-Keyed® System

Compression Connectors for Copper Conductor

One-Hole Lugs — Standard Barrel 600V to 35kV (continued)

Material: High-Conductivity Wrought Copper

Finish: Electro Tin Plate



CAT. NO.	WIRE SIZE			DIMENSIONS (IN.)						DIE CODE	DIE COLOR	
	CODE	FLEX CLASS G, H, I, K, M†	BOLT SIZE	A	B	C	D	E	F			
		400 Weld										
256-30695-1403		925/24 = 373 kcmil	3/8	3.31	1.31	1.61	.22	1.04	3/8	80	N/A	
58177		259/.0393 or 427/.0306	1/2	3.31	1.25	1.61	.22	1.04	1/2	80		
256-30695-339			3/8	3.10	1.00	1.61	.22	1.10	3/8	87	BROWN	
54118	500 kcmil	500 Navy	1/2	3.30	1.25	1.61	.22	1.10	1/2	87		
54187			3/8	3.63	1.58	1.61	.22	1.10	3/8	87		
58180		450 Flex, 1127, 4522 1100/24 = 444 kcmil	3/8	3.79	1.58	1.75	.24	1.20	3/8	94	GREEN	
256-30695-1370			1/2	3.65	1.44	1.75	.24	1.20	3/16	94		
54120	600 kcmil		3/8	3.79	1.58	1.75	.24	1.20	3/8	94	PINK	
54122-TB	700 kcmil		3/8	3.68	1.58	1.84	.23	1.26	3/8	99		
256-30695-1404		1325/24 = 535 kcmil	3/8	3.29	1.29	1.81	.28	1.25	21/32	99	PINK	
256-30695-1405		500 Flex 427/.0342	1/2	3.29	1.29	1.81	.28	1.25	21/32	99		
256-30695-840		259, 4125, 5054	3/8	4.00	1.69	1.81	.28	1.25	31/64	99		
58182			3/8	3.83	1.58	1.81	.28	1.25	3/8	99	BLACK	
256-30695-193		600 Flex 427	1/2	4.00	1.69	1.94	.27	1.33	31/64	106		
54123-TB	750 kcmil		3/8	3.87	1.58	1.94	.27	1.33	3/8	106	ORANGE	
58184		1600/24 = 646 kcmil	3/8	3.80	1.58	1.94	.27	1.33	3/8	106		
54124-TB	800 kcmil	800 Navy	3/8	4.04	1.58	2.01	.27	1.38	3/8	107	YELLOW	
256-30695-843		1925/24 = 777 kcmil	1/2	4.31	1.81	2.17	.31	1.50	7/8	115		
54126	900 kcmil		3/8	4.15	1.58	2.17	.31	1.50	3/8	115	N/A	
54126		900 Navy	3/8	4.15	1.58	2.17	.31	1.50	3/8	115		
54128	1000 kcmil	1000 Navy	3/8	4.09	1.58	2.27	.30	1.55	3/8	125		

† Contact Technical Services for specific stranding listings

Tooling: pp. F-80-F-100

Die Selector Chart: pp. F-101-F-104

Note: Angled Lugs can be readily available as: 15°, 30°, 45°, 60°, and 90°

X-ON Electronics

Largest Supplier of Electrical and Electronic Components

Click to view similar products for [ABB manufacturer:](#)

Other Similar products are found below :

[TY27MX](#) [TV10-516R](#) [RF727](#) [2CMA100178R1000](#) [ACS150-01E-09A8-2](#) [KS70-1104](#) [A75-30-11-230V-50HZ](#) [10-100](#) [5SDD](#) [92Z0401](#)
[ESV14-BS](#) [EZS-21-250](#) [F204AC-40/0.1](#) [F362-25/0.03](#) [A40-30-10-84](#) [AF26-30-00-14](#) [AF30-30-00-13](#) [AF460-30-11-68](#) [AF50-30-11-70](#)
[1455](#) [B14-250](#) [EF45-30](#) [ERG297](#) [HSC2-20](#) [1SAM201904R1001](#) [1SAM350000R1003](#) [1SAZ711201R1045](#) [1SAZ721201R1009](#)
[1SAZ721201R1014](#) [1SAZ721201R1025](#) [1SAZ721201R1045](#) [1SBL367001R1300](#) [1SDA057197R1](#) [1SFA611100R1104](#) [1SFA611101R1002](#)
[1SFA611130R1103](#) [1SFA611133R1106](#) [1SFA611143R1101](#) [1SFA611202R1108](#) [1SFA611203R1108](#) [1SFA611210R1101](#)
[1SFA611215R1001](#) [1SFA611216R1108](#) [1SFA611281R1002](#) [1SFA611285R1002](#) [1SFA611702R6006](#) [1SFA616162R1025](#)
[1SFA896106R1100](#) [1SVR730020R0200](#) [IPC4111](#) [OHB125J12](#)