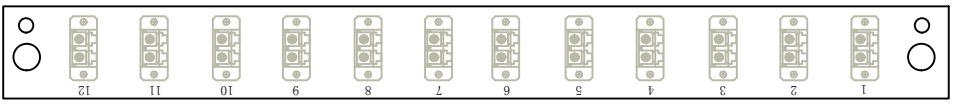
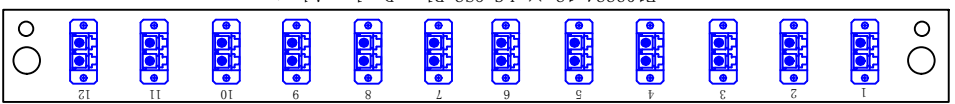


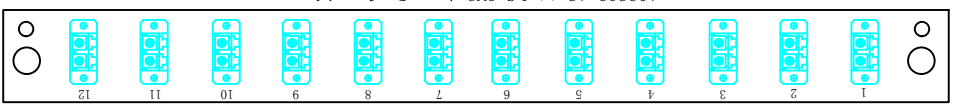
19" 1U Fiber Optic Patch panel Front panel for 12 x LC Duplex Adapter vertical, Black



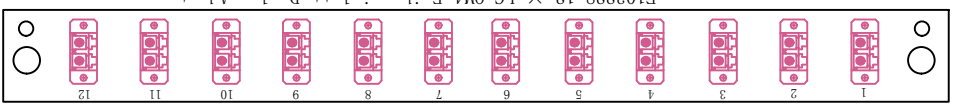
F103227 12 x LC OM2 Beige Duplex Adapter



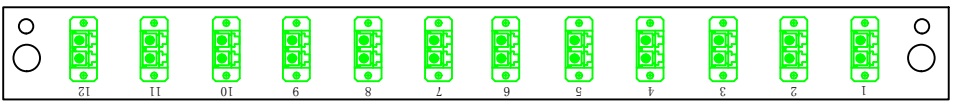
F103224 12 x LC OS2 Blue Duplex Adapter



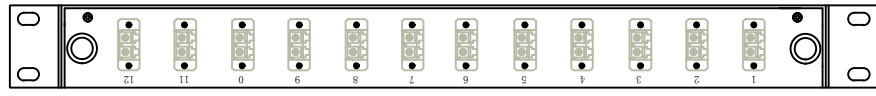
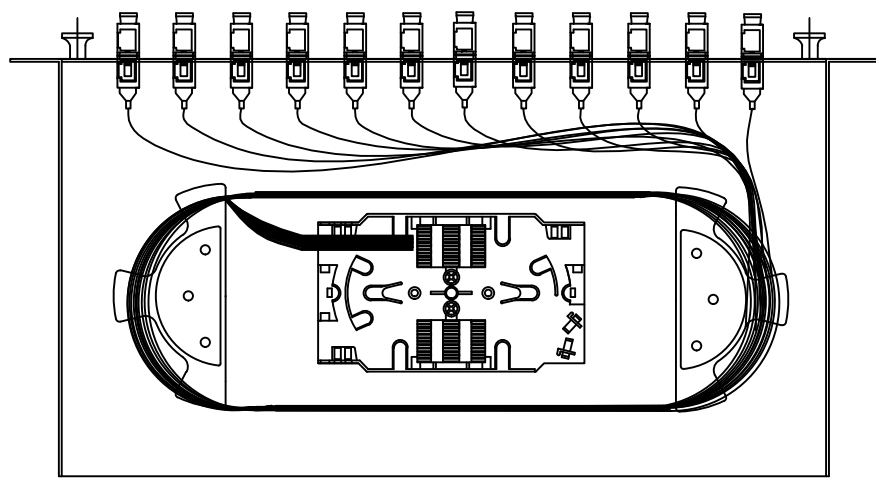
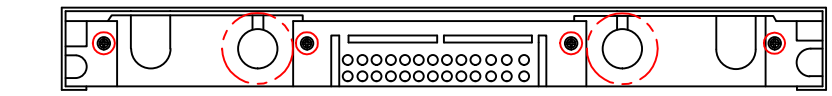
I03203 12 x LC OM3 Aqua Duplex Adapter



F103228 12 x LC OM4 Erika violet Duplex Adapter



F103223 12 x LC APC Green Duplex Adapter



MATERIAL LIST:

NO.	PARTS NAME	SPECIFICATION DESCRIPTION	QT Y	REMARK
①	Adapter	LC Duplex Adapter	12	
②	Pigtail	Pigtail LC 12 different colours	2	
③	Splicing tray	24 Core Splicing tray	1	
④	Spool	Fibre cable management Spool	2	
⑤	Push pin	ABS OD:15.8	2	
⑥	Screw	ST 2*10 Screw	24	

NOTE:  
 ROHS 2.0 COMPLIANT  
 1. Black(RAL 9005) matt black surface treatment  
 2. 1 2 3 4 .....12  
 3.packing:IPCS/PE BAG+inner box +label

LogiLink Professional F12LC2/3/4

BY	CHK	REVISION RECORD MODIFICATIONS	DATE	REV.	DRAWNBY	CHECKBY	APPROBY	DATE
		NEW	2016.08.25	A				

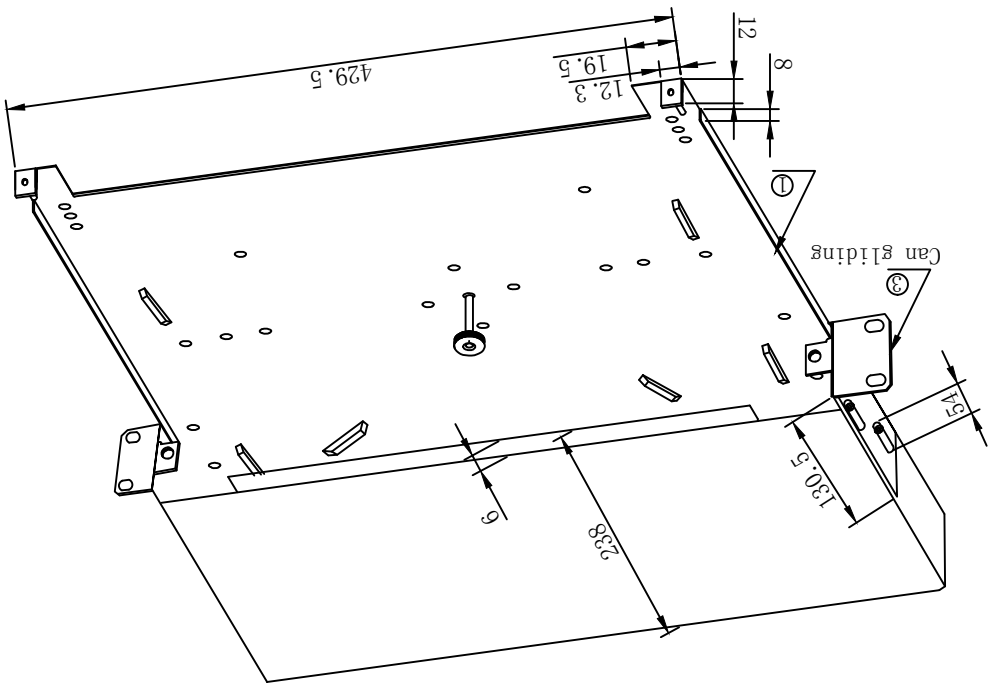
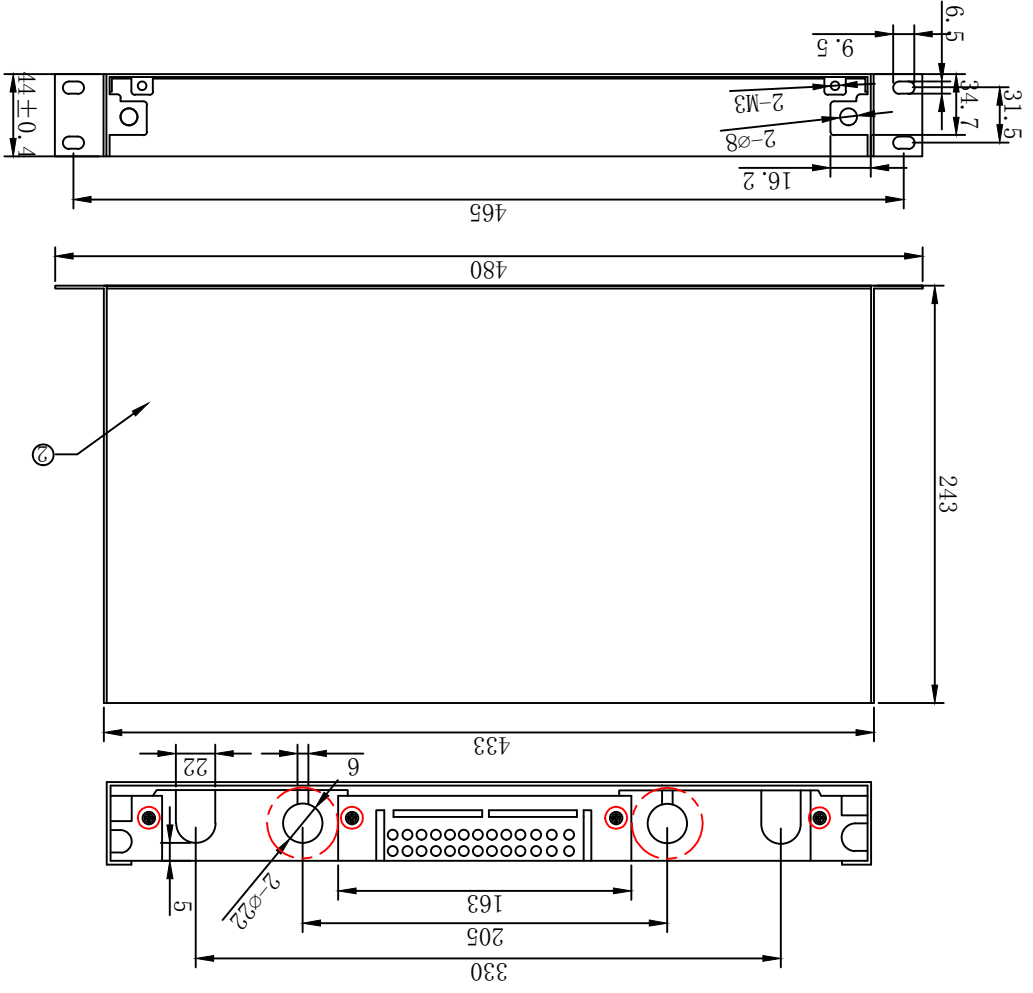
PRODUCT NAME	ITEM NO.	UNIT	MM
19" Fiber Optic Patch Panel, Fully loaded 1U" sliding type with 12 core LC DX Adapter and Pigtail			

BY	CHK	REVISION RECORD MODIFICATIONS	DATE	REV.	DRAWNBY	CHECKBY	APPROBY	DATE
		NEW	2016.08.25	A				2016.08.25
					PRODUCT NAME	ITEM NO.	UNIT	MM
					19" Fiber Optic Patch Panel, IU" sliding type			

NO.	PARTS NAME	SPECIFICATION DESCRIPTION	QTY	REMARK
①	Bottom Panel	1.0mm thickness Metallic Panel with plastic powder cladding	1	
②	Upper Panel Cover	1.0mm thickness Metallic Panel with plastic powder cladding	1	
③	Mounting	1.5mm thickness Metallic Panel with plastic powder cladding	2	
④	Front panel	1.0mm thickness Metallic Panel with plastic powder cladding	1	
⑤	Push pin	ABS OD:15.8	2	

MATERIAL LIST:

NOTE:  
 ROHS 2.0 COMPLIANT  
 19" Fiber Optic Patch Panel, IU" Sliding Type  
 Changeable Front Panel  
 Bottom panel 45° degree clipable  
 Colour:Black(RAL 9005)  
 Accessory: Screw and Nut M6\*18mm x 4set  
 Cable Glands PG13.5 x 2 pcs  
 Cable Tie 2.2\*80mm x 6 pcs



BY	CHK	REVISION RECORD MODIFICATIONS	DATE	REV.	DRAWNBY	CHECKBY	APPROBY	DATE
		NEW	2016.08.25	A				2016.08.25

ITEM NO.	2Direct GmbH
ITEM NO.	

PRODUCT NAME	LC/APC Green (ceramic) Duplex Plastic Adapter (SC SX Footprint)
--------------	---

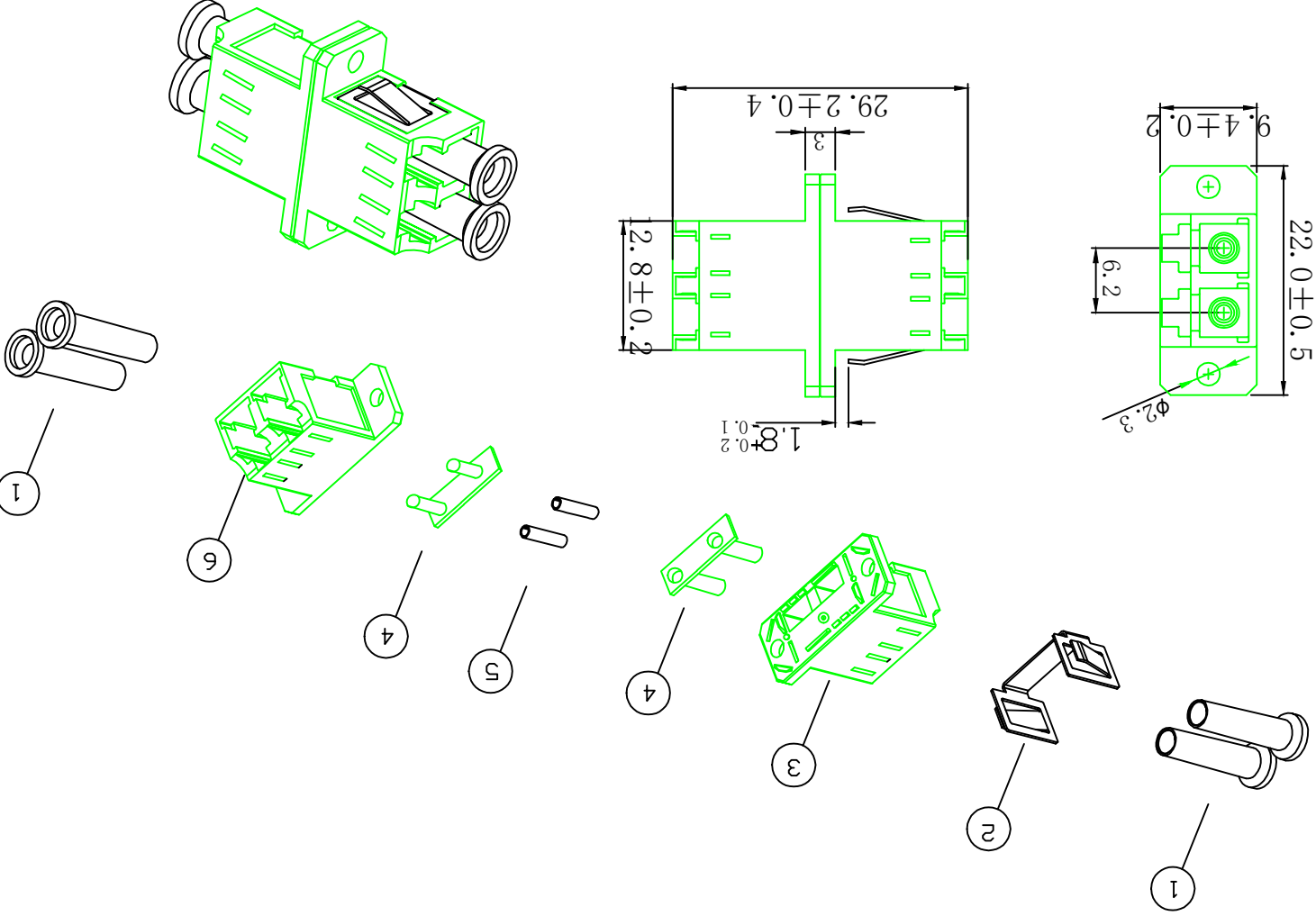
LogiLink Professional F12LC2/3/4
----------------------------------

NO.	SPECIFICATION STANDARD	QTY	REMARK
①	LC White Dust Cap	4pcs	
②	LC Metal Mount	1pcs	
③	LC Green Body (SC simplex footprint)	1pcs	
④	Green bush	2pcs	
⑤	LC Sleeve ceramic (APC)	1pcs	
⑥	LC Green Body (SC simplex footprint)	1pcs	

**MATERIAL LIST:**

Insertion Loss (typical) (dB)	≤0.12
Insertion Loss (dB)	≤0.20
Operating Temperature (°C)	-40 ~ +80
Storage Temperature (°C)	-40 ~ +85

NOTE:  
RoHS 2.0 & Reach COMPLIANT



BY	CHK	REVISION RECORD MODIFICATIONS	DATE	REV.	DRAWNBY	CHECKBY	APPBY	DATE
		NEW	2016.08.25	A				2016.08.25

UNIT	MM	ITEM NO.	2Direct GmbH
ITEM NO.		ITEM NO.	

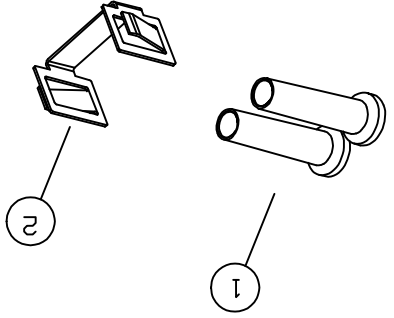
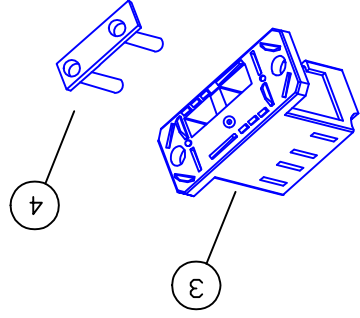
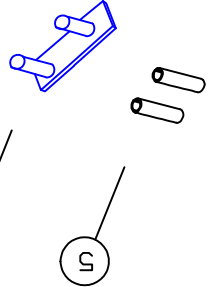
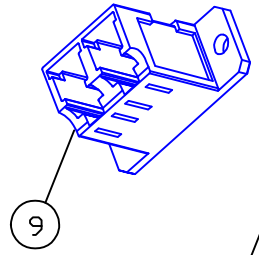
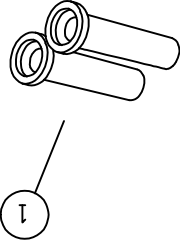
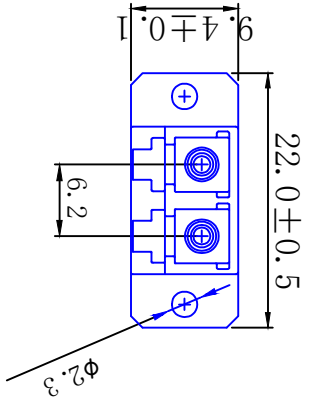
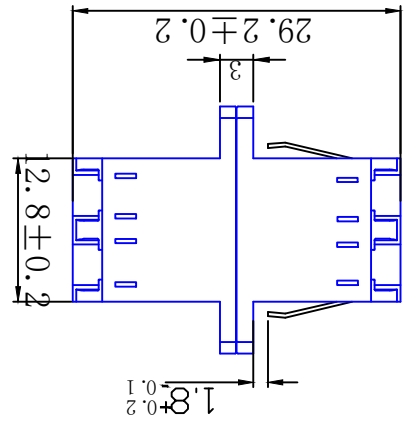
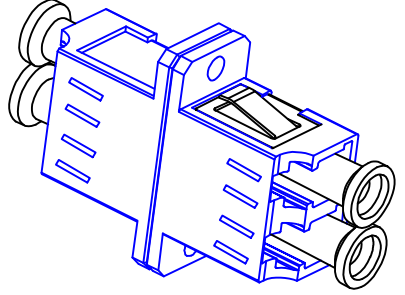
PRODUCT NAME	LC SM(ceramic) Duplex Plastic Adapter (SC SX Footprint)
LogiLink Professional F12LC2/3/4	

NO.	SPECIFICATION STANDARD	QTY	REMARK
①	LC White Dust Cap	4pcs	
②	LC Metal Mount	1pcs	
③	LC Blue Body (SC simplex footprint)	1pcs	
④	Blue bush	2pcs	
⑤	LC Sleeve ceramic(Single-Mode)	1pcs	
⑥	LC Blue Body (SC simplex footprint)	1pcs	

**MATERIAL LIST:**

Insertion Loss (typical) (dB)	≤0.12
Insertion Loss (dB)	≤0.20
Operating Temperature (°C)	-40 ~ +80
Storage Temperature (°C)	-40 ~ +85

NOTE: ROHS 2.0 & Reach COMPLIANT



BY	CHK	REVISION RECORD MODIFICATIONS	DATE	REV.	DRAWNBY	CHECKBY	APPROBY	DATE
		NEW	2016.08.25	A				2016.08.25

ITEM NO.	2Direct GmbH
ITEM NO.	

PRODUCT NAME	LC MM Erika violett (ceramic) Duplex Plastic Adapter (SC SX Footprint)
--------------	--

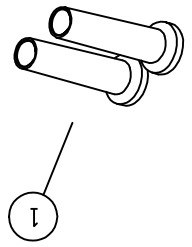
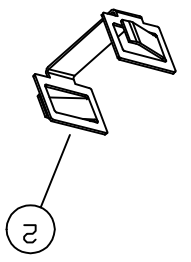
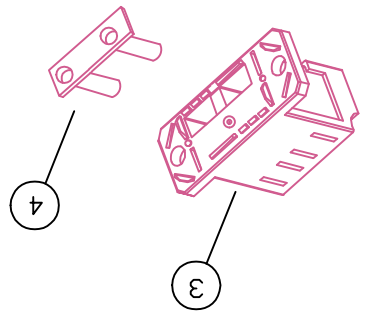
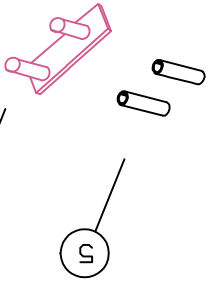
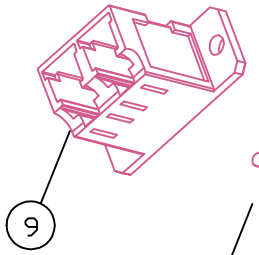
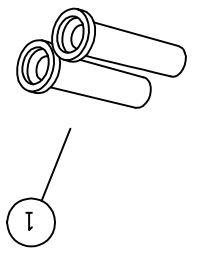
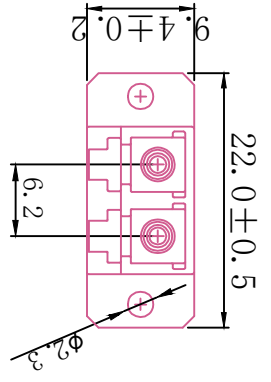
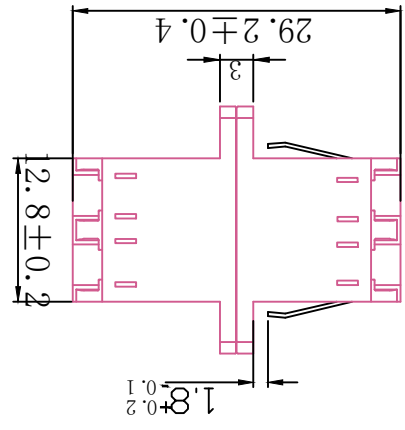
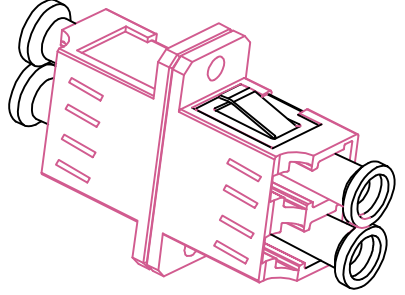
UNIT	MM
------	----

NO.	SPECIFICATION STANDARD	QTY	REMARK
①	LC White Dust Cap	4pcs	
②	LC Metal Mount	1pcs	
③	LC Erika violett Body RAL4003 (SC simplex footprint)	1pcs	
④	Erika violett bush RAL4003	2pcs	
⑤	LC Sleeve ceramic (Multi-Mode)	1pcs	
⑥	LC Erika violett Body RAL4003 (SC simplex footprint)	1pcs	

**MATERIAL LIST:**

Insertion Loss (typical) (dB)	≤0.12
Insertion Loss (dB)	≤0.20
Operating Temperature (°C)	-40 ~ +80
Storage Temperature (°C)	-40 ~ +85

NOTE: RoHS 2.0 & Reach COMPLIANT



BY	CHK	REVISION RECORD MODIFICATIONS	DATE	REV.	DRAWNBY	CHECKBY	APPROBY	DATE
		NEW	2016.08.25	A				2016.08.25

ITEM NO.	2Direct GmbH
UNIT	
MM	

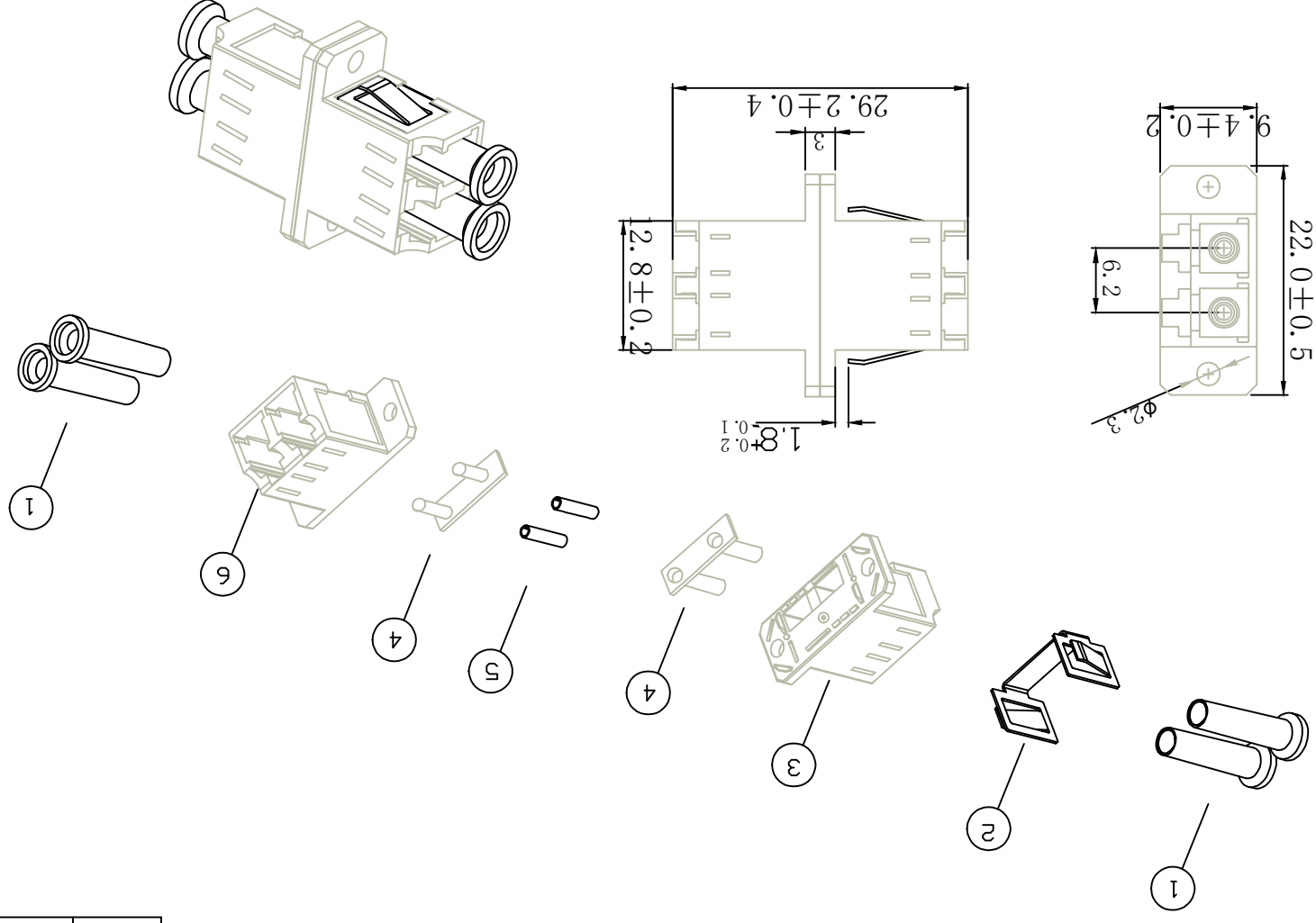
PRODUCT NAME	LC MM beige (ceramic) Duplex Plastic Adapter (SC SX Footprint)
--------------	--

NO.	SPECIFICATION STANDARD	QTY	REMARK
①	LC White Dust Cap	4pcs	
②	LC Metal Mount	1pcs	
③	LC beige Body (SC simplex footprint)	1pcs	
④	Beige bush	2pcs	
⑤	LC Sleeve ceramic (Multi-Mode)	1pcs	
⑥	LC beige Body (SC simplex footprint)	1pcs	

**MATERIAL LIST:**

Insertion Loss (typical) (dB)	≤0.12
Insertion Loss (dB)	≤0.20
Operating Temperature (°C)	-40 ~ +80
Storage Temperature (°C)	-40 ~ +85

NOTE:  
RoHS 2.0 & Reach COMPLIANT



BY	CHK	REVISION RECORD MODIFICATIONS	DATE	REV.	DRAWNBY	CHECKBY	APPROBY	DATE
		NEW	2016.08.25	A				2016.08.25

ITEM NO.	2Direct GmbH
ITEM NO.	

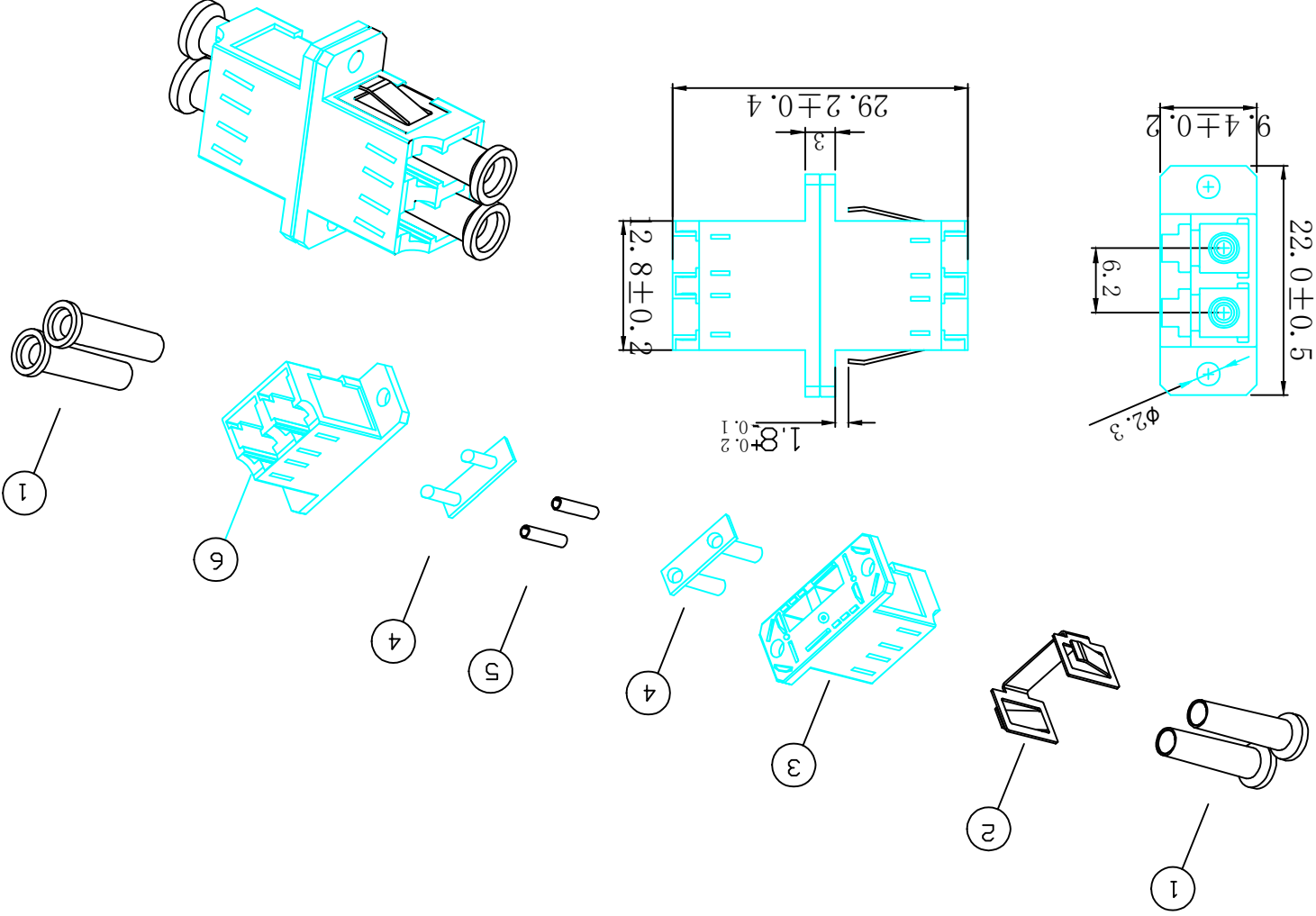
PRODUCT NAME	LC MM Aqua (ceramic/Duplex Plastic Adapter (SC SX Footprint))
UNIT	MM

NO.	SPECIFICATION STANDARD	QTY	REMARK
①	LC White Dust Cap	4pcs	
②	LC Metal Mount	1pcs	
③	LC Aqua Body (SC simplex footprint)	1pcs	
④	Aqua bush	2pcs	
⑤	LC Sleeve ceramic (Multi-Mode)	1pcs	
⑥	LC Aqua Body (SC simplex footprint)	1pcs	

**MATERIAL LIST:**

Insertion Loss (typical) (dB)	≤0.12
Insertion Loss (dB)	≤0.20
Operating Temperature (°C)	-40 ~ +80
Storage Temperature (°C)	-40 ~ +85

NOTE:  
RoHS 2.0 & Reach COMPLIANT



NOTE:  
The primary coating and secondary coating  
have the same colour  
ROHS 2.0 Compliant

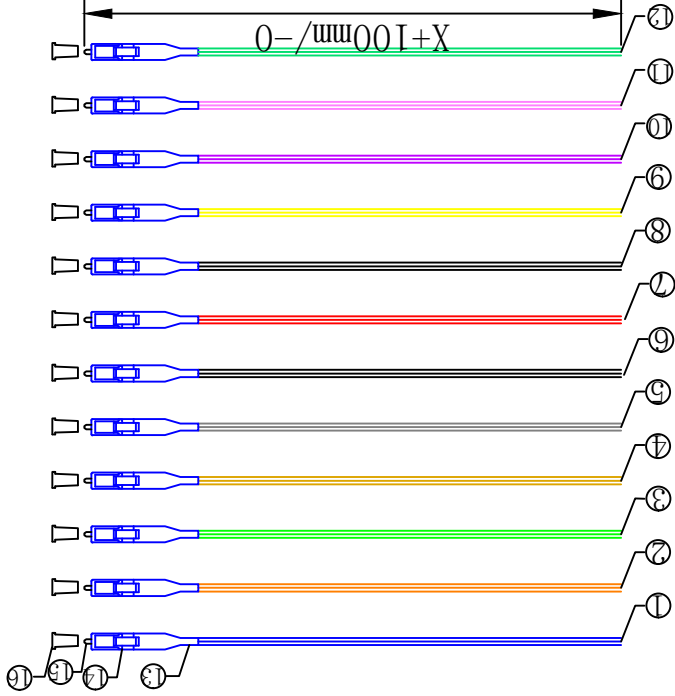
MATERIAL LIST:

NO.	SPECIFICATION STANDARD	QTY	REMARK
①	Fiber Cable LOOSE TUBE SM 9/125 0.9mm BLUE LSZH	Xm	
②	Fiber Cable LOOSE TUBE SM 9/125 0.9mm ORANGE LSZH	Xm	
③	Fiber Cable LOOSE TUBE SM 9/125 0.9mm GREEN LSZH	Xm	
④	Fiber Cable LOOSE TUBE SM 9/125 0.9mm BROWN LSZH	Xm	
⑤	Fiber Cable LOOSE TUBE SM 9/125 0.9mm GREY LSZH	Xm	
⑥	Fiber Cable LOOSE TUBE SM 9/125 0.9mm WHITE LSZH	Xm	
⑦	Fiber Cable LOOSE TUBE SM 9/125 0.9mm RED LSZH	Xm	
⑧	Fiber Cable LOOSE TUBE SM 9/125 0.9mm BLACK LSZH	Xm	
⑨	Fiber Cable LOOSE TUBE SM 9/125 0.9mm YELLOW LSZH	Xm	
⑩	Fiber Cable LOOSE TUBE SM 9/125 0.9mm VIOLET LSZH	Xm	
⑪	Fiber Cable LOOSE TUBE SM 9/125 0.9mm PINK LSZH	Xm	
⑫	Fiber Cable LOOSE TUBE SM 9/125 0.9mm TURQUOISE LSZH	Xm	
⑬	LC 0.9 Blue Boot	12	
⑭	LC SM Blue 0.9 Connector	12	
⑮	LC/UPC SM Ferrule 125-126um	12	
⑯	LC White Dust Cap	12	

BY	CHK	REVISION RECORD MODIFICATIONS	DATE	REV.	DRAWNBY	CHECKBY	APPROBY	DATE
		NEW	2016.08.25	A				2016.08.25
					PRODUCT NAME	Pigtail LC/UPC SM 9/125 μm	ITEM NO.	
						12 different colours		
							UNIT	MM

2Direct Gmbh	ITEM NO.	

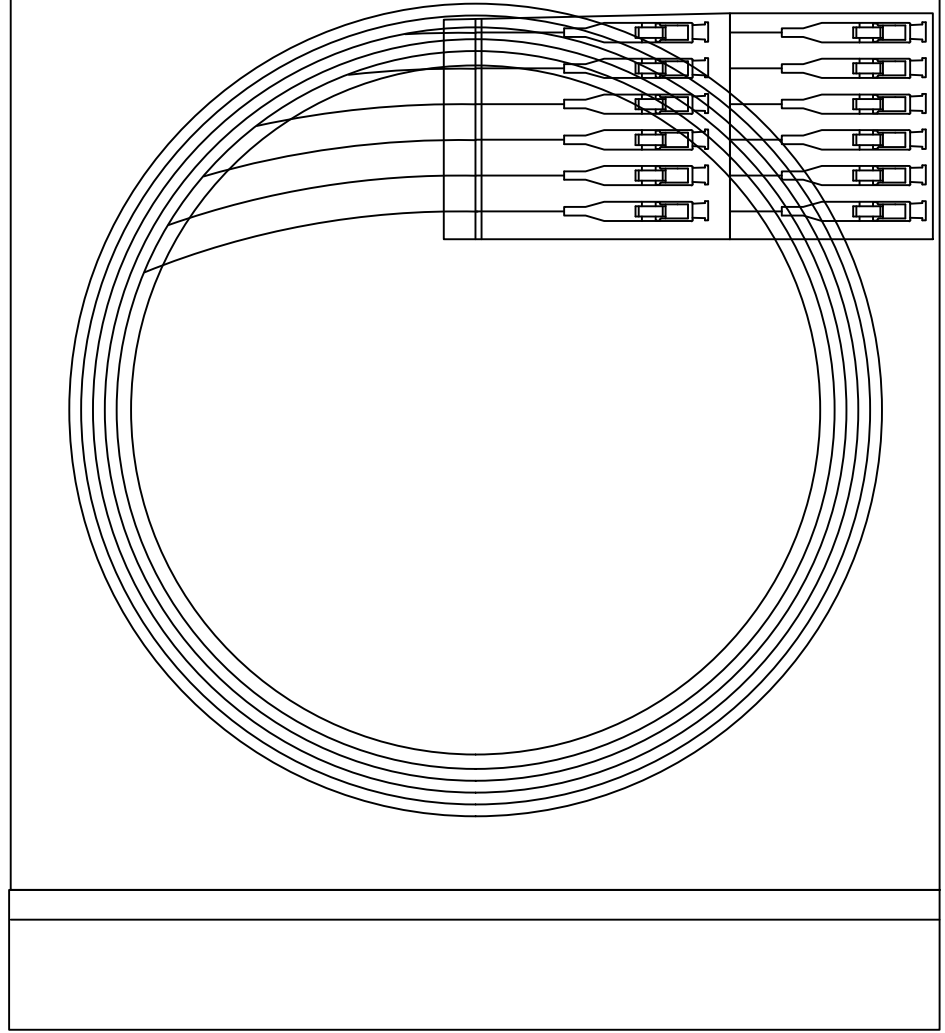
Type	Single-Mode
Insertion Loss	<=0.3dB
Return Loss	>50dB
Test Wavelength	1310nm





BY	CHK	REVISION RECORD MODIFICATIONS	DATE	REV.	DRAWNBY	CHECKBY	APPOBY	DATE
		NEW	2016. 08. 25	A				2016. 08. 25
					PRODUCT	Pigtail LC/UFC SM 9/125 μm	ITEM NO.	UNIT
					NAME	12 different colours		MM

	2Direct Gmbh	ITEM NO.



TEST REPORT			
Batch No.	PO NO.	Test	Wavelength:
ITEM No.	Pigtail set LC single mode 9/125, 12different colour xm OD 0.9mm LSZH loose tube		
Allow Loss	Insertion Loss	Return Loss	(SM)
0.3dB	50dB		
TEST VALUES			
Fiber	Insertion Loss (dB)	Return Loss (dB)	
BLUE			
ORANGE			
GREEN			
BROWN			
GREY			
WHITE			
RED			
BLACK			
YELLOW			
VIOLET			
PINK			
TURQUOISE			
RESULT	OK		

NOTE:  
The primary coating and secondary coating  
have the same colour

ROHS 2.0 Compliant

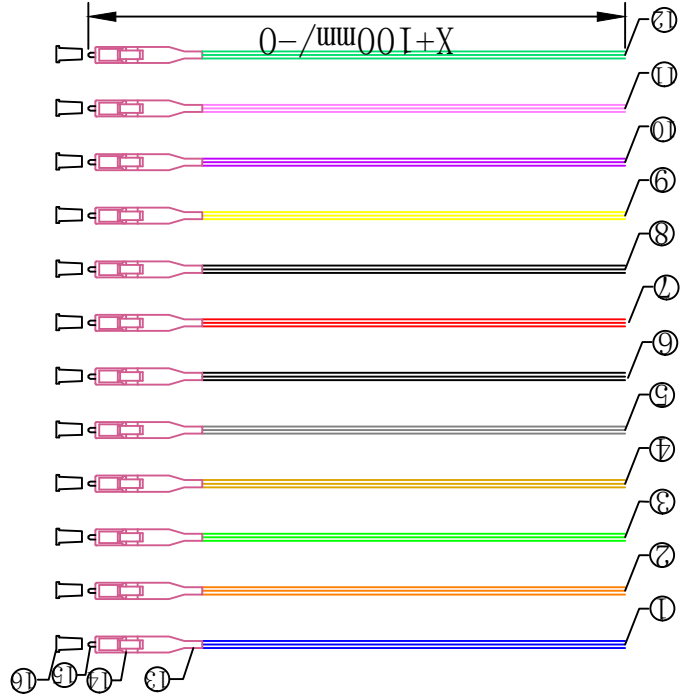
MATERIAL LIST:

NO.	SPECIFICATION STANDARD		QTY	REMARK
①	Fiber Cable LOOSE TUBE OM4 50/125 0.9mm BLUE LSZH	Xm		
②	Fiber Cable LOOSE TUBE OM4 50/125 0.9mm ORANGE LSZH	Xm		
③	Fiber Cable LOOSE TUBE OM4 50/125 0.9mm GREEN LSZH	Xm		
④	Fiber Cable LOOSE TUBE OM4 50/125 0.9mm BROWN LSZH	Xm		
⑤	Fiber Cable LOOSE TUBE OM4 50/125 0.9mm GREY LSZH	Xm		
⑥	Fiber Cable LOOSE TUBE OM4 50/125 0.9mm WHITE LSZH	Xm		
⑦	Fiber Cable LOOSE TUBE OM4 50/125 0.9mm RED LSZH	Xm		
⑧	Fiber Cable LOOSE TUBE OM4 50/125 0.9mm BLACK LSZH	Xm		
⑨	Fiber Cable LOOSE TUBE OM4 50/125 0.9mm YELLOW LSZH	Xm		
⑩	Fiber Cable LOOSE TUBE OM4 50/125 0.9mm VIOLET LSZH	Xm		
⑪	Fiber Cable LOOSE TUBE OM4 50/125 0.9mm PINK LSZH	Xm		
⑫	Fiber Cable LOOSE TUBE OM4 50/125 0.9mm TURQUOISE LSZH	Xm		
⑬	LC 0.9 Erika violet Boot	12		
⑭	LC MM Erika violet 0.9 Connector	12		
⑮	LC/UPC MM Ferrule 126-128um	12		
⑯	LC White Dust Cap	12		

BY	CHK	REVISION RECORD MODIFICATIONS	DATE	REV.	DRAWNBY	CHECKBY	APPROBY	DATE
		NEW	2016.08.25	A				2016.08.25

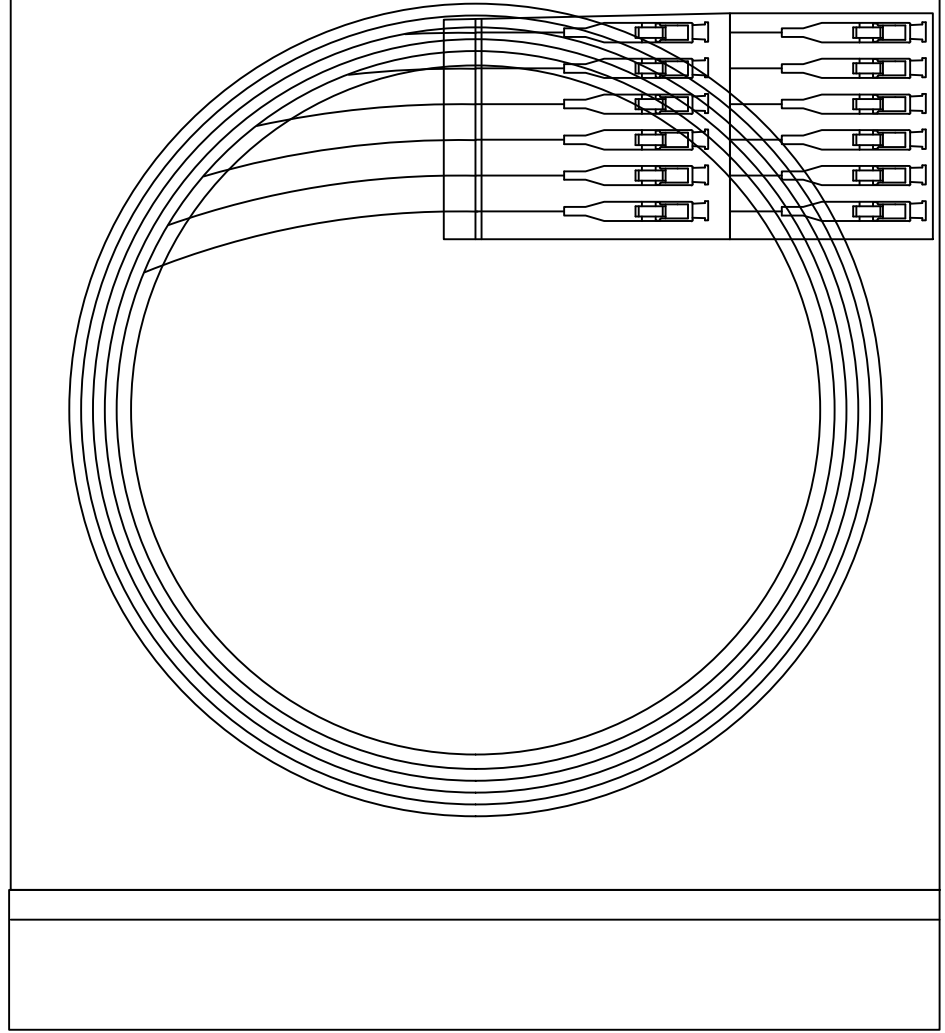
PRODUCT NAME	OM4 12 different colours
ITEM NO.	
UNIT	MM

TEST Wavelength	850nm
Return Loss	NA
Insertion Loss	<=0.3dB
Type	Multi-Mode



BY	CHK	REVISION RECORD MODIFICATIONS	DATE	REV.	DRAWNBY	CHECKBY	APPOBY	DATE	2016.08.25
		NEW	2016.08.25	A					
					PRODUCT	OM4 12 different colours	ITEM NO.	UNIT	MM

2Direct GmbH		ITEM NO.



TEST REPORT			
Batch No.	PO NO.	Test	Wavelength:
ITEM No.		Test	
Description	Pigtail set LC OM4 Multi-Mode 50/125, 12different colour xm OD 0.9mm LSZH loose tube		
Allow Loss	Insertion Loss	Return Loss	(MM) N/A
	0.3dB		
TEST VALUES			
Fiber	Insertion Loss (dB)	Return Loss (dB)	
BLUE			
ORANGE			
GREEN			
BROWN			
GREY			
WHITE			
RED			
BLACK			
YELLOW			
VIOLET			
PINK			
TURQUOISE			
RESULT	OK		

NOTE:  
The primary coating and secondary coating  
have the same colour  
ROHS 2.0 Compliant

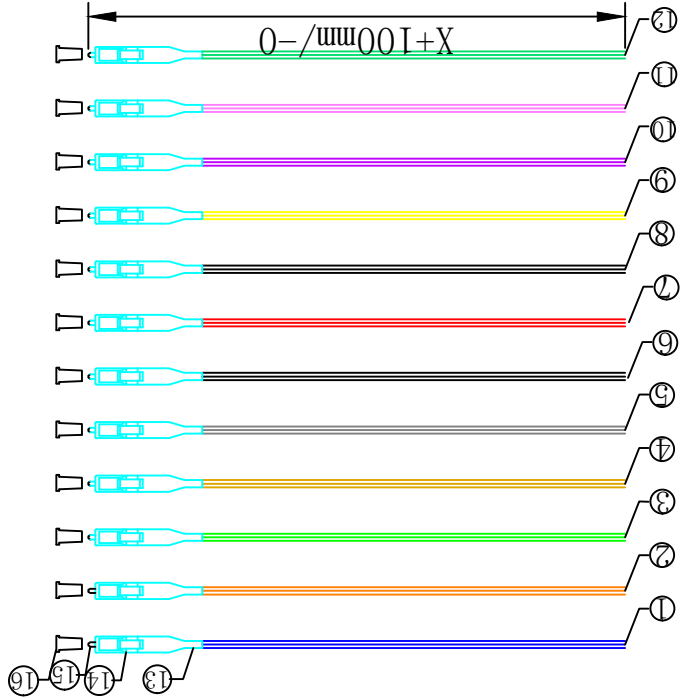
MATERIAL LIST:

NO.	SPECIFICATION STANDARD		QTY	REMARK
①	Fiber Cable	LOOSE TUBE OM3 50/125 0.9mm BLUE LSZH	Xm	
②	Fiber Cable	LOOSE TUBE OM3 50/125 0.9mm ORANGE LSZH	Xm	
③	Fiber Cable	LOOSE TUBE OM3 50/125 0.9mm GREEN LSZH	Xm	
④	Fiber Cable	LOOSE TUBE OM3 50/125 0.9mm BROWN LSZH	Xm	
⑤	Fiber Cable	LOOSE TUBE OM3 50/125 0.9mm GREY LSZH	Xm	
⑥	Fiber Cable	LOOSE TUBE OM3 50/125 0.9mm WHITE LSZH	Xm	
⑦	Fiber Cable	LOOSE TUBE OM3 50/125 0.9mm RED LSZH	Xm	
⑧	Fiber Cable	LOOSE TUBE OM3 50/125 0.9mm BLACK LSZH	Xm	
⑨	Fiber Cable	LOOSE TUBE OM3 50/125 0.9mm YELLOW LSZH	Xm	
⑩	Fiber Cable	LOOSE TUBE OM3 50/125 0.9mm VIOLET LSZH	Xm	
⑪	Fiber Cable	LOOSE TUBE OM3 50/125 0.9mm PINK LSZH	Xm	
⑫	Fiber Cable	LOOSE TUBE OM3 50/125 0.9mm TURQUOISE LSZH	Xm	
⑬	LC 0.9 Aqua Boot		12	
⑭	LC MM Aqua 0.9 Connector		12	
⑮	LC/UPC MM Ferrule 126-128um		12	
⑯	LC White Dust Cap		12	

BY	CHK	REVISION RECORD MODIFICATIONS	DATE	REV.	DRAWNBY	CHECKBY	APPROBY	DATE
		NEW	2016.08.25	A				2016.08.25

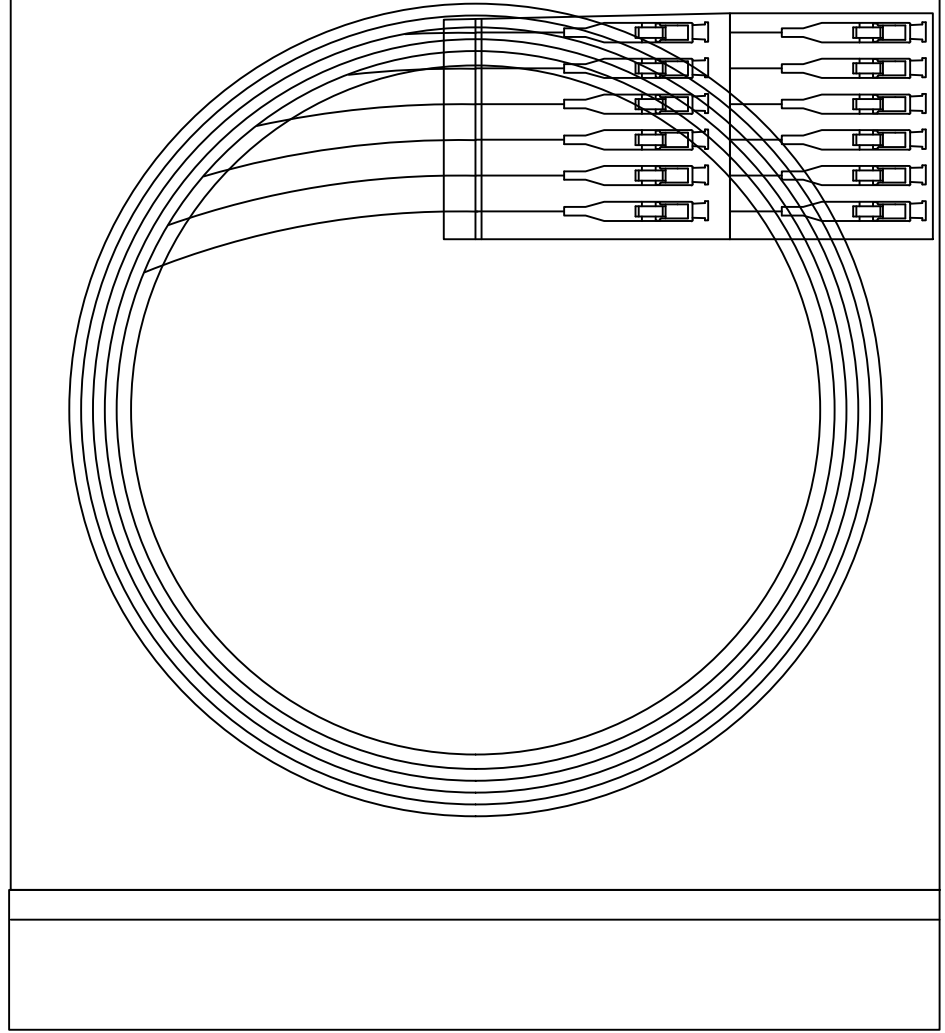
PRODUCT NAME	OM3 12 different colours
ITEM NO.	2Direct GmbH

Type	Multi-Mode
Insertion Loss	<=0.3dB
Return Loss	NA
Test Wavelength	850nm



BY	CHK	REVISION RECORD MODIFICATIONS	DATE	REV.	DRAWNBY	CHECKBY	APPOBY	DATE	2016.08.25
		NEW	2016.08.25	A					
					PRODUCT	Pigtail LC/UFC 50/125 μm	NAME	OM3 12 different colours	ITEM NO.
									UNIT
									MM

	2Direct Gmbh	ITEM NO.



TEST REPORT			
Batch No.	PO NO.	Test	Wavelength:
ITEM No.			
Description	Pigtail set LC OM3 Multi-Mode 50/125, 12different colour xm OD 0.9mm LSZH loose tube		
Allow Loss	Insertion Loss	Return Loss	(MM) N/A
	0.3dB		
TEST VALUES			
Fiber	Insertion Loss (dB)	Return Loss (dB)	
BLUE			
ORANGE			
GREEN			
BROWN			
GREY			
WHITE			
RFD			
BLACK			
YELLOW			
VIOLET			
PINK			
TURQUOISE			
RESULT	OK		

NOTE:  
The primary coating and secondary coating  
have the same color  
ROHS 2.0 Compliant

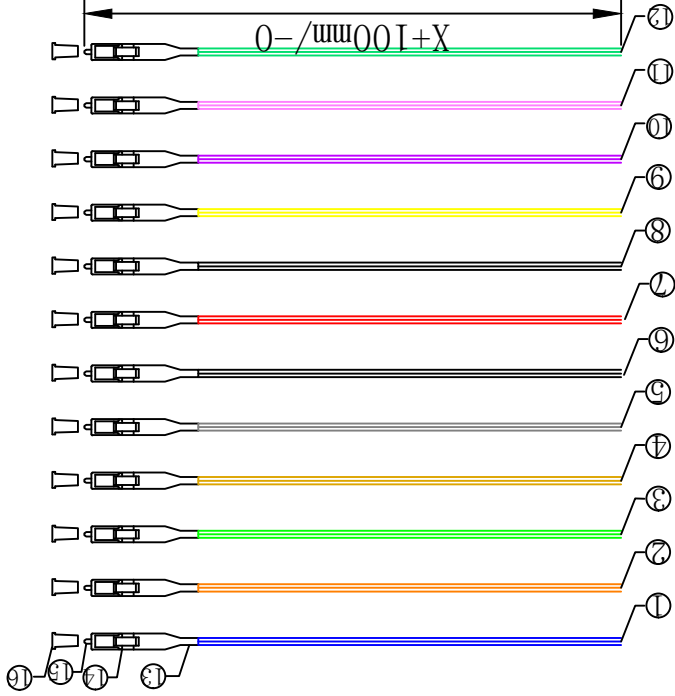
MATERIAL LIST:

NO.	SPECIFICATION STANDARD			QTY	REMARK
①	Fiber Cable	LOOSE TUBE	OM2 50/125 0.9mm BLUE LSZH	Xm	
②	Fiber Cable	LOOSE TUBE	OM2 50/125 0.9mm ORANGE LSZH	Xm	
③	Fiber Cable	LOOSE TUBE	OM2 50/125 0.9mm GREEN LSZH	Xm	
④	Fiber Cable	LOOSE TUBE	OM2 50/125 0.9mm BROWN LSZH	Xm	
⑤	Fiber Cable	LOOSE TUBE	OM2 50/125 0.9mm GREY LSZH	Xm	
⑥	Fiber Cable	LOOSE TUBE	OM2 50/125 0.9mm WHITE LSZH	Xm	
⑦	Fiber Cable	LOOSE TUBE	OM2 50/125 0.9mm RED LSZH	Xm	
⑧	Fiber Cable	LOOSE TUBE	OM2 50/125 0.9mm BLACK LSZH	Xm	
⑨	Fiber Cable	LOOSE TUBE	OM2 50/125 0.9mm YELLOW LSZH	Xm	
⑩	Fiber Cable	LOOSE TUBE	OM2 50/125 0.9mm VIOLET LSZH	Xm	
⑪	Fiber Cable	LOOSE TUBE	OM2 50/125 0.9mm PINK LSZH	Xm	
⑫	Fiber Cable	LOOSE TUBE	OM2 50/125 0.9mm TURQUOISE LSZH	Xm	
⑬	LC 0.9 White Boot			12	
⑭	LC MM Beige 0.9 Connector			12	
⑮	LC/UFC MM Ferrule 126-128um			12	
⑯	LC White Dust Cap			12	

BY	CHK	REVISION RECORD MODIFICATIONS	DATE	REV.	APPROBY	DATE
		NEW	2016.08.25	A		2016.08.25
					PRODUCT NAME Pigtail LC/UFC 50/125µm OM2 12 different colours	ITEM NO. UNIT MM

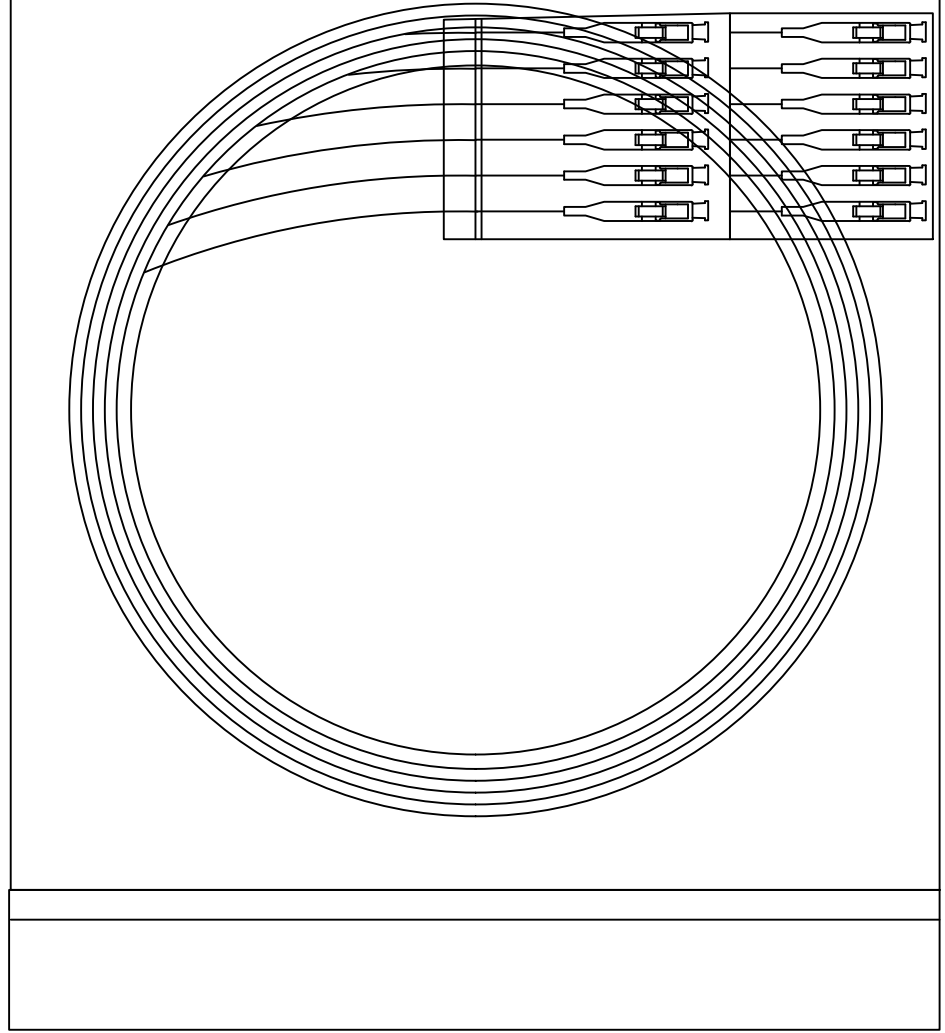
2D	ITEM NO.	Direct Gmbh
----	----------	-------------

Type	Multi-Mode
Insertion Loss	<=0.3dB
Return Loss	NA
Test Wavelength	850nm



BY	CHK	REVISION RECORD MODIFICATIONS	DATE	REV.	DRAWNBY	CHECKBY	APPOBY	DATE
		NEW	2016.08.25	A				2016.08.25
					PRODUCT NAME	OM2 12 different colours	ITEM NO.	UNIT
					Pigtail LC/UFC 50/125 μm			MM

2Direct GmbH		ITEM NO.



TEST REPORT			
Batch No.	PO NO.	Test	Wavelength:
ITEM No.			
Description	Pigtail set LC OM2 Multi-Mode 50/125, 12different colour xm OD 0.9mm LSZH loose tube		
Allow Loss	Insertion Loss	Return Loss	(MM)
	0.3dB		N/A
TEST VALUES			
Fiber	Insertion Loss (dB)	Return Loss (dB)	
BLUE			
ORANGE			
GREEN			
BROWN			
GREY			
WHITE			
RED			
BLACK			
YELLOW			
VIOLET			
PINK			
TURQUOISE			
RESULT	OK		

NOTE:  
The primary coating and secondary coating  
have the same colour

MATERIAL LIST:

NO.	SPECIFICATION STANDARD		QTY	REMARK
①	Fiber Cable	LOOSE TUBE SM 9/125 0.9mm BLUE LSZH	Xm	
②	Fiber Cable	LOOSE TUBE SM 9/125 0.9mm ORANGE LSZH	Xm	
③	Fiber Cable	LOOSE TUBE SM 9/125 0.9mm GREEN LSZH	Xm	
④	Fiber Cable	LOOSE TUBE SM 9/125 0.9mm BROWN LSZH	Xm	
⑤	Fiber Cable	LOOSE TUBE SM 9/125 0.9mm GREY LSZH	Xm	
⑥	Fiber Cable	LOOSE TUBE SM 9/125 0.9mm WHITE LSZH	Xm	
⑦	Fiber Cable	LOOSE TUBE SM 9/125 0.9mm RED LSZH	Xm	
⑧	Fiber Cable	LOOSE TUBE SM 9/125 0.9mm BLACK LSZH	Xm	
⑨	Fiber Cable	LOOSE TUBE SM 9/125 0.9mm YELLOW LSZH	Xm	
⑩	Fiber Cable	LOOSE TUBE SM 9/125 0.9mm VIOLET LSZH	Xm	
⑪	Fiber Cable	LOOSE TUBE SM 9/125 0.9mm PINK LSZH	Xm	
⑫	Fiber Cable	LOOSE TUBE SM 9/125 0.9mm TURQUOISE LSZH	Xm	
⑬	LC 0.9 Green Boot		12	
⑭	LC/APC 0.9 Green Connector		12	
⑮	LC/APC 8° Ferrule 125-126um		12	
⑯	LC White Dust Cap		12	

BY	CHK	REVISION RECORD MODIFICATIONS	DATE	REV.
		NEW	2016.08.25	A

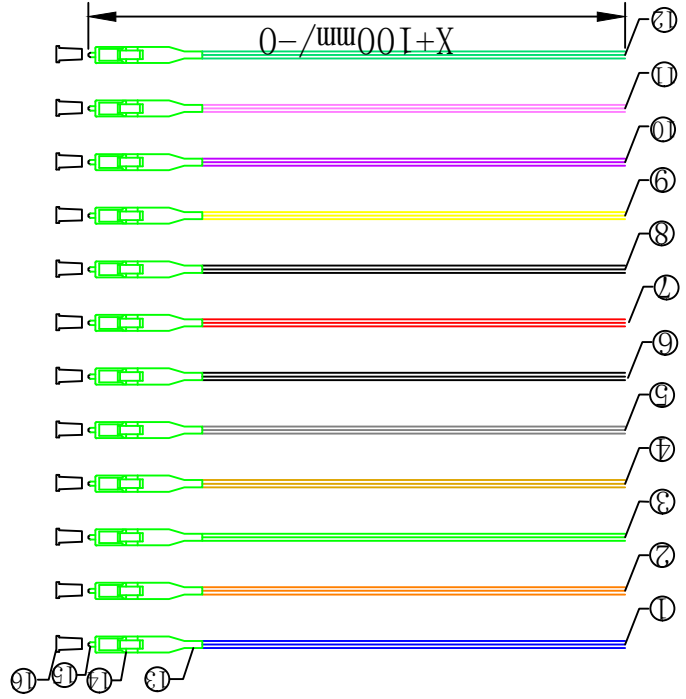
PRODUCT NAME	DRAWNBY	CHECKBY	APPROBY	DATE
Pigtail LC/APC 8° 12 different colours				2016.08.25

ITEM NO.	ITEM NO.
2Direct GmbH	

Type	Single-Mode
Insertion Loss	<=0.3dB
Return Loss	>60dB
Test Wavelength	1310nm

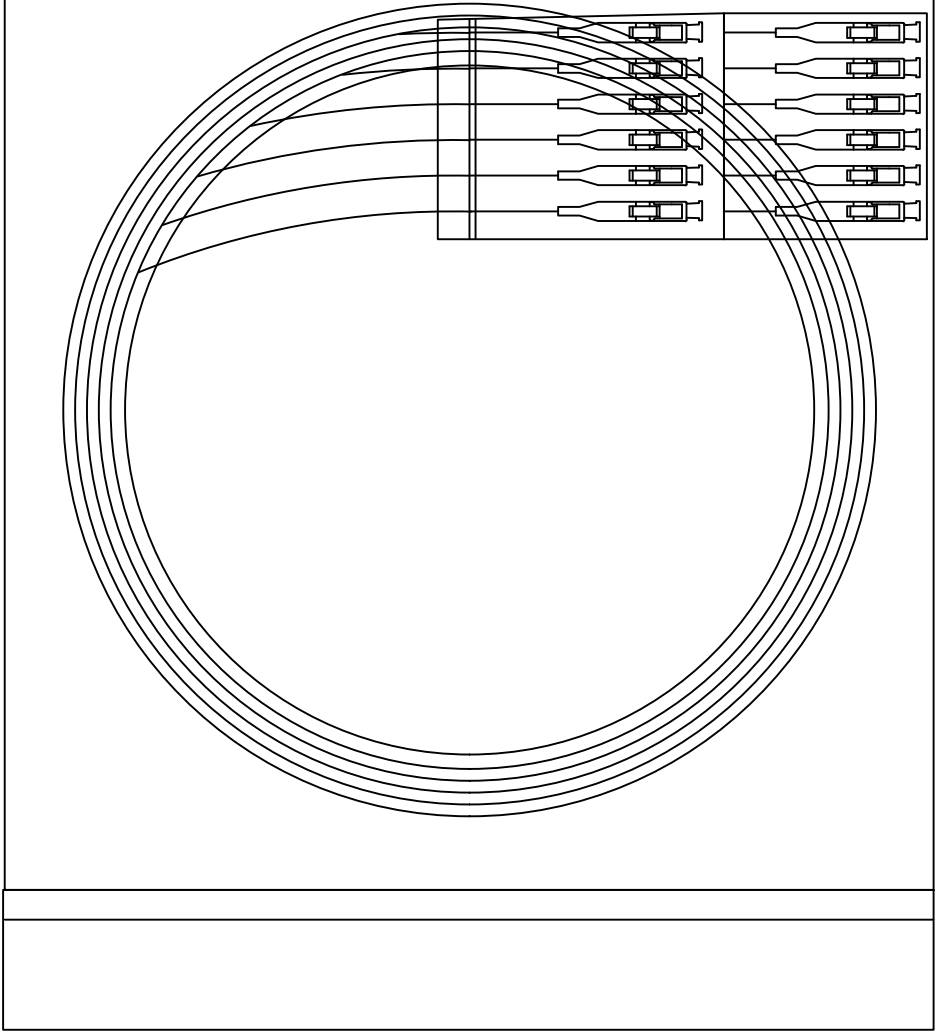
ROHS Compliant

Note:





BY	CHK	REVISION RECORD MODIFICATIONS	DATE	REV.	DRAWNBY	CHECKBY	APPOBY	2016.08.25
		NEW	2016.08.25	A				
					PRODUCT NAME	different colours	ITEM NO.	UNIT
					2Direct GmbH	ITEM NO.		

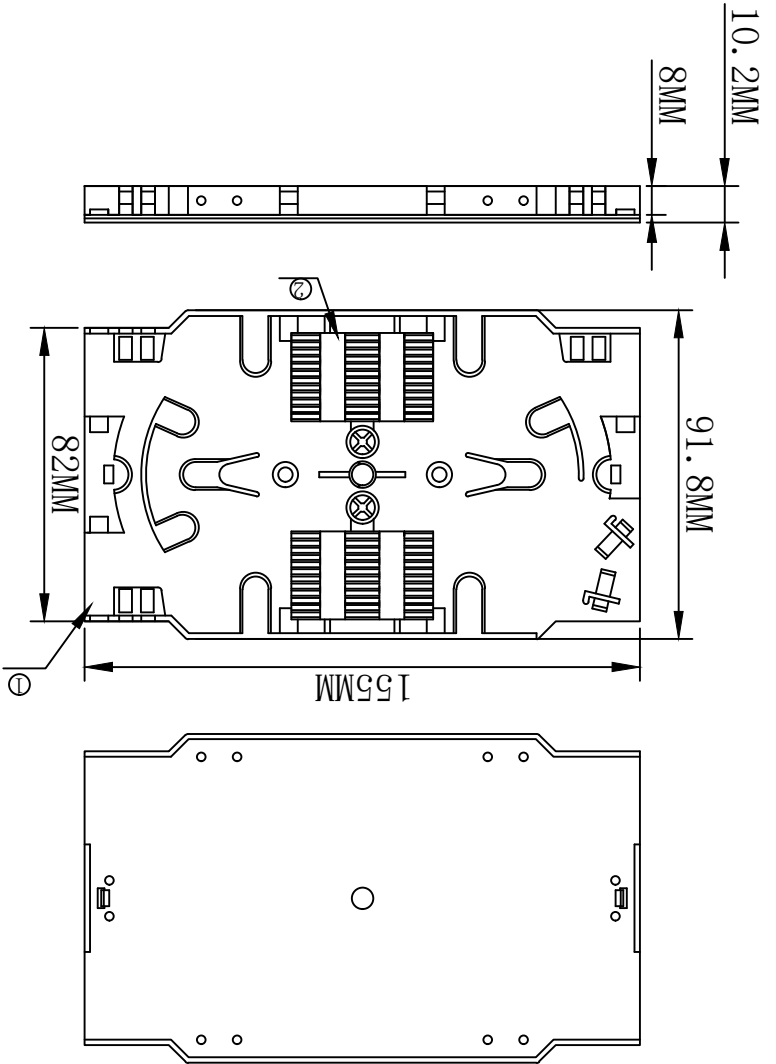
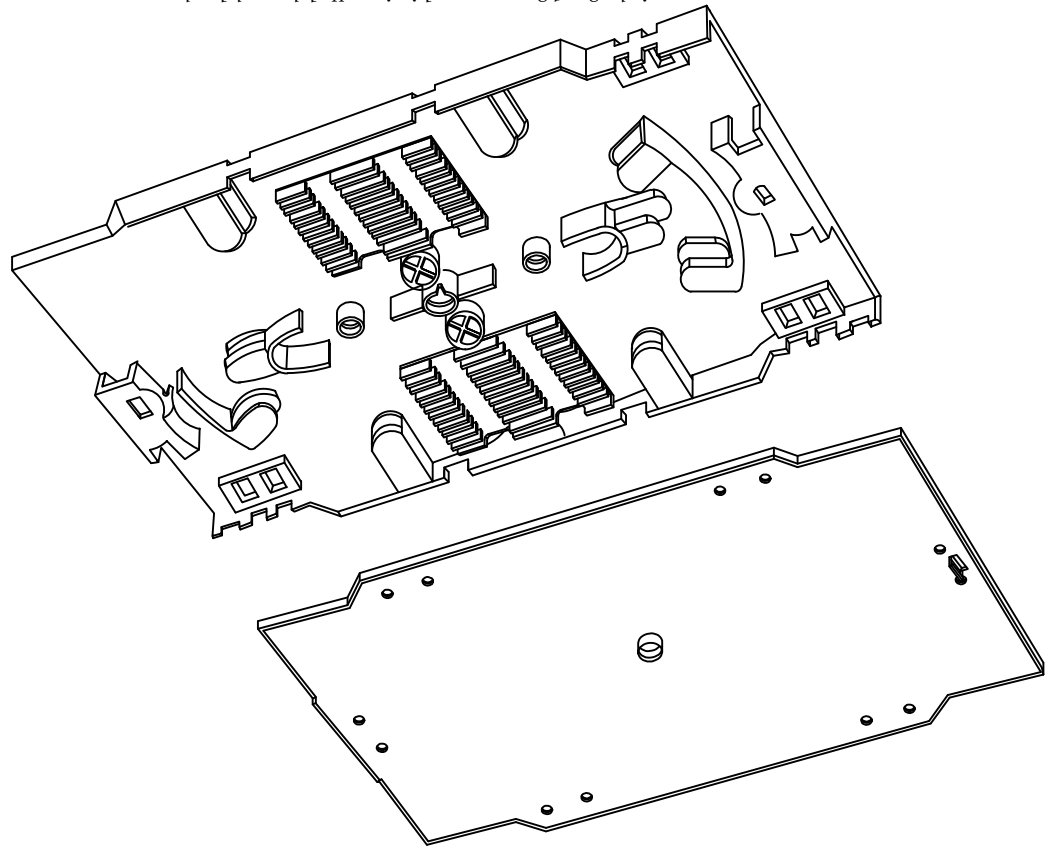


TEST REPORT			
Batch No.	PO NO.	Test	Wavelength:
ITEM No.			
Description Pigtail set LC APC 8, 12different colour xm OD .9mm LSZH loose tube			
Allow Loss	Insertion Loss	Return Loss	(APC)
0.3dB	60dB		
TEST VALUES			
Fiber	Insertion Loss (dB)	Return Loss (dB)	
BLUE			
ORANGE			
GREEN			
BROWN			
GREY			
WHITE			
RED			
BLACK			
YELLOW			
VIOLLET			
PINK			
TURQUOISE			
RESULT	OK		

BY	CHK	REVISION RECORD MODIFICATIONS	DATE	REV.	DRAWNBY	CHECKBY	APPOBY	DATE
		NEW	2016.08.25	A				2016.08.25
NO.	PARTS NAME	SPECIFICATION DESCRIPTION	QTY	REMARK	PRODUCT NAME	ITEM NO.	UNIT	MM
①	Splicing tray	24 cores splicing tray, ABS/Beige	1		Splicing tray with 2pcs of 12core holders			
②	Splic Holder	ABS/Black	2		2Direct Gmbh			
					ITEM NO.	FB3001		

MATERIAL LIST:

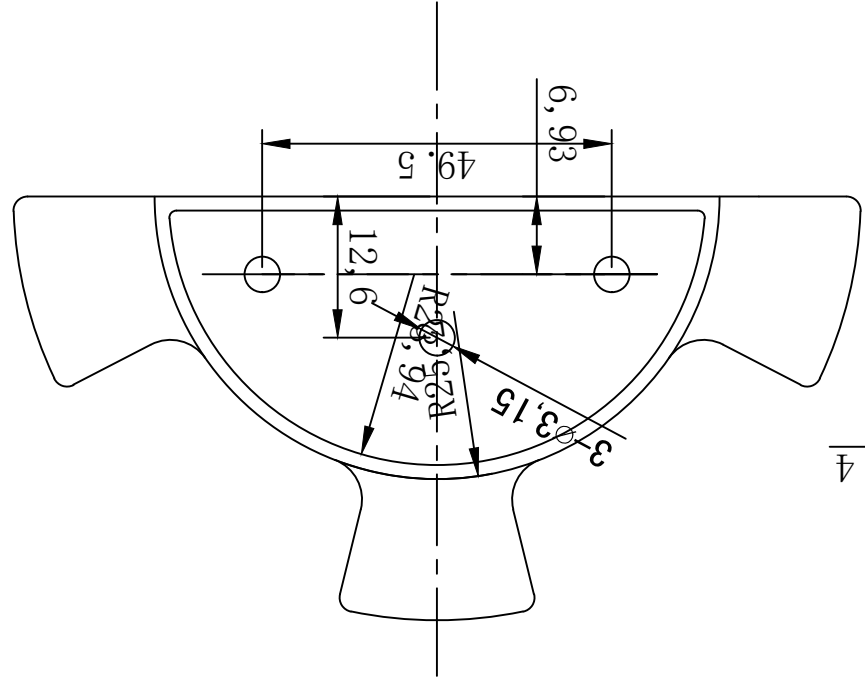
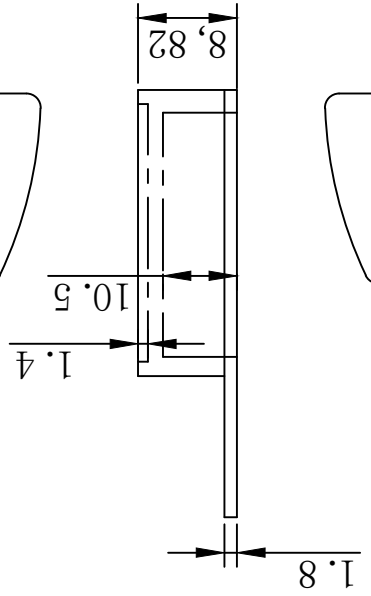
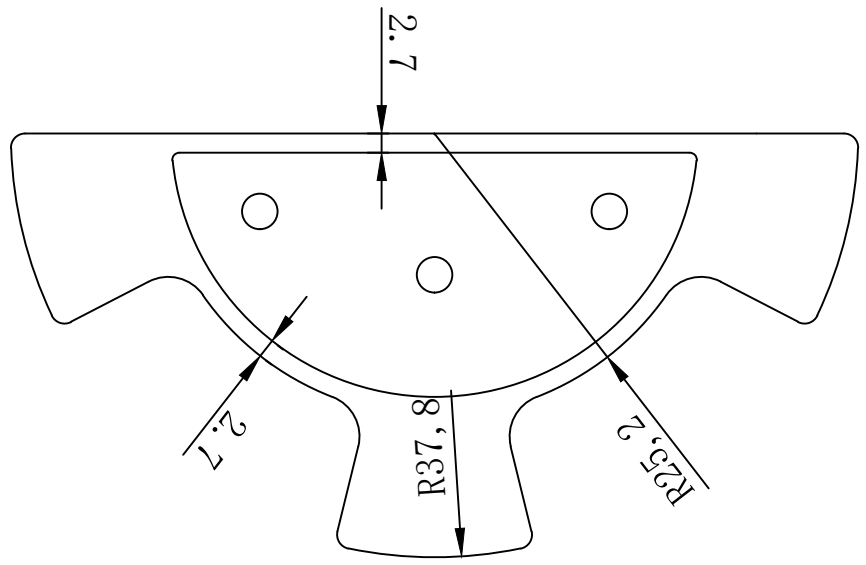
with 2\* 12 core splicing Holder , black  
 •Material:Plastic (Non fire retardant)  
 •Color: beige  
 •RoHS 2.0 and Reach Compliant  
 Packing:1pcs/PE bag+label 1, 100pcs/inner  
 carton+outer carton+label 3



BY	CHK	REVISION RECORD MODIFICATIONS		DATE	REV.	DRAWNBY		CHECKBY	APPOBY	DATE	
		NEW		2016.08.25	A					2016.08.25	
						PRODUCT NAME	Fibre cable management	ITEM NO.		UNIT	MM

LogiLink Professional F12LC2/3/4  
 2Direct Gmbh  
 ITEM NO.

Note:  
 1. COLOUR: ABS/GRAY  
 2. ROHS2.0 COMPLIANT  
 3. Accessory: Screw M3\*8, Hex Nut M3\*2.4



## X-ON Electronics

Largest Supplier of Electrical and Electronic Components

*Click to view similar products for [Fibre Optic Connectors](#) category:*

*Click to view products by [Logilink](#) manufacturer:*

Other Similar products are found below :

[F718092216](#) [AX104024](#) [AX100068](#) [AX103256](#) [501048-1](#) [E39R37](#) [181-048-16](#) [60926](#) [98039-003LF](#) [A0407006](#) [60923](#) [60921](#) [906-122-5047](#) [2102321-1](#) [F81ELBNNNSNM003](#) [F81ELBNNNSNM005](#) [F81ELBNNNSNM010](#) [FAP6WWDLCZ](#) [FHMPW-6-ABL](#) [FHMPW-6-BCG](#) [FQMAP65W](#) [FHC39N-08-10A](#) [FHC3XO-08-10A](#) [FHC3XO-08-10B](#) [FHC3ZO-08-10A](#) [FHC3ZO-08-10B](#) [FHC3ZA-08-10A](#) [FHC3ZA-08-10B](#) [FC2WA-12-10AS](#) [FHCXO-20F-10A](#) [FHCXO-24F-10A](#) [FC39N-16-10A](#) [FLCS2/9SOCA9AG](#) [FLCS2/9SOCPXAQ](#) [FLCS2/9SOCU9BU](#) [FSCS2/9SOCA9AG](#) [FSCS2/9SOCPXAQ](#) [FSCS2/9SOCU9BU](#) [FC29N-12-10U](#) [LXCRN1C1CL1N](#) [9446W14S-6S](#) [9442W14S-5S](#) [F780904000](#) [944-1023](#) [1534631-1](#) [181-035-1000](#) [20100014231](#) [F718111220](#) [F718190204](#) [17-300940](#)