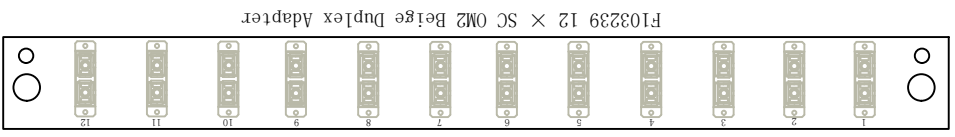
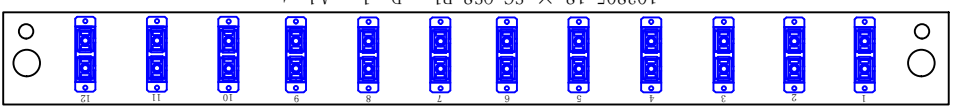


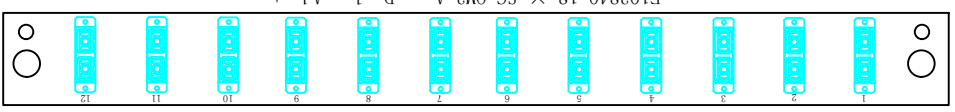
19" 1U Fiber Optic Patch panel Front panel for 12 x SC Duplex Adapter vertical, Black



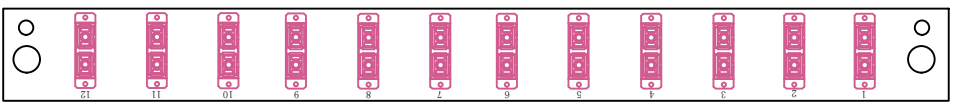
F103239 12 x SC OM2 Beige Duplex Adapter



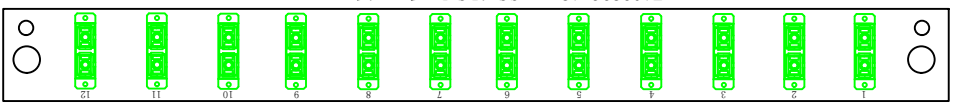
103205 12 x SC OS2 Blue Duplex Adapter



F103240 12 x SC OM3 Aqua Duplex Adapter

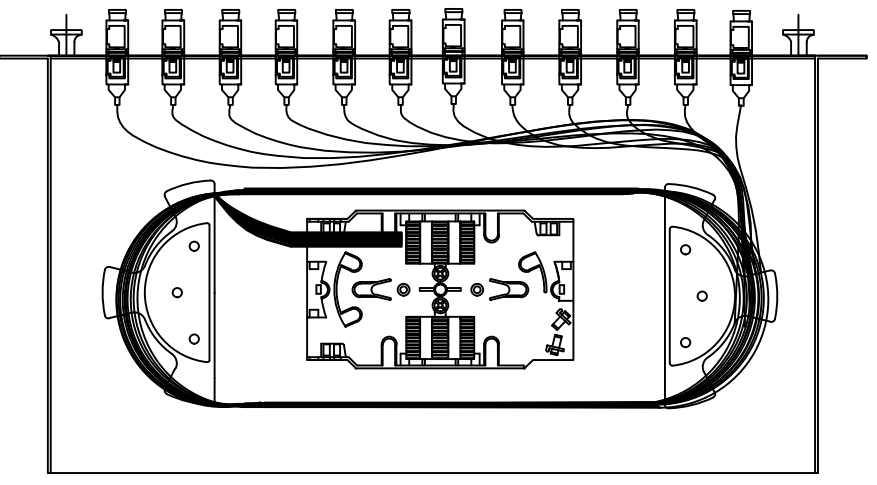
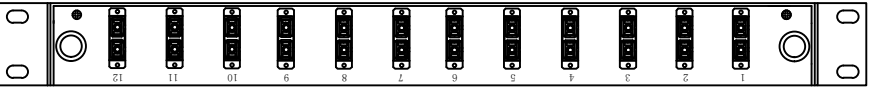


F103241 12 x SC OM4 Erika Violet Duplex Adapter



F103236 12 x SC APC Duplex Adapter

MATERIAL LIST:



| NO. | PARTS NAME | SPECIFICATION DESCRIPTION | QTY | REMARK |
|-----|---------------|---------------------------------|-----|--------|
| ① | Adapter | SC Duplex Adapter | 12 | |
| ② | Pigtail | Pigtail SC 12 different colours | 2 | |
| ③ | Splicing tray | 24 Core Splicing tray | 1 | |
| ④ | Spool | Fibre cable management Spool | 2 | |
| ⑤ | Push pin | ABS OD:15.8 | 2 | |
| ⑥ | Screw | ST 2*10 Screw | 24 | |

NOTE:
 ROHS 2.0 COMPLIANT
 1. Black(RAL 9005) matt black surface treatment
 2. 1 2 3 424
 3.packing:IPCS/PE BAG+inner box +label

LogiLink Professional F12SD2/3/4

| BY | CHK | REVISION RECORD MODIFICATIONS | DATE | REV. | DRAWNBY | CHECKBY | APPROBY | DATE |
|----|-----|-------------------------------|------------|------|---------|---------|---------|------|
| | | NEW | 2016.08.25 | A | | | | |

| PRODUCT NAME | ITEM NO. | UNIT | MM |
|--|----------|------|----|
| 19" Fiber Optic Patch Panel, Fully loaded IU sliding type with 12 core SC DX Adapter and pigtail | | | |

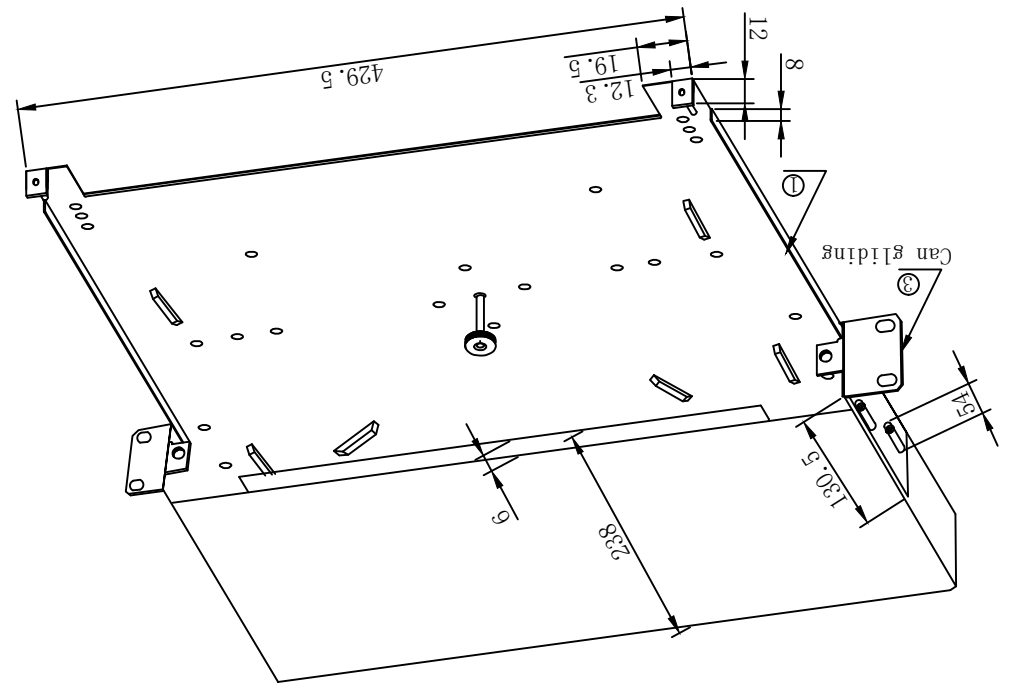
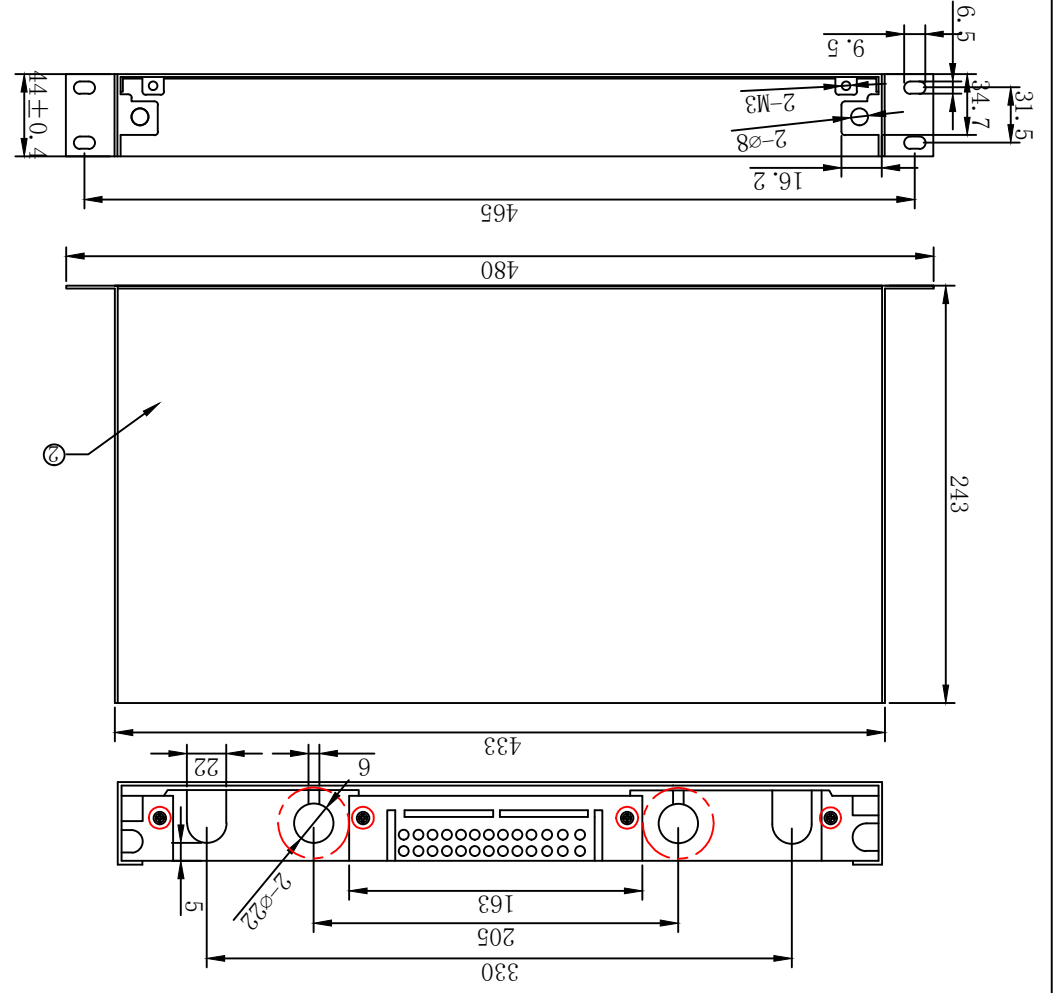
2016.08.25

| | | | | | | | | |
|----|-----|-------------------------------|------------|------|----------------------------------|----------|---------|------------|
| BY | CHK | REVISION RECORD MODIFICATIONS | DATE | REV. | DRAWNBY | CHECKBY | APPROBY | DATE |
| | | NEW | 2016.08.25 | A | | | | 2016.08.25 |
| | | | | | PRODUCT NAME | ITEM NO. | UNIT | MM |
| | | | | | 19" Fiber Optic Patch Panel, 1U" | | | |
| | | | | | sliding type | | | |

| NO. | PARTS NAME | SPECIFICATION DESCRIPTION | QTY | REMARK |
|-----|-------------------|---|-----|--------|
| ① | Bottom Panel | 1.0mm thickness Metallic Panel with plastic powder cladding | 1 | |
| ② | Upper Panel Cover | 1.0mm thickness Metallic Panel with plastic powder cladding | 1 | |
| ③ | Mounting | 1.5mm thickness Metallic Panel with plastic powder cladding | 2 | |
| ④ | Front panel | 1.0mm thickness Metallic Panel with plastic powder cladding | 1 | |
| ⑤ | Push pin | ABS OD:15.8 | 2 | |

MATERIAL LIST:

NOTE:
 RoHS 2.0 COMPLIANT
 19" Fiber Optic Patch Panel, 1U" Sliding Type
 Changeable Front Panel
 Bottom panel 45° degree clipable
 Colour: Black (RAL 9005)
 Accessory: Screw and Nut M6*18mm x 4set
 Cable Glands PG13.5 x 2 pcs
 Cable Tie 2.2*80mm x 6 pcs



| | | | | | | | | |
|----|-----|-------------------------------|------------|------|---------|---------|---------|------------|
| BY | CHK | REVISION RECORD MODIFICATIONS | DATE | REV. | DRAWNBY | CHECKBY | APPROBY | DATE |
| | | NEW | 2016.08.25 | A | | | | 2016.08.25 |

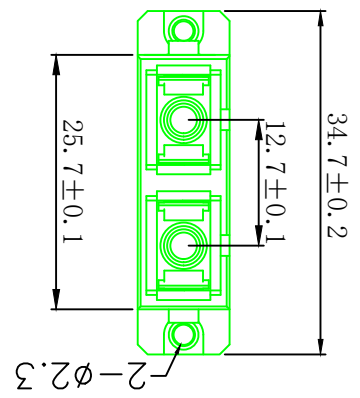
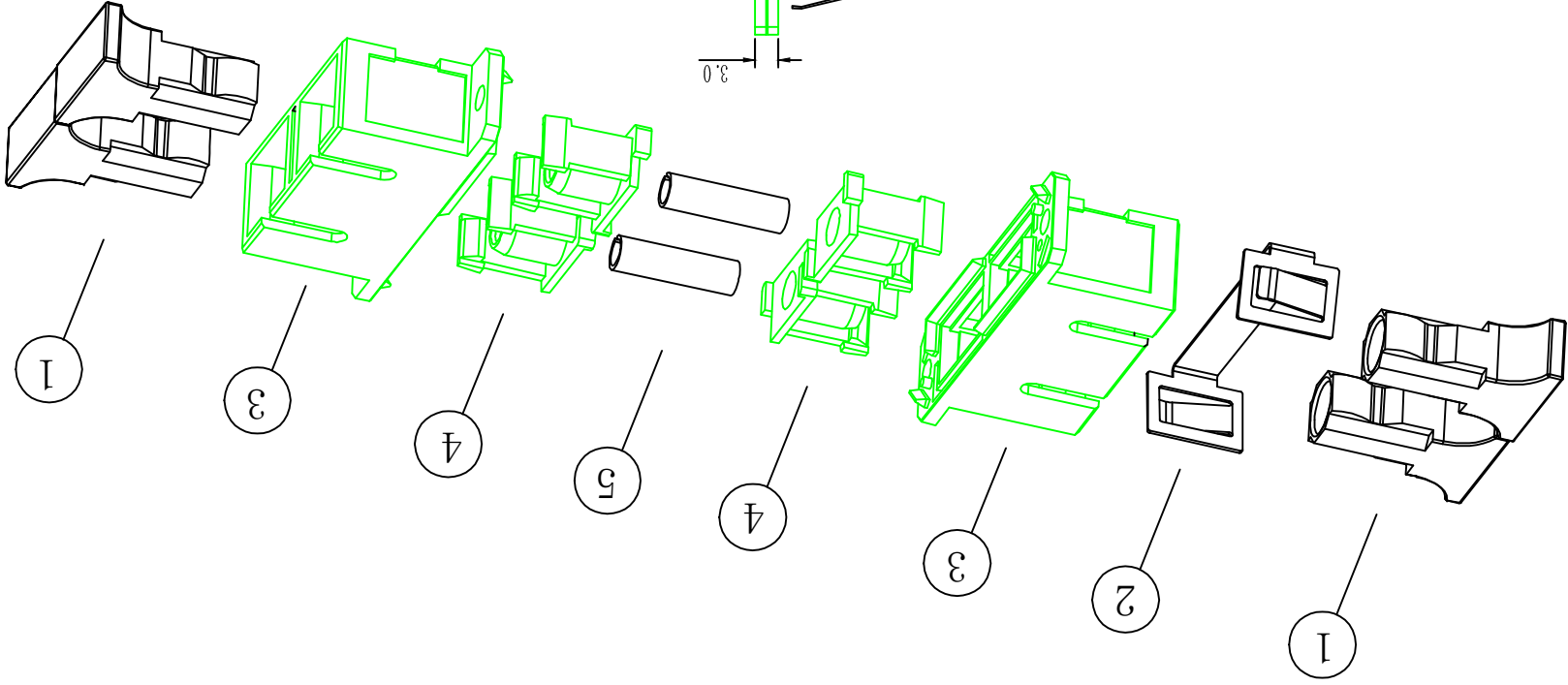
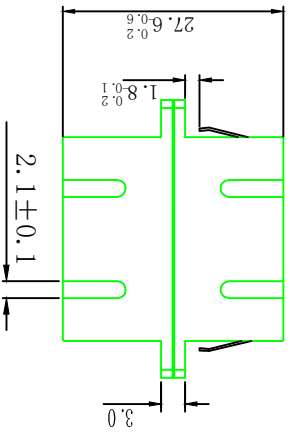
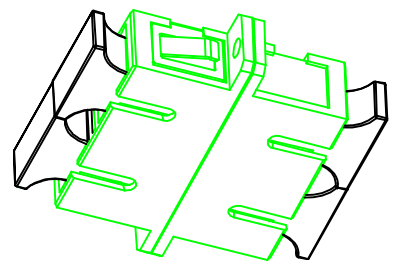
| | | | |
|-----|---------------------------------------|------|--------|
| NO. | SPECIFICATION STANDARD | QTY | REMARK |
| ① | Black Dust cap | 4pcs | |
| ② | Metal Mount | 1pcs | |
| ③ | SC Duplex Green Body with flange | 2pcs | |
| ④ | GREEN Bush | 4pcs | |
| ⑤ | SC/APC (ceramic) Sleeve (Single-Mode) | 2pcs | |

| | |
|--------------|---|
| PRODUCT NAME | SC/APC Green (ceramic) Duplex plastic Adapter |
| ITEM NO. | 2Direct GmbH |

MATERIAL LIST:

| | |
|-------------------------------|-----------|
| Insertion Loss (typical) (dB) | ≤0.12 |
| Insertion Loss (dB) | ≤0.20 |
| Operating Temperature (°C) | -40 ~ +80 |
| Storage Temperature (°C) | -40 ~ +85 |

NOTE: ROHS 2.0 & Reach COMPLIANT



| | | | | | | | | |
|----|-----|-------------------------------|------------|------|---------|---------|---------|------------|
| BY | CHK | REVISION RECORD MODIFICATIONS | DATE | REV. | DRAWNBY | CHECKBY | APPROBY | DATE |
| | | NEW | 2016.08.25 | A | | | | 2016.08.25 |

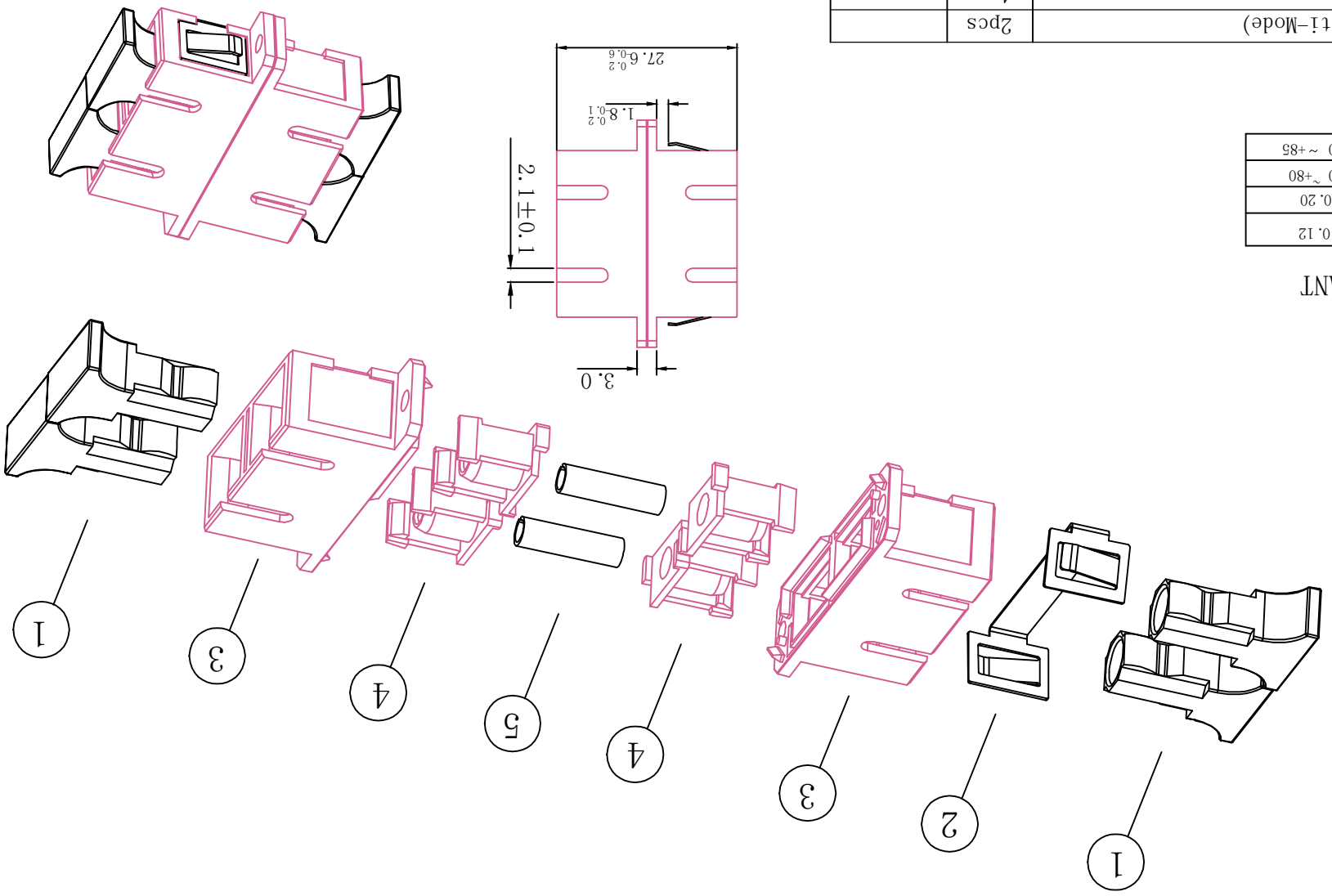
| | | | |
|-----|------------------------|-----|--------|
| NO. | SPECIFICATION STANDARD | QTY | REMARK |
|-----|------------------------|-----|--------|

| | | | |
|---|---|------|--|
| ⑤ | SC (ceramic) Sleeve (Multi-Mode) | 2pcs | |
| ④ | Erika violet Bush | 4pcs | |
| ③ | SC Duplex Erika violet Body with flange | 2pcs | |
| ② | Metal Mount | 1pcs | |
| ① | Black Dust cap | 4pcs | |

MATERIAL LIST:

| | |
|-------------------------------|-----------|
| Insertion Loss (typical) (dB) | ≤0.12 |
| Insertion Loss (dB) | ≤0.20 |
| Operating Temperature (°C) | -40 ~ +80 |
| Storage Temperature (°C) | -40 ~ +85 |

NOTE: ROHS 2.0 & Reach COMPLIANT



| | |
|--------------|---|
| PRODUCT NAME | SC MM Erika violet (ceramic Duplex plastic adapter) |
| ITEM NO. | 2Direct GmbH |
| UNIT | MM |

| | | | | | | | | | |
|----|-----|-------------------------------|----------|------|---------|---------|---------|------|----------|
| BY | CHK | REVISION RECORD MODIFICATIONS | DATE | REV. | DRAWNBY | CHECKBY | APPROBY | DATE | 2016-0-2 |
| | | NEW | 2016-0-2 | A | | | | | |

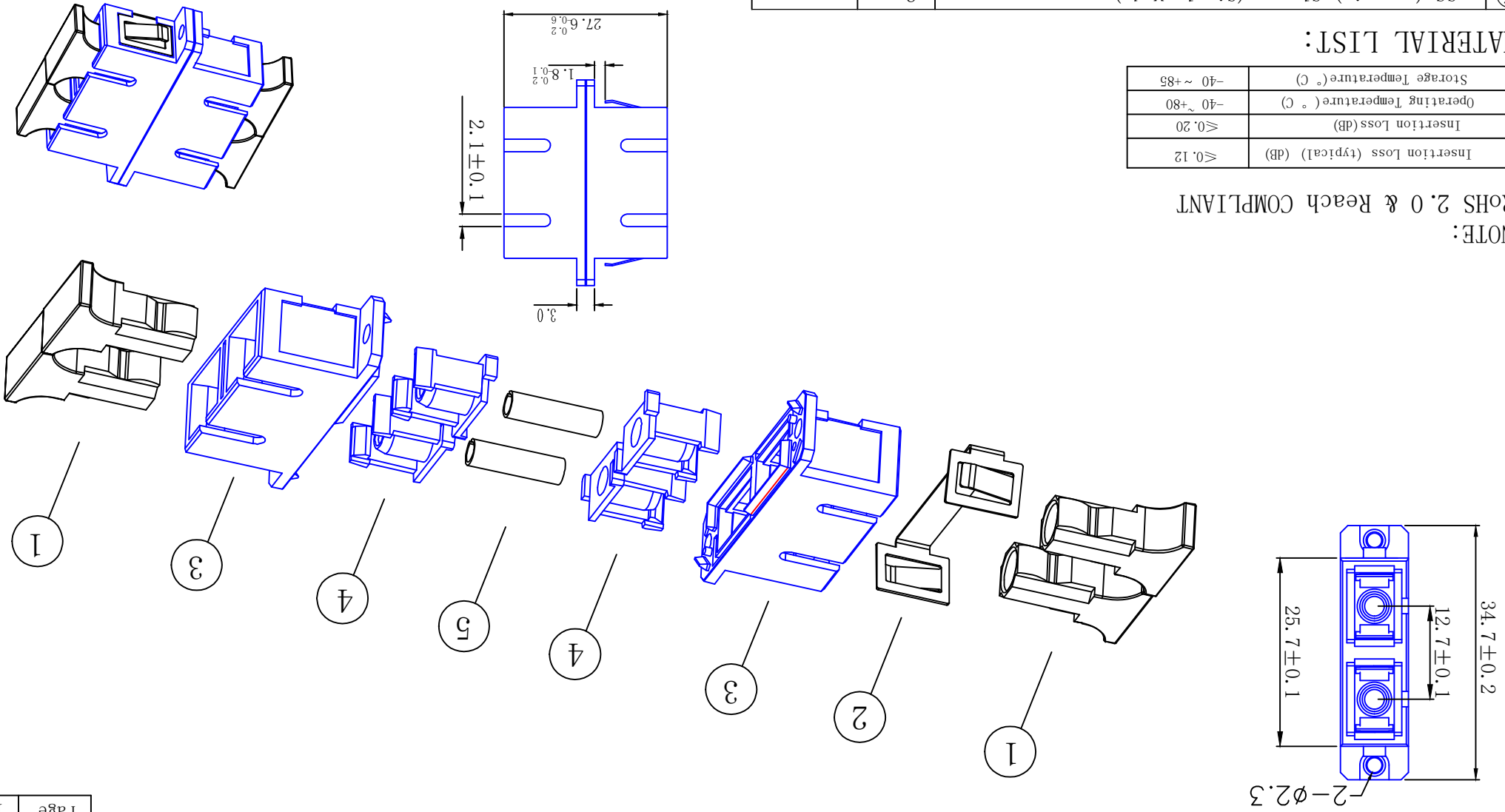
| NO. | SPECIFICATION STANDARD | QTY | REMARK |
|-----|-----------------------------------|------|--------|
| ① | Black Dust cap | 4pcs | |
| ② | Metal Mount | 1pcs | |
| ③ | SC Duplex Blue Body with flange | 2pcs | |
| ④ | Blue Bush | 4pcs | |
| ⑤ | SC (ceramic) Sleeve (Single-Mode) | 2pcs | |

| | |
|--------------|--|
| PRODUCT NAME | SC SM blue(ceramic) Duplex plastic Adapter |
| ITEM NO. | 2Direct GmbH |

MATERIAL LIST:

| | |
|-------------------------------|-----------|
| Insertion Loss (typical) (dB) | ≤0.12 |
| Insertion Loss (dB) | ≤0.20 |
| Operating Temperature (°C) | -40 ~ +80 |
| Storage Temperature (°C) | -40 ~ +85 |

NOTE: RoHS 2.0 & Reach COMPLIANT



| | | | | | | | | |
|----|-----|-------------------------------|----------|------|---------|---------|---------|----------|
| BY | CHK | REVISION RECORD MODIFICATIONS | DATE | REV. | DRAWNBY | CHECKBY | APPROBY | 2016-0-2 |
| | | NEW | 2016-0-2 | A | | | | |

| | | | |
|------|----|----------|---------------|
| UNIT | MM | ITEM NO. | 2D:irect GmbH |
| UNIT | MM | ITEM NO. | |

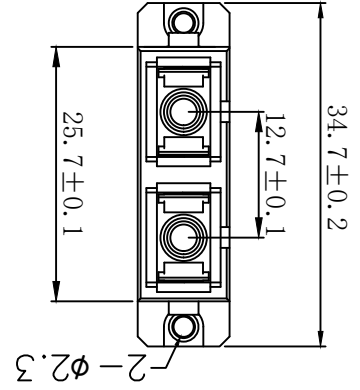
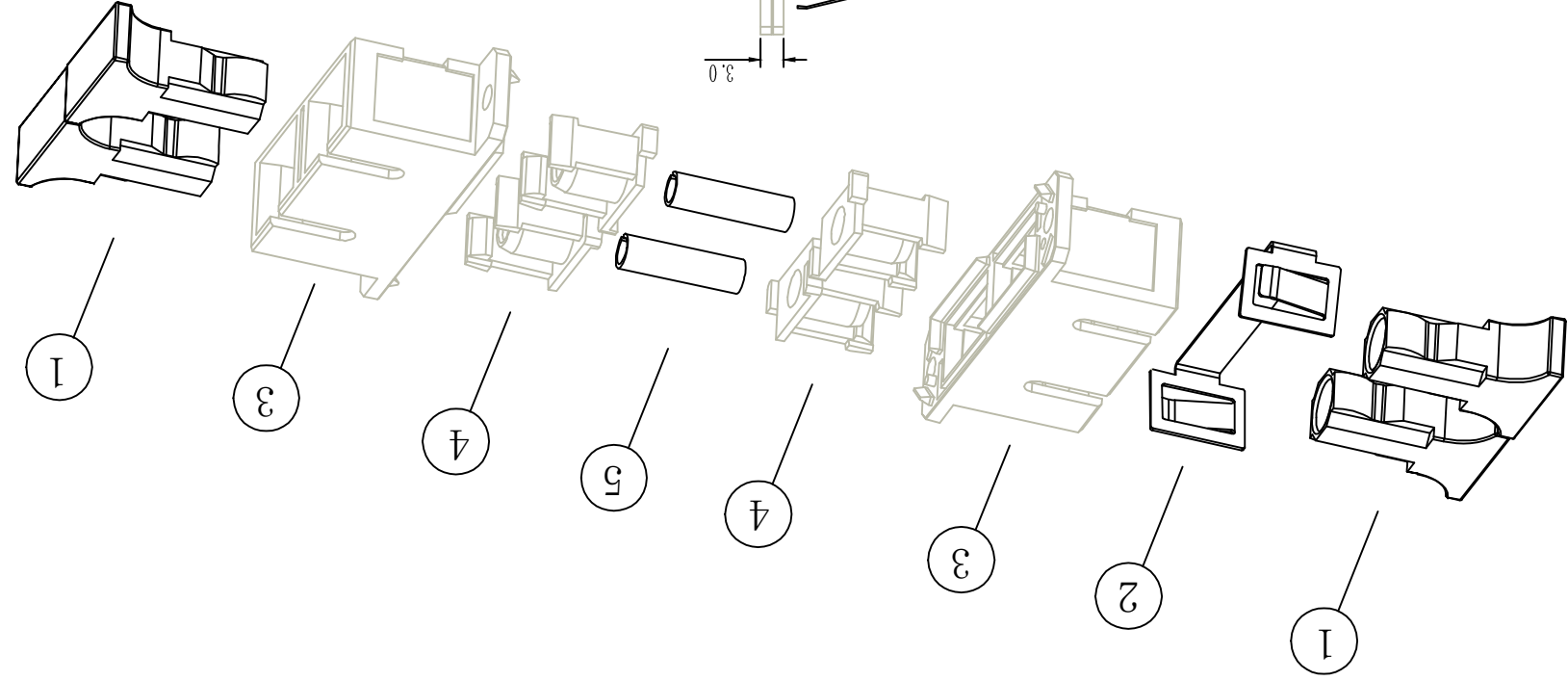
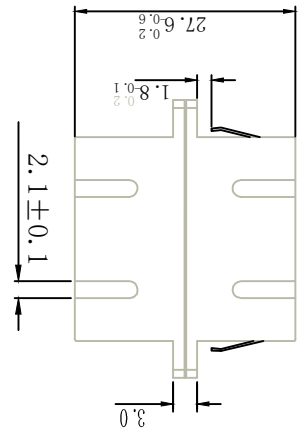
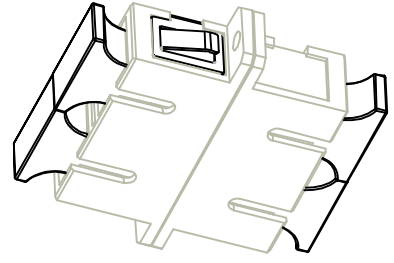
| | |
|--------------|--|
| PRODUCT NAME | SC MM beige (ceramic) Duplex Plastic Adapter |
|--------------|--|

| NO. | SPECIFICATION STANDARD | QTY | REMARK |
|-----|----------------------------------|------|--------|
| ① | Black Dust cap | 4pcs | |
| ② | Metal Mount | 1pcs | |
| ③ | SC Duplex Beige Body with flange | 2pcs | |
| ④ | Beige Bush | 4pcs | |
| ⑤ | SC (ceramic) Sleeve (Multi-Mode) | 2pcs | |

MATERIAL LIST:

| | |
|-------------------------------|-----------|
| Insertion Loss (typical) (dB) | ≤0.12 |
| Insertion Loss (dB) | ≤0.20 |
| Operating Temperature (°C) | -40 ~ +80 |
| Storage Temperature (°C) | -40 ~ +85 |

NOTE:
ROHS 2.0 & Reach COMPLIANT



| | | | | | | | | | |
|----|-----|-------------------------------|----------|------|---------|---------|---------|------|----------|
| BY | CHK | REVISION RECORD MODIFICATIONS | DATE | REV. | DRAWNBY | CHECKBY | APPROBY | DATE | 2016-0-2 |
| | | NEW | 2016-0-2 | A | | | | | |

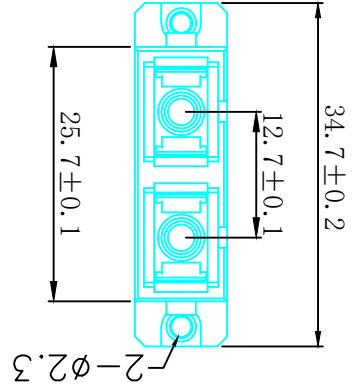
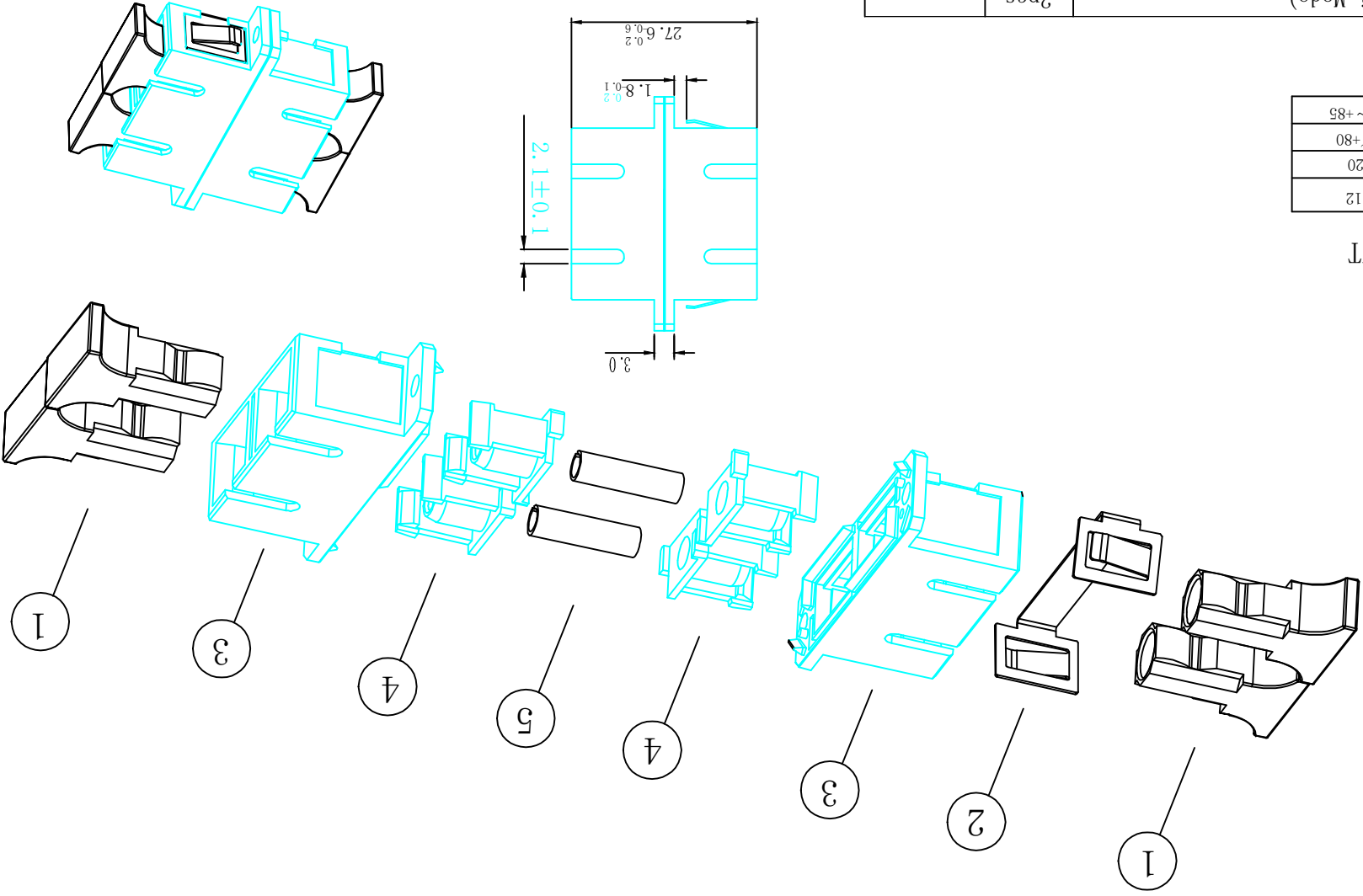
| NO. | SPECIFICATION STANDARD | QT'Y | REMARK |
|-----|------------------------|------|--------|
|-----|------------------------|------|--------|

| | | | |
|---|----------------------------------|------|--|
| ⑤ | SC (ceramic) Sleeve (Multi-Mode) | 2pcs | |
| ④ | Aqua Bush | 4pcs | |
| ③ | SC Duplex Aqua Body with flange | 2pcs | |
| ② | Metal Mount | 1pcs | |
| ① | Black Dust cap | 4pcs | |

MATERIAL LIST:

| | |
|-------------------------------|-----------|
| Insertion Loss (typical) (dB) | ≤0.12 |
| Insertion Loss (dB) | ≤0.20 |
| Operating Temperature (°C) | -40 ~ +80 |
| Storage Temperature (°C) | -40 ~ +85 |

NOTE: ROHS 2.0 & Reach COMPLIANT

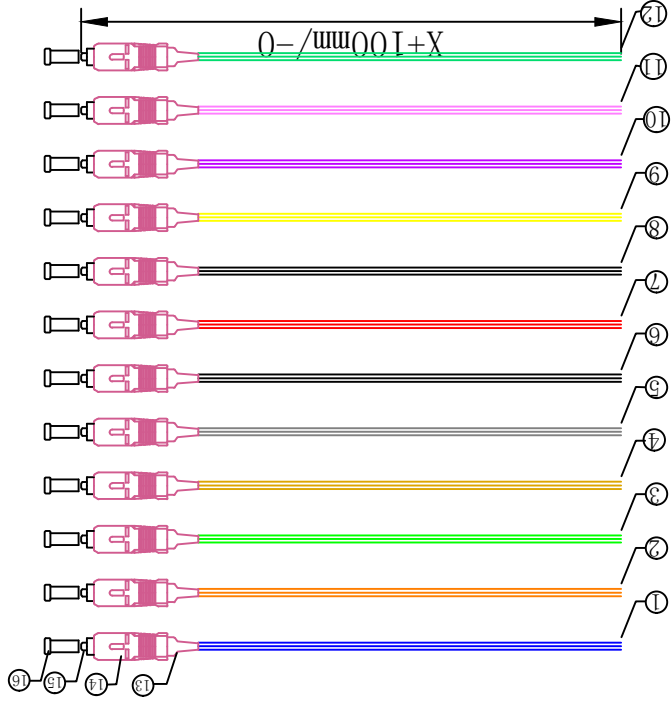


| | |
|--------------|---|
| PRODUCT NAME | SC MM Aqua (ceramic) Duplex plastic Adapter |
| ITEM NO. | 2Direct Gmbh |
| UNIT | MM |

NOTE:
The primary coating and secondary coating
have the same color
RoHS 2.0 Compliant

| NO | SPECIFICATION STANDARD | | QTY | REMARK |
|----|------------------------|--|-----|--------|
| ① | Fiber Cable | LOSE TUBE MM OM4 50/125 0.9mm BLUE LSZH | Xm | |
| ② | Fiber Cable | LOSE TUBE MM OM4 50/125 0.9mm ORANGE LSZH | Xm | |
| ③ | Fiber Cable | LOSE TUBE MM OM4 50/125 0.9mm GREEN LSZH | Xm | |
| ④ | Fiber Cable | LOSE TUBE MM OM4 50/125 0.9mm BROWN LSZH | Xm | |
| ⑤ | Fiber Cable | LOSE TUBE MM OM4 50/125 0.9mm GREY LSZH | Xm | |
| ⑥ | Fiber Cable | LOSE TUBE MM OM4 50/125 0.9mm WHITE LSZH | Xm | |
| ⑦ | Fiber Cable | LOSE TUBE MM OM4 50/125 0.9mm RED LSZH | Xm | |
| ⑧ | Fiber Cable | LOSE TUBE MM OM4 50/125 0.9mm BLACK LSZH | Xm | |
| ⑨ | Fiber Cable | LOSE TUBE MM OM4 50/125 0.9mm YELLOW LSZH | Xm | |
| ⑩ | Fiber Cable | LOSE TUBE MM OM4 50/125 0.9mm VIOLET LSZH | Xm | |
| ⑪ | Fiber Cable | LOSE TUBE MM OM4 50/125 0.9mm PINK LSZH | Xm | |
| ⑫ | Fiber Cable | LOSE TUBE MM OM4 50/125 0.9mm TURQUOISE LSZH | Xm | |
| ⑬ | SC 0.9 Erika | violet Boot | 12 | |
| ⑭ | SC MM 0.9 Erika | violet Connector | 12 | |
| ⑮ | SC/UPC MM Ferrule | 126-128um | 12 | |
| ⑯ | SC Transparent | Dust Cap | 12 | |

| | | | | | | | | | |
|----|-----|-------------------------------|------------|------|---------|--------------------------------|---------------------|----------|------------|
| BY | CHK | REVISION RECORD MODIFICATIONS | DATE | REV. | DRAWNBY | CHECKBY | APPROBY | DATE | 2016.08.25 |
| | | NEW | 2016.08.25 | A | | | | | |
| | | | | | PRODUCT | Plataiset SC/UPC OM4 50/125 μm | 12 different colors | ITEM NO. | 1 |
| | | | | | UNIT | MM | | | |

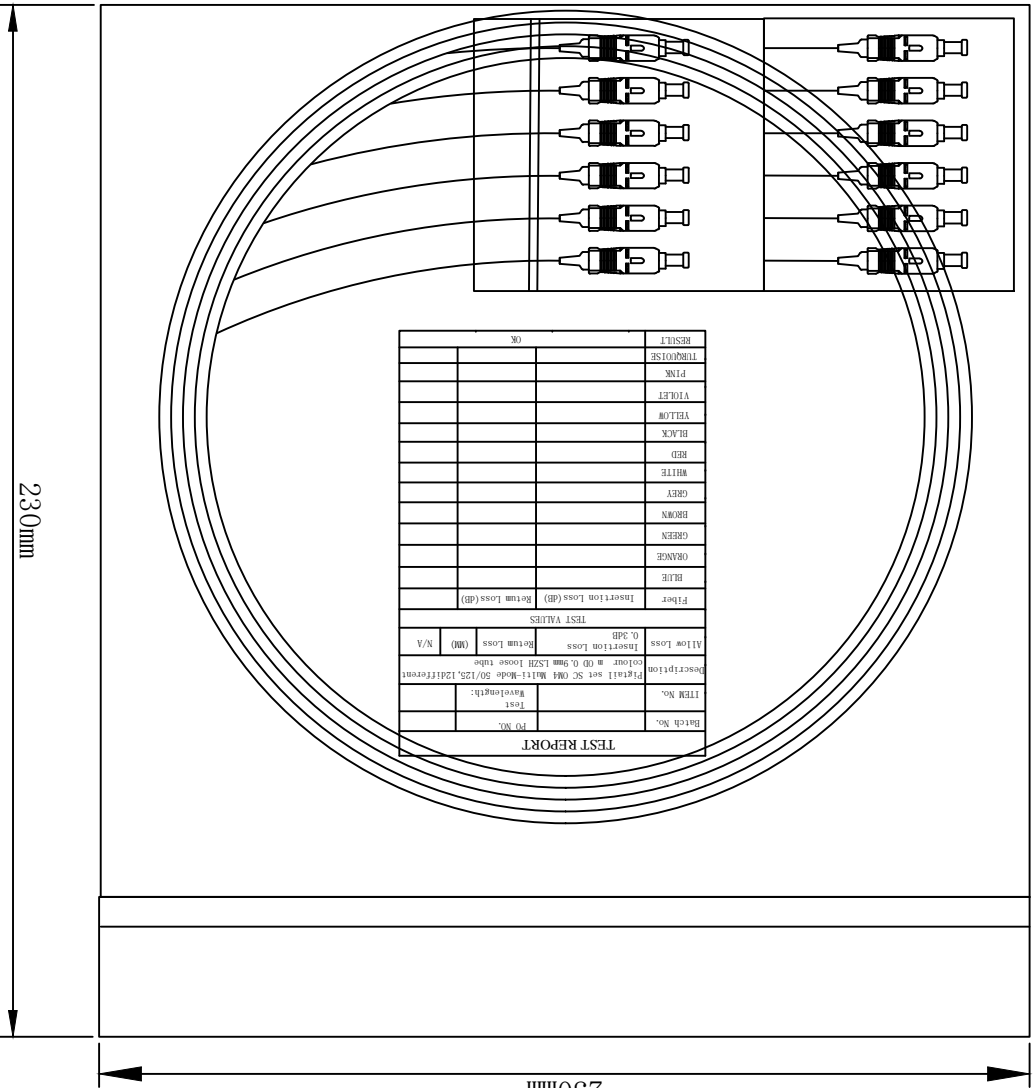


| | | | | | | | |
|------|------------|----------------|------------------|-------------|----|-----------------|-------|
| Type | Multi-Mode | Insertion Loss | $<=0.3\text{dB}$ | Return Loss | NA | Test Wavelength | 850nm |
|------|------------|----------------|------------------|-------------|----|-----------------|-------|

| | | | | | | | | |
|----|-----|-------------------------------|------------|------|---------|---------|---------|------------|
| BY | CHK | REVISION RECORD MODIFICATIONS | DATE | REV. | DRAWNBY | CHECKBY | APPROBY | DATE |
| | | NEW | 2016.08.25 | A | | | | 2016.08.25 |

| | | | | |
|--------------|----------------------|----------|------|----|
| PRODUCT NAME | 12 different colours | ITEM NO. | UNIT | MM |
| 2Direct GmbH | | ITEM NO. | | |

| TEST REPORT | | | |
|-------------|--|------------------|-------------|
| Batch No. | PO NO. | Test | Wavelength: |
| ITEM No. | | | |
| Description | Pigtail set SC OM4 Multi-Mode 50/125, 12different colour xm OD 0.9mm LSZH loose tube | | |
| Allow Loss | Insertion Loss | Return Loss | (MM) |
| | 0.3dB | | N/A |
| TEST VALUES | | | |
| Fiber | Insertion Loss (dB) | Return Loss (dB) | |
| BLUE | | | |
| ORANGE | | | |
| GREEN | | | |
| BROWN | | | |
| GREY | | | |
| WHITE | | | |
| RED | | | |
| BLACK | | | |
| YELLOW | | | |
| VIOLET | | | |
| PINK | | | |
| TURQUOISE | | | |
| RESULT | OK | | |



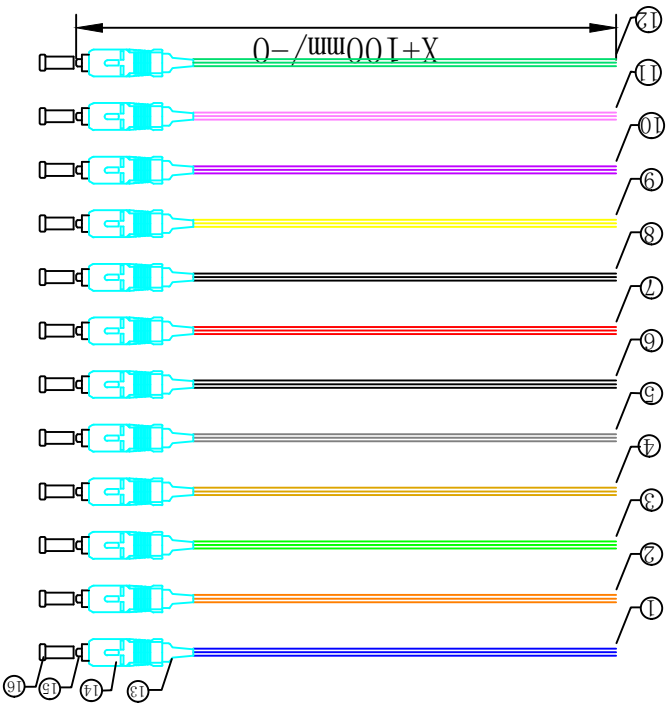
NOTE:
The primary coating and secondary coating
have the same color
ROHS 2.0 Compliant

| NO | SPECIFICATION STANDARD | QTY | REMARK |
|----|---|-----|--------|
| ① | Fiber Cable LOOSE TUBE MM OM3 50/125 0.9mm BLUE LSZH | Xm | |
| ② | Fiber Cable LOOSE TUBE MM OM3 50/125 0.9mm ORANGE LSZH | Xm | |
| ③ | Fiber Cable LOOSE TUBE MM OM3 50/125 0.9mm GREEN LSZH | Xm | |
| ④ | Fiber Cable LOOSE TUBE MM OM3 50/125 0.9mm BROWN LSZH | Xm | |
| ⑤ | Fiber Cable LOOSE TUBE MM OM3 50/125 0.9mm GREY LSZH | Xm | |
| ⑥ | Fiber Cable LOOSE TUBE MM OM3 50/125 0.9mm WHITE LSZH | Xm | |
| ⑦ | Fiber Cable LOOSE TUBE MM OM3 50/125 0.9mm RED LSZH | Xm | |
| ⑧ | Fiber Cable LOOSE TUBE MM OM3 50/125 0.9mm BLACK LSZH | Xm | |
| ⑨ | Fiber Cable LOOSE TUBE MM OM3 50/125 0.9mm YELLOW LSZH | Xm | |
| ⑩ | Fiber Cable LOOSE TUBE MM OM3 50/125 0.9mm VIOLET LSZH | Xm | |
| ⑪ | Fiber Cable LOOSE TUBE MM OM3 50/125 0.9mm PINK LSZH | Xm | |
| ⑫ | Fiber Cable LOOSE TUBE MM OM3 50/125 0.9mm TURQUOISE LSZH | Xm | |
| ⑬ | SC 0.9 Aqua Boot | 12 | |
| ⑭ | SC MM 0.9 Aqua Connector | 12 | |
| ⑮ | SC/UPC MM Ferrule 126-128um | 12 | |
| ⑯ | SC Transparent Dust Cap | 12 | |

| | | | | | | | | |
|----|-----|-------------------------------|------------|------|--|----------|---------|------------|
| BY | CHK | REVISION RECORD MODIFICATIONS | DATE | REV. | DRAWNBY | CHECKBY | APPROBY | DATE |
| | | NEW | 2016.08.25 | A | | | | 2016.08.25 |
| | | | | | PRODUCT Pigtailset SC/UPC OM3 50/125µm 12 different colors | ITEM NO. | UNIT | MM |

| | |
|--------------|----------|
| 2Direct Gmbh | ITEM NO. |
|--------------|----------|

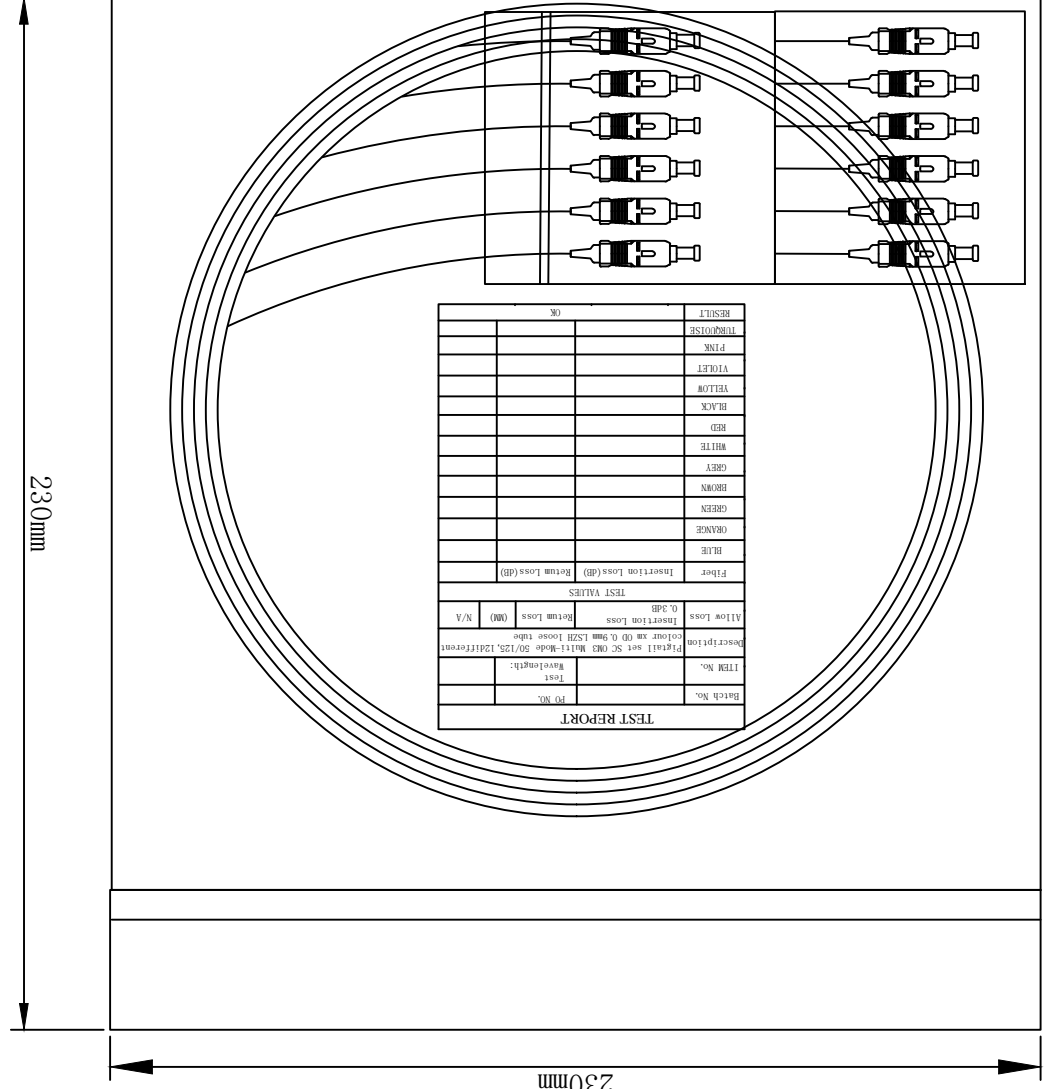
| | |
|-----------------|------------|
| Type | Multi-Mode |
| Insertion Loss | <=0.3dB |
| Return Loss | NA |
| Test Wavelength | 850nm |



| | | | | | | | | |
|----|-----|-------------------------------|------------|------|------------------------|--------------------------------|----------|------------|
| BY | CHK | REVISION RECORD MODIFICATIONS | DATE | REV. | DRAWNBY | CHECKBY | APPROBY | DATE |
| | | NEW | 2016.08.25 | A | | | | 2016.08.25 |
| | | | | | PRODUCT | NAME | ITEM NO. | UNIT |
| | | | | | Pigtails set SC/PC OM3 | 50/125 µm 12 different colours | | MM |

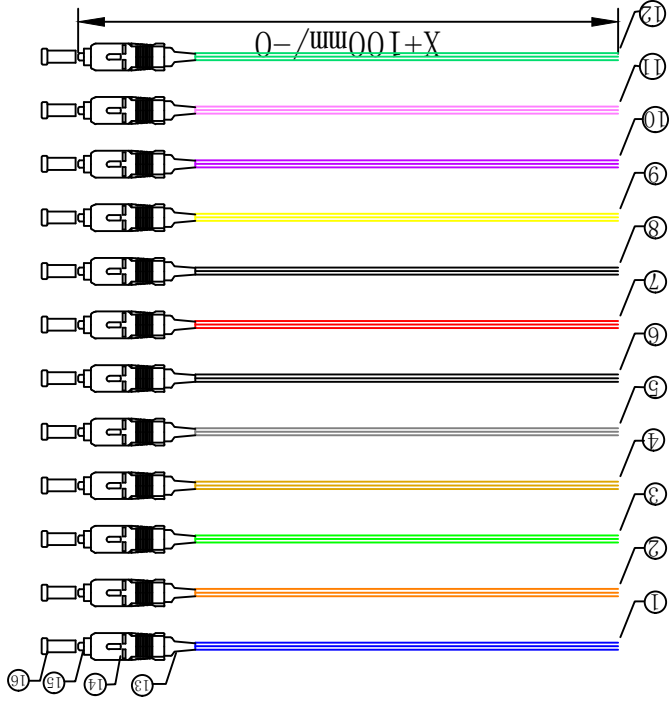
| | | | |
|--|--|--------------|----------|
| | | ZDirect Gmbh | ITEM NO. |
| | | | |

| | | | |
|-------------|---|------------------|----------|
| TEST REPORT | | | |
| Batch No. | PO NO. | | |
| ITEM No. | Test | Wavelength: | |
| Description | Pigtails set SC OM3 Multi-Mode 50/125, 12different colour xm OD 0.9mm LSZH loose tube | | |
| Allow Loss | Insertion Loss | Return Loss | (MM) N/A |
| | 0.3dB | | |
| TEST VALUES | | | |
| Fiber | Insertion Loss (dB) | Return Loss (dB) | |
| ORANGE | | | |
| GREEN | | | |
| BROWN | | | |
| GREY | | | |
| WHITE | | | |
| RED | | | |
| BLACK | | | |
| YELLOW | | | |
| VIOLET | | | |
| PINK | | | |
| TURQUOISE | | | |
| RESULT | OK | | |



NOTE:
The primary coating and secondary coating
have the same color
ROHS 2.0 Compliant

| NO | SPECIFICATION STANDARD | QTY | REMARK |
|----|---|-----|--------|
| ① | Fiber Cable LOOSE TUBE MM OM2 50/125 0.9mm BLUE LSZH | Xm | |
| ② | Fiber Cable LOOSE TUBE MM OM2 50/125 0.9mm ORANGE LSZH | Xm | |
| ③ | Fiber Cable LOOSE TUBE MM OM2 50/125 0.9mm GREEN LSZH | Xm | |
| ④ | Fiber Cable LOOSE TUBE MM OM2 50/125 0.9mm BROWN LSZH | Xm | |
| ⑤ | Fiber Cable LOOSE TUBE MM OM2 50/125 0.9mm GREY LSZH | Xm | |
| ⑥ | Fiber Cable LOOSE TUBE MM OM2 50/125 0.9mm WHITE LSZH | Xm | |
| ⑦ | Fiber Cable LOOSE TUBE MM OM2 50/125 0.9mm RED LSZH | Xm | |
| ⑧ | Fiber Cable LOOSE TUBE MM OM2 50/125 0.9mm BLACK LSZH | Xm | |
| ⑨ | Fiber Cable LOOSE TUBE MM OM2 50/125 0.9mm YELLOW LSZH | Xm | |
| ⑩ | Fiber Cable LOOSE TUBE MM OM2 50/125 0.9mm VIOLET LSZH | Xm | |
| ⑪ | Fiber Cable LOOSE TUBE MM OM2 50/125 0.9mm PINK LSZH | Xm | |
| ⑫ | Fiber Cable LOOSE TUBE MM OM2 50/125 0.9mm TURQUOISE LSZH | Xm | |
| ⑬ | SC 0.9 Beige Boot | 12 | |
| ⑭ | SC MM 0.9 Beige Connector | 12 | |
| ⑮ | SC/UPC MM Ferrule 126-128um | 12 | |
| ⑯ | SC Transparent Dust Cap | 12 | |



| | |
|-----------------|------------|
| Type | Multi-Mode |
| Insertion Loss | <=0.3dB |
| Return Loss | NA |
| Test Wavelength | 850nm |

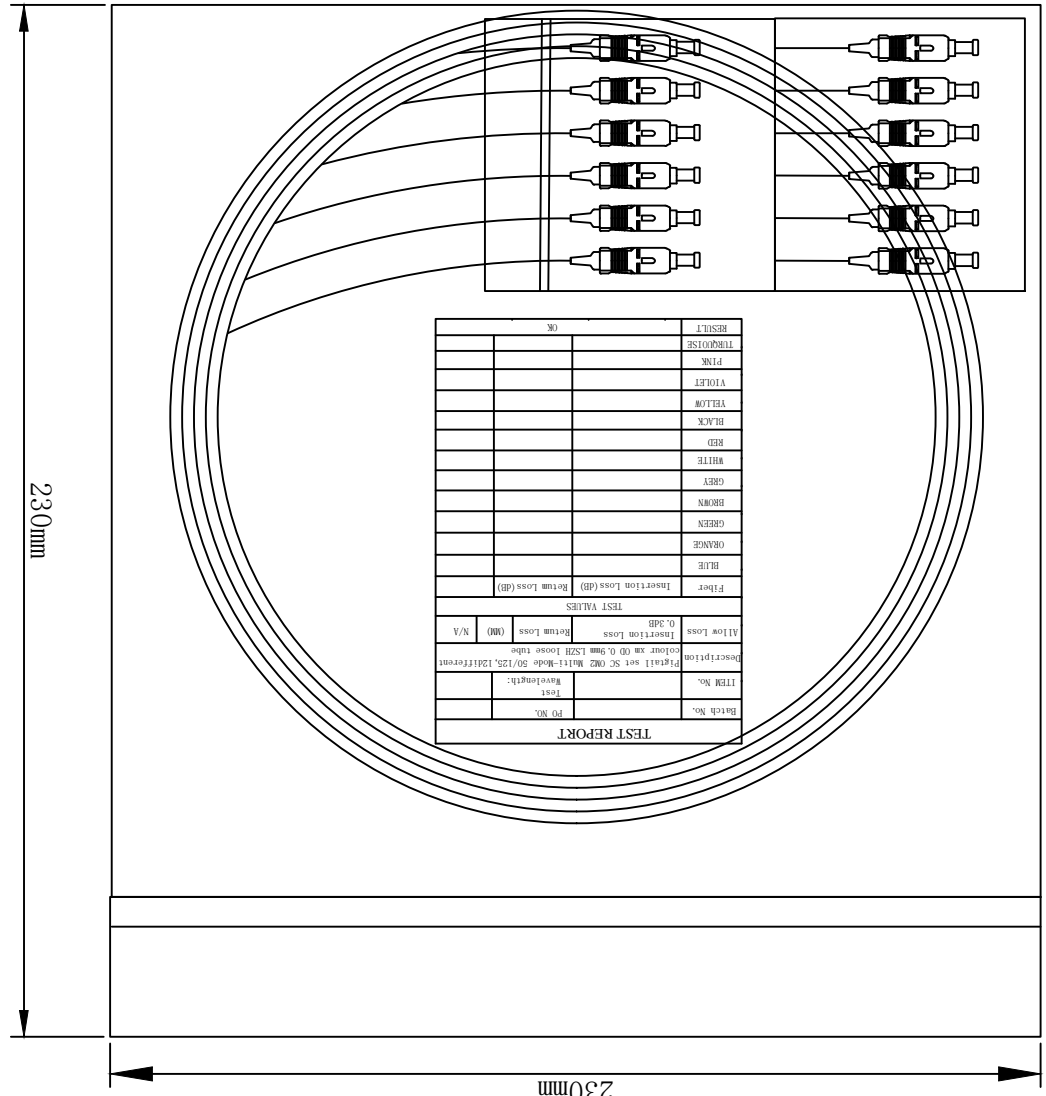
| BY | CHK | REVISION RECORD MODIFICATIONS | DATE | REV. | DRAWNBY | CHECKBY | APPROBY | DATE |
|----|-----|-------------------------------|------------|------|---------|---------|---------|------------|
| | | NEW | 2016.08.25 | A | | | | 2016.08.25 |

| | | |
|--------------|---------------------------------|----------------------|
| PRODUCT NAME | Pigtailset SC/UPC OM2 50/125 μm | 12 different colours |
| 2Direct GmbH | ITEM NO. | |

| | | | | | | | | | |
|----|-----|-------------------------------|------------|------|---------|----------------------------------|----------|------|------------|
| BY | CHK | REVISION RECORD MODIFICATIONS | DATE | REV. | | | | | |
| | | NEW | 2016.08.25 | A | DRAWNBY | CHECKBY | APPROBY | DATE | 2016.08.25 |
| | | | | | PRODUCT | Figtail set SC/UPC OM2 50/125 μm | ITEM NO. | UNIT | MM |

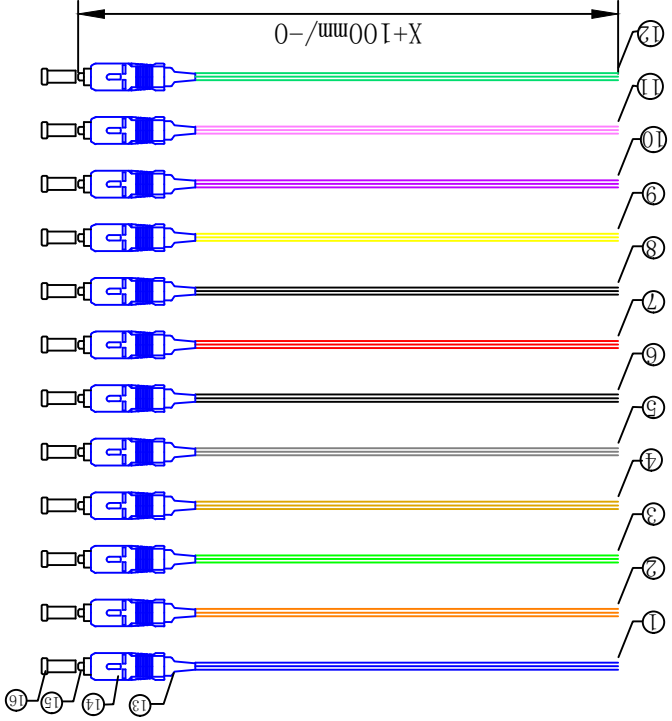
| | | |
|--------------|--|----------|
| 2Direct GmbH | | ITEM NO. |
| ITEM NO. | | |

| | | | |
|--|---------------------|------------------|-------------|
| TEST REPORT | | | |
| Batch No. | PO NO. | Test | Wavelength: |
| ITEM No. | | | |
| Description Figtail set SC OM2 Multi-Mode 50/125, 12different colour xm OD 0.9mm LSZH loose tube | | | |
| Allow Loss | Insertion Loss | Return Loss | (MM) N/A |
| | 0.3dB | | |
| TEST VALUES | | | |
| Fiber | Insertion Loss (dB) | Return Loss (dB) | |
| BLUE | | | |
| ORANGE | | | |
| GREEN | | | |
| BROWN | | | |
| GREY | | | |
| WHITE | | | |
| RED | | | |
| BLACK | | | |
| YELLOW | | | |
| VIOLET | | | |
| PINK | | | |
| TURQUOISE | | | |
| RESULT | OK | | |



NOTE:
The primary coating and secondary coating
have the same color
ROHS 2.0 Compliant

| NO | SPECIFICATION STANDARD | | QT'Y | REMARK |
|----|--|----|------|--------|
| ① | Fiber Cable LOOSE TUBE SM 9/125 0.9mm BLUE LSZH | Xm | | |
| ② | Fiber Cable LOOSE TUBESM 9/125 0.9mm ORANGE LSZH | Xm | | |
| ③ | Fiber Cable LOOSE TUBE SM 9/125 0.9mm GREEN LSZH | Xm | | |
| ④ | Fiber Cable LOOSE TUBE SM 9/125 0.9mm BROWN LSZH | Xm | | |
| ⑤ | Fiber Cable LOOSE TUBE SM 9/125 0.9mm GREY LSZH | Xm | | |
| ⑥ | Fiber Cable LOOSE TUBE SM 9/125/125 0.9mm WHITE LSZH | Xm | | |
| ⑦ | Fiber Cable LOOSE TUBE SM 9/125 0.9mm RED LSZH | Xm | | |
| ⑧ | Fiber Cable LOOSE TUBE SM 9/125 0.9mm BLACK LSZH | Xm | | |
| ⑨ | Fiber Cable LOOSE TUBE SM 9/125 0.9mm YELLOW LSZH | Xm | | |
| ⑩ | Fiber Cable LOOSE TUBE SM 9/125 0.9mm VIOLET LSZH | Xm | | |
| ⑪ | Fiber Cable LOOSE TUBE SM 9/125 0.9mm PINK LSZH | Xm | | |
| ⑫ | Fiber Cable LOOSE TUBE SM 9/125 0.9mm TURQUOISE LSZH | Xm | | |
| ⑬ | SC 0.9 Blue Boot | 12 | | |
| ⑭ | SC SM 0.9 Blue Connector | 12 | | |
| ⑮ | SC/UPC SM Ferrule 125-126um | 12 | | |
| ⑯ | SC Transparent Dust Cap | 12 | | |



| | |
|-----------------|-------------|
| Type | Single-Mode |
| Insertion Loss | <=0.3dB |
| Return Loss | >=50dB |
| Test Wavelength | 1310nm |

| BY | CHK | REVISION RECORD MODIFICATIONS | DATE | REV. | DRAWNBY | CHECKBY | APPROBY | DATE |
|----|-----|-------------------------------|------------|------|---------|---------|---------|------------|
| | | NEW | 2016.08.25 | A | | | | 2016.08.25 |

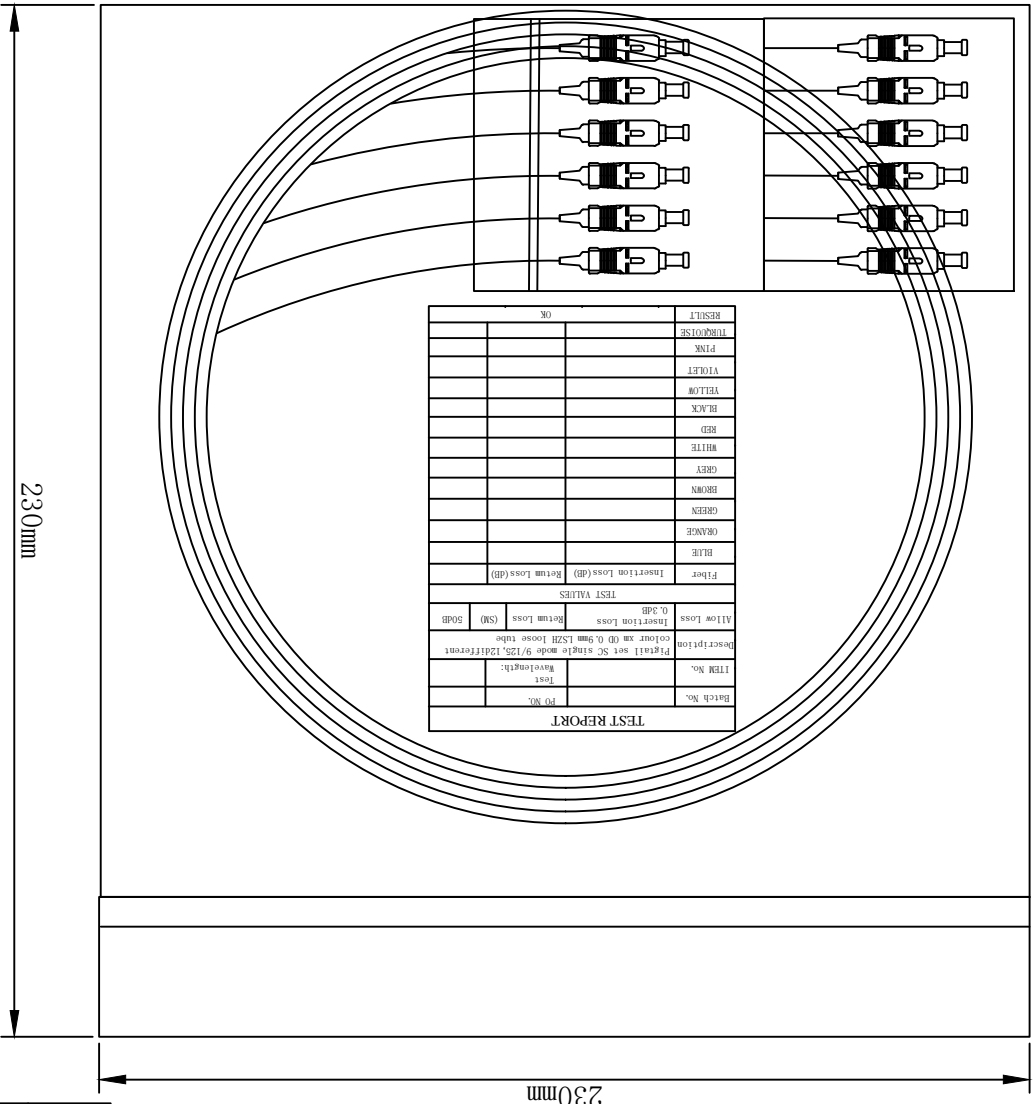
| | |
|----------|--------------|
| ITEM NO. | 2Direct Gmbh |
| ITEM NO. | |

| | |
|---------|-----------------------------|
| PRODUCT | Pigtailsset SC/UPC 9/125 μm |
| NAME | 12 different colors |

| | |
|------|----|
| UNIT | MM |
|------|----|

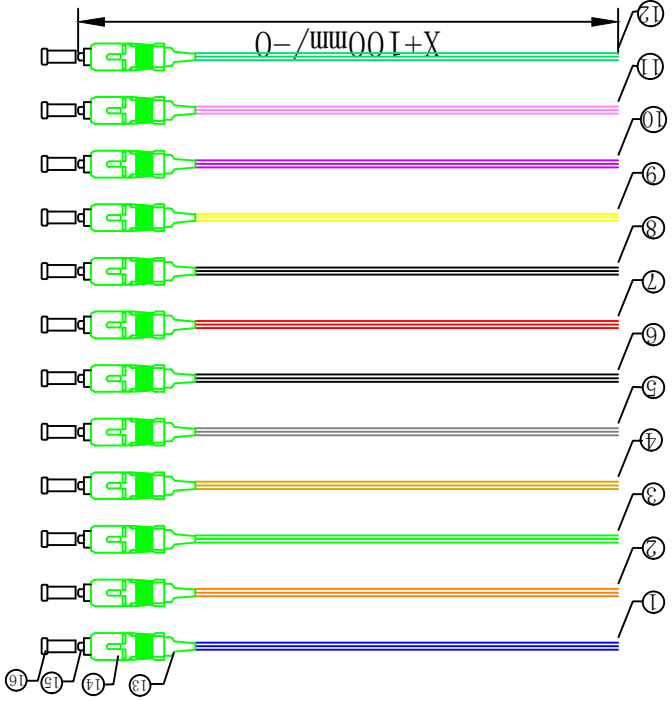
| | | | | | | | | | |
|----|-----|-------------------------------|------------|------|-----------------------------|---------|----------|---------------------|------------|
| BY | CHK | REVISION RECORD MODIFICATIONS | DATE | REV. | | | | | |
| | | NEW | 2016.08.25 | A | DRAWNBY | CHECKBY | APPOBY | DATE | 2016.08.25 |
| | | | | | PRODUCT | NAME | | 12 different colors | |
| | | | | | Pigtail set SC/UPC 9/125 μm | | ITEM NO. | UNIT | MM |
| | | | | | 2Direct GmbH | | ITEM NO. | | |

| | | | |
|--------------------|--|------------------|-----------|
| TEST REPORT | | | |
| Batch No. | PO NO. | | |
| ITEM No. | Test | Wavelength: | |
| Description | Pigtail set SC single mode 9/125, 12different colour xm OD 0.9mm LSZH loose tube | | |
| Allow Loss | Insertion Loss | Return Loss | (SM) 50dB |
| TEST VALUES | | | |
| Fiber | Insertion Loss (dB) | Return Loss (dB) | |
| BLUE | | | |
| ORANGE | | | |
| GREEN | | | |
| BROWN | | | |
| GREY | | | |
| WHITE | | | |
| RED | | | |
| BLACK | | | |
| YELLOW | | | |
| VIOLET | | | |
| PINK | | | |
| TURQUOISE | | | |
| RESULT | OK | | |



NOTE:
The primary coating and secondary coating
have the same color
ROHS 2.0 Compliant

| NO | SPECIFICATION STANDARD | | QT'Y | REMARK |
|----|--|----|------|--------|
| ① | Fiber Cable LOOSE TUBE SM 9/125 0.9mm BLUE LSZH | Xm | | |
| ② | Fiber Cable LOOSE TUBESM 9/125 0.9mm ORANGE LSZH | Xm | | |
| ③ | Fiber Cable LOOSE TUBE SM 9/125 0.9mm GREEN LSZH | Xm | | |
| ④ | Fiber Cable LOOSE TUBE SM 9/125 0.9mm BROWN LSZH | Xm | | |
| ⑤ | Fiber Cable LOOSE TUBE SM 9/125 0.9mm GREY LSZH | Xm | | |
| ⑥ | Fiber Cable LOOSE TUBE SM 9/125/125 0.9mm WHITE LSZH | Xm | | |
| ⑦ | Fiber Cable LOOSE TUBE SM 9/125 0.9mm RED LSZH | Xm | | |
| ⑧ | Fiber Cable LOOSE TUBE SM 9/125 0.9mm BLACK LSZH | Xm | | |
| ⑨ | Fiber Cable LOOSE TUBE SM 9/125 0.9mm YELLOW LSZH | Xm | | |
| ⑩ | Fiber Cable LOOSE TUBE SM 9/125 0.9mm VIOLET LSZH | Xm | | |
| ⑪ | Fiber Cable LOOSE TUBE SM 9/125 0.9mm PINK LSZH | Xm | | |
| ⑫ | Fiber Cable LOOSE TUBE SM 9/125 0.9mm TURQUOISE LSZH | Xm | | |
| ⑬ | SC 0.9 Green Boot | 12 | | |
| ⑭ | SC APC 0.9 Green Connector | 12 | | |
| ⑮ | SC/APC 8° SM Ferrule 125-126um | 12 | | |
| ⑯ | SC Transparent Dust Cap | 12 | | |



| | |
|-----------------|------------------|
| Type | Single-Mode |
| Insertion Loss | $<=0.3\text{dB}$ |
| Return Loss | $>=60\text{dB}$ |
| Test Wavelength | 1310nm |

| BY | CHK | REVISION RECORD MODIFICATIONS | DATE | REV. | DRAWNBY | CHECKBY | APPROBY | DATE |
|----|-----|-------------------------------|------------|------|---------|---------|---------|------------|
| | | NEW | 2016.08.25 | A | | | | 2016.08.25 |

| | |
|----------|--------------|
| ITEM NO. | 2Direct Gmbh |
| ITEM NO. | |

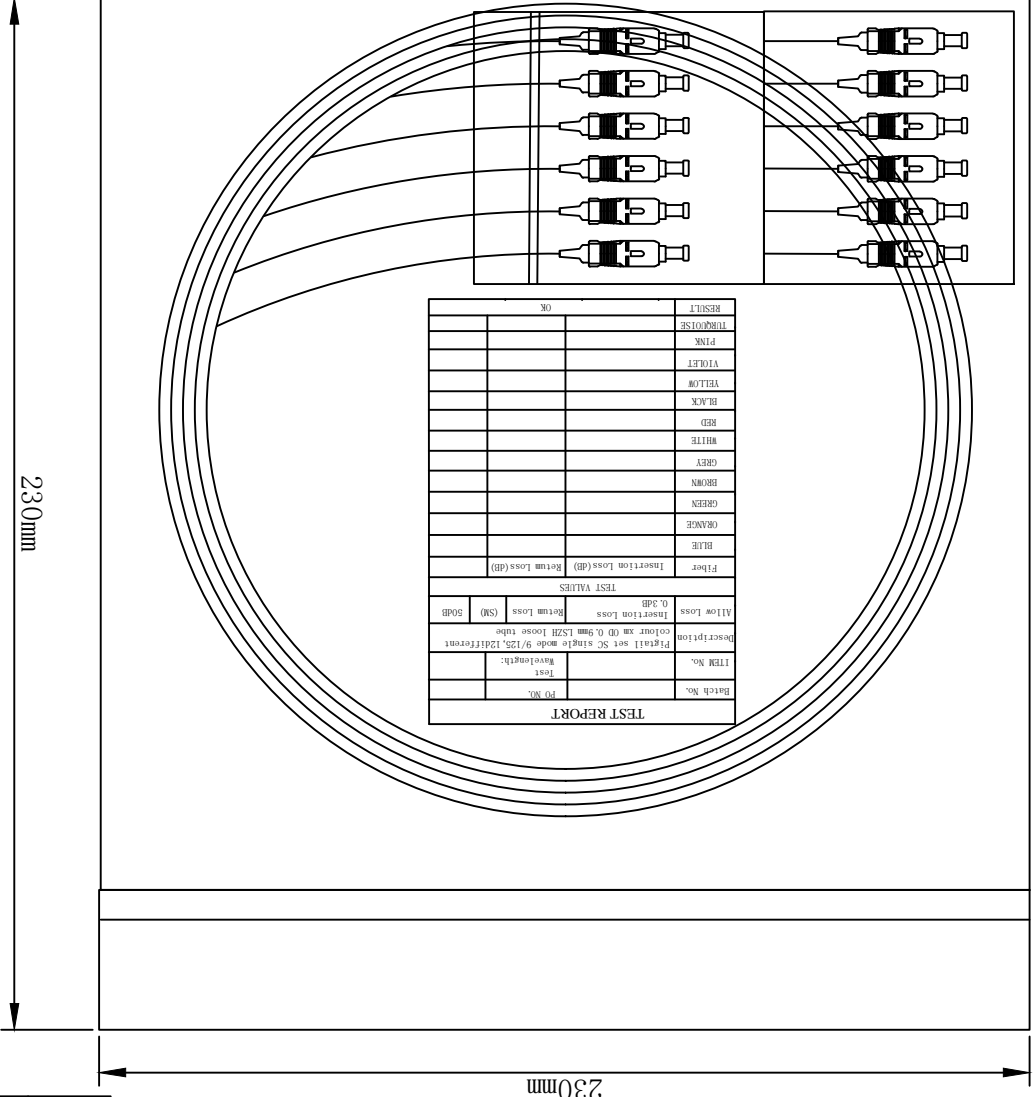
| | |
|---------|--------------------------------------|
| PRODUCT | Pigtaiset SC/APC 9/125 μm |
| NAME | 12 different colors |

| | |
|------|----|
| UNIT | MM |
|------|----|

| | |
|------|--------|
| Page | 1 of 2 |
|------|--------|

| | | | | | | | | | |
|----|-----|-------------------------------|------------|------|---------|-----------------------------|----------|----------|------------|
| BY | CHK | REVISION RECORD MODIFICATIONS | DATE | REV. | DRAWNBY | CHECKBY | APPOBY | DATE | 2016.08.25 |
| | | NEW | 2016.08.25 | A | | | | | |
| | | | | | PRODUCT | Pigtail set SC/APC 9/125 μm | | ITEM NO. | |
| | | | | | NAME | 12 different colors | | UNIT | MM |
| | | | | | | 2Direct GmbH | ITEM NO. | | |

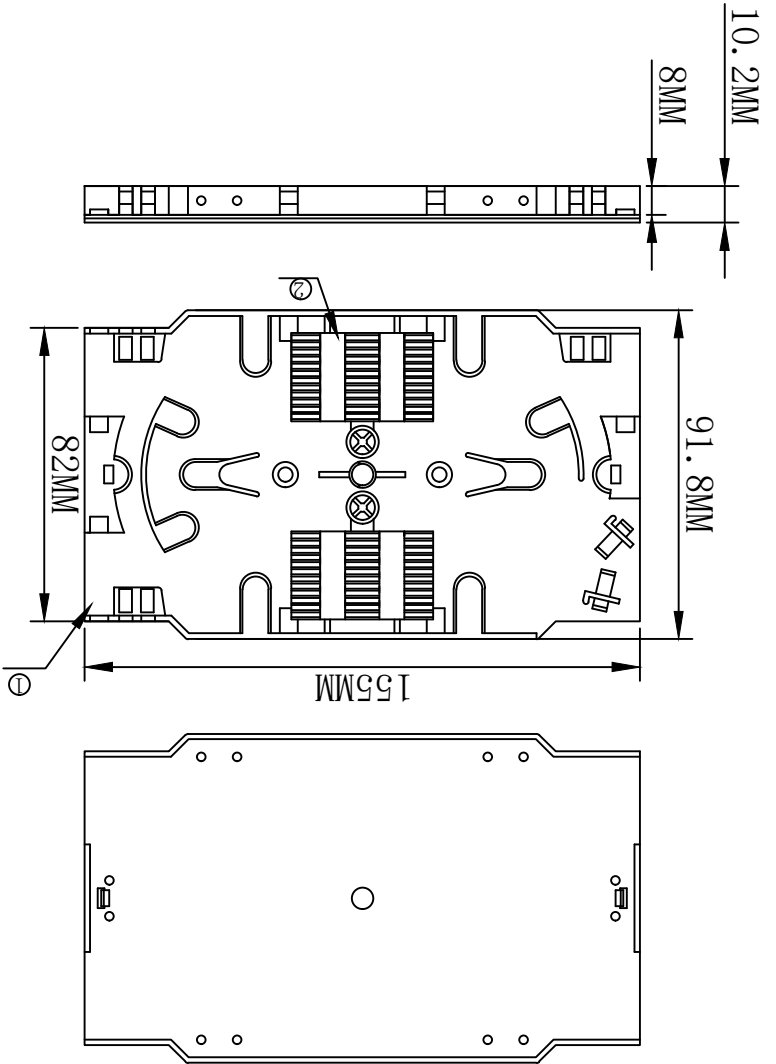
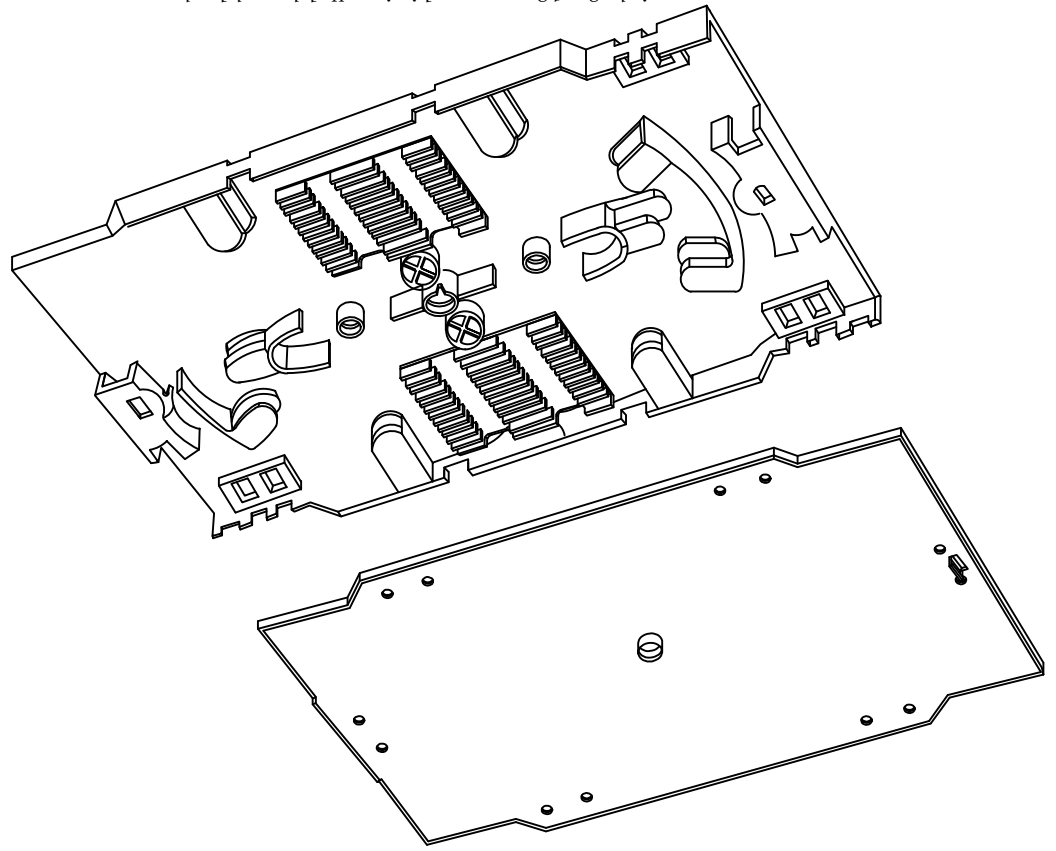
| | | | |
|-------------|--|------------------|------------|
| TEST REPORT | | | |
| Batch No. | PO NO. | | |
| ITEM No. | Test | Wavelength: | |
| Description | Pigtail set SC APC 9/125, 12different colour xm OD 0.9mm LSZH loose tube | | |
| Allow Loss | Insertion Loss | Return Loss | (APC) 60dB |
| TEST VALUES | | | |
| Fiber | Insertion Loss (dB) | Return Loss (dB) | |
| BLUE | | | |
| ORANGE | | | |
| GREEN | | | |
| BROWN | | | |
| BROWN | | | |
| GREY | | | |
| WHITE | | | |
| RED | | | |
| BLACK | | | |
| YELLOW | | | |
| VIOLET | | | |
| PINK | | | |
| TURQUOISE | | | |
| RESULT | OK | | |



| | | | | | | | | | |
|-----|---------------|-----------------------------------|--|------------|--------|---|----------|--------|------------|
| BY | CHK | REVISION RECORD MODIFICATIONS | | DATE | REV. | DRAWNBY | CHECKBY | APPOBY | DATE |
| | | NEW | | 2016.08.25 | A | | | | 2016.08.25 |
| NO. | PARTS NAME | SPECIFICATION DESCRIPTION | | QTY | REMARK | PRODUCT NAME | ITEM NO. | UNIT | MM |
| ① | Splicing tray | 24 cores splicing tray, ABS/Beige | | 1 | | Splicing tray with 2pcs of 12core holders | | | |
| ② | Splic Holder | ABS/Black | | 2 | | 2Direct Gmbh | | | |
| | | | | | | ITEM NO. | FB3001 | | |

MATERIAL LIST:

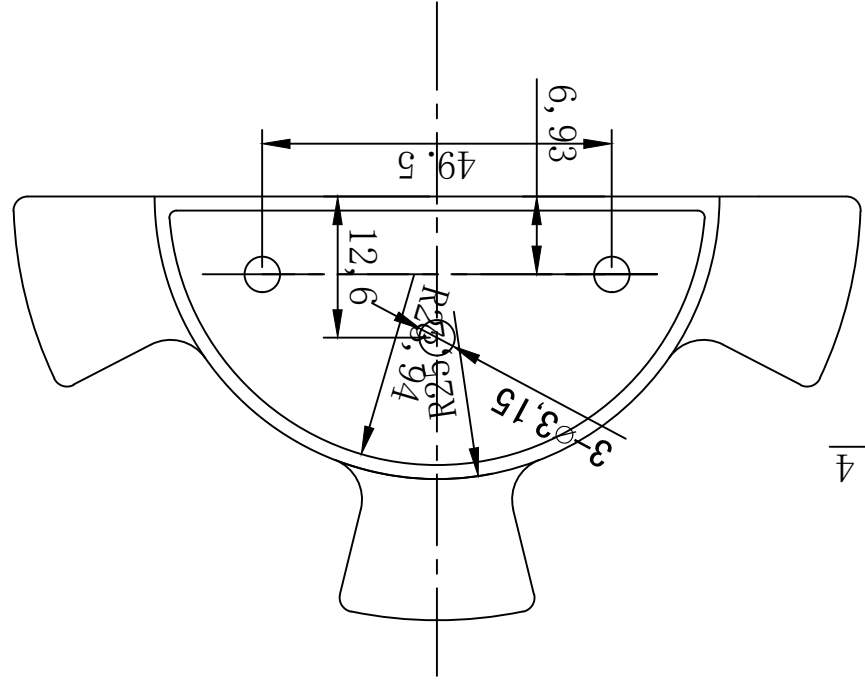
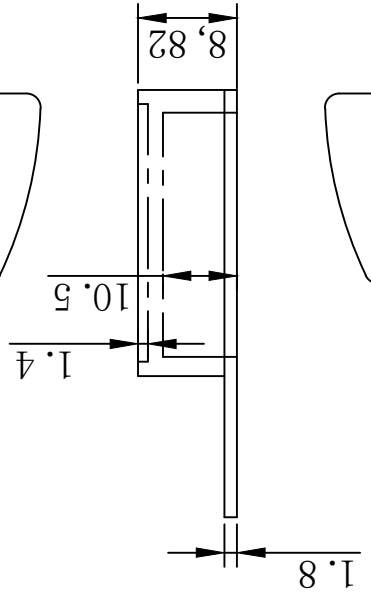
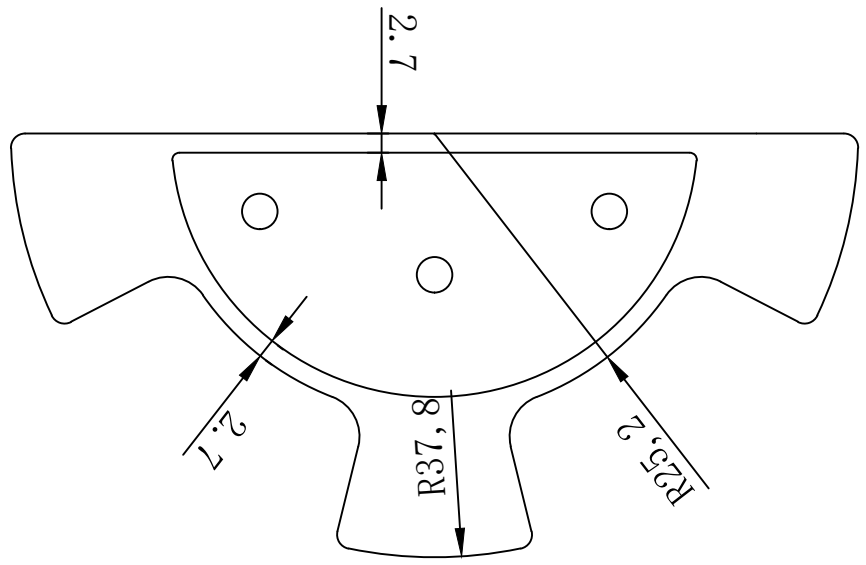
with 2* 12 core splicing Holder , black
 •Material:Plastic (Non fire retardant)
 •Color: beige
 •RoHS 2.0 and Reach Compliant
 •Packing:1pcs/PE bag+label 1, 100pcs/inner
 carton+outer carton+label 3



| | | | | | | | | |
|----|-----|-------------------------------|------------|------|--------------|------------------------|----------|------------|
| BY | CHK | REVISION RECORD MODIFICATIONS | DATE | REV. | DRAWNBY | CHECKBY | APPOBY | DATE |
| | | NEW | 2016.08.25 | A | | | | 2016.08.25 |
| | | | | | PRODUCT NAME | Fibre cable management | ITEM NO. | |
| | | | | | Spool - Grey | | | |
| | | | | | | | UNIT | MM |

| | |
|--------------|----------|
| 2Direct GmbH | ITEM NO. |
|--------------|----------|

Note:
 1. COLOUR: ABS/GRAY
 2. ROHS2.0 COMPLIANT
 3. Accessory: Screw M3*8, Hex Nut M3*2.4



X-ON Electronics

Largest Supplier of Electrical and Electronic Components

Click to view similar products for [Fibre Optic Connectors](#) category:

Click to view products by [Logilink](#) manufacturer:

Other Similar products are found below :

[F718092216](#) [AX104024](#) [AX100068](#) [AX103256](#) [501048-1](#) [E39R37](#) [181-048-16](#) [60926](#) [98039-003LF](#) [A0407006](#) [60923](#) [60921](#) [906-122-5047](#) [2102321-1](#) [F81ELBNNNSNM003](#) [F81ELBNNNSNM005](#) [F81ELBNNNSNM010](#) [FAP6WWDLCZ](#) [FHMPW-6-ABL](#) [FHMPW-6-BCG](#) [FQMAP65W](#) [FHC39N-08-10A](#) [FHC3XO-08-10A](#) [FHC3XO-08-10B](#) [FHC3ZO-08-10A](#) [FHC3ZO-08-10B](#) [FHC3ZA-08-10A](#) [FHC3ZA-08-10B](#) [FC2WA-12-10AS](#) [FHCXO-20F-10A](#) [FHCXO-24F-10A](#) [FC39N-16-10A](#) [FLCS2/9SOCA9AG](#) [FLCS2/9SOCPXAQ](#) [FLCS2/9SOCU9BU](#) [FSCS2/9SOCA9AG](#) [FSCS2/9SOCPXAQ](#) [FSCS2/9SOCU9BU](#) [FC29N-12-10U](#) [LXCRN1C1CL1N](#) [9446W14S-6S](#) [9442W14S-5S](#) [F780904000](#) [944-1023](#) [1534631-1](#) [181-035-1000](#) [20100014231](#) [F718111220](#) [F718190204](#) [17-300940](#)