

BY	CHK	REVISION RECORD MODIFICATIONS	DATE	REV.	DRAWNBY	CHECKBY	APPROBY	DATE	2016.08.25
		NEW	2016.08.25	A					
					PRODUCT NAME	ITEM NO.	UNIT	MM	
					19" Fiber Optic Patch Panel, Fully loaded IU" pigtail				

NO.	PARTS NAME	SPECIFICATION DESCRIPTION	QTY	REMARK
①	Adapter	SC Simplex Adapter	12	
②	Pigtail	Pigtail SC 12 different colours	1	
③	Splicing tray	24 Core Splicing tray	1	
④	Spool	Fibre cable management Spool	2	
⑤	Push pin	ABS OD:15.8	2	
⑥	Screw	ST 2*10 Screw	24	

MATERIAL LIST:

NOTE:
 ROHS 2.0 COMPLIANT
 1. Black(RAL 9005) matt black surface treatment
 2. 1 2 3 424
 3.packing:IPCS/PE BAG+inner box +label

LogiLink Professional F12SS2/3/4

2Direct GmbH

ITEM NO.

19" 1U Fiber Optic Patch Panel Front panel for 12 x SC simplex Adapter vertical, Black

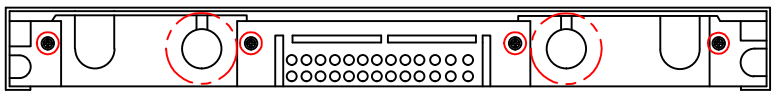
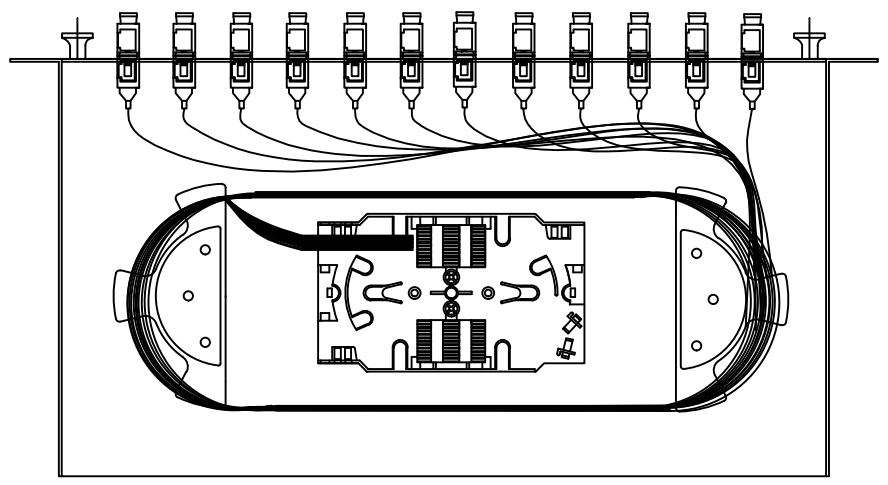
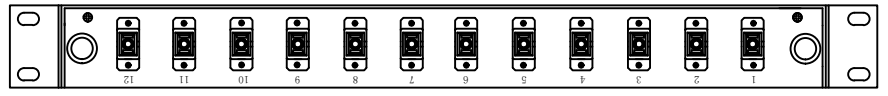
F103209 12 x SC OM2 Beige Simplex Adapter

F103206 12 x SC SM Blue Simplex Adapter

F103210 12 x SC OM3 Aqua Simplex Adapter

F103205 12 x SC OM4 Erika Violet Simplex Adapter

103201 24 x SC APC Green Simplex Adapter



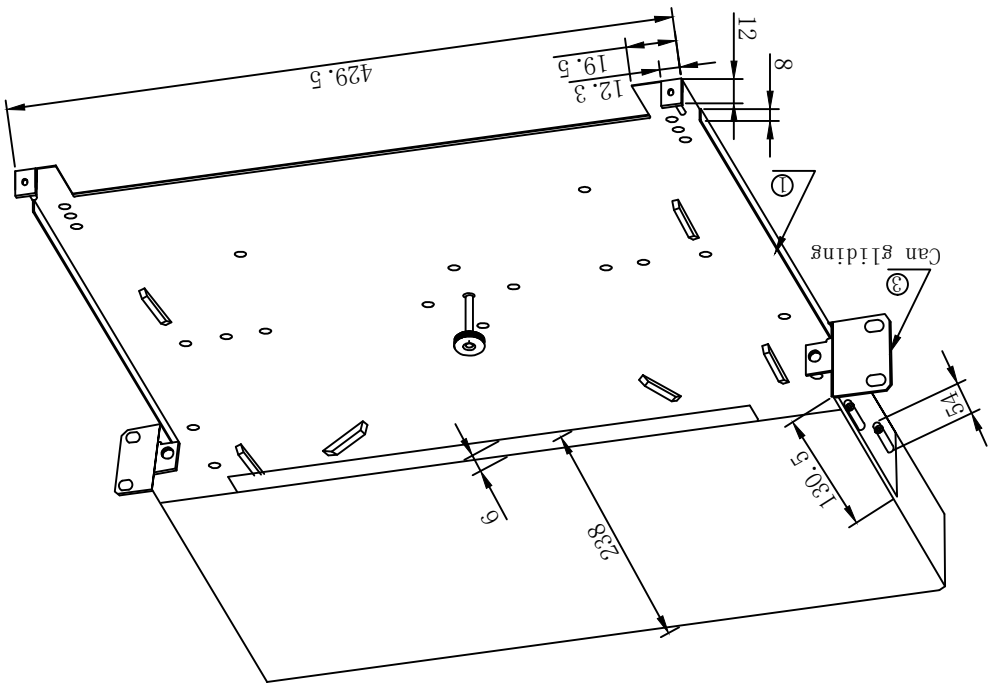
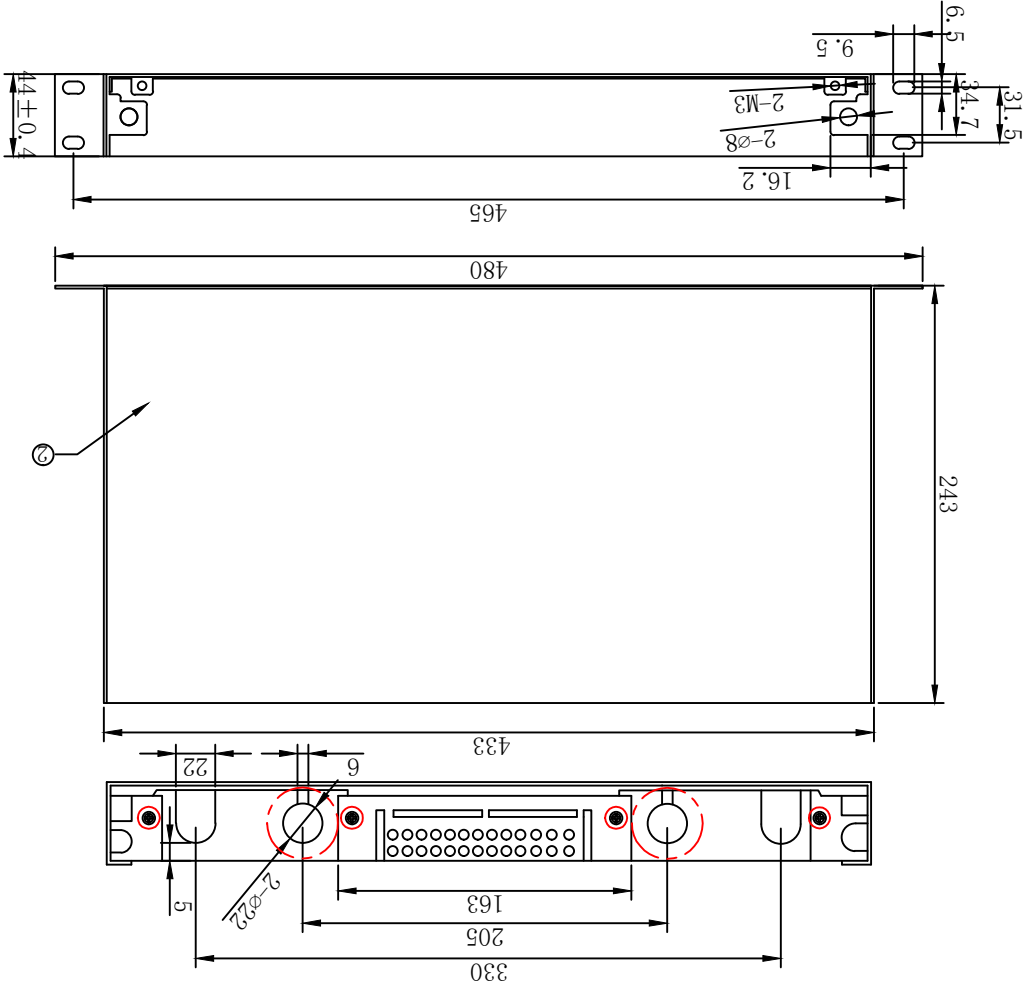
BY	CHK	REVISION RECORD MODIFICATIONS	DATE	REV.	DRAWNBY	CHECKBY	APPROBY	DATE
		NEW	2016.08.25	A				2016.08.25
					PRODUCT NAME	ITEM NO.	UNIT	MM
					19" Fiber Optic Patch Panel, 1U"			

NO.	PARTS NAME	SPECIFICATION DESCRIPTION	QTY	REMARK
①	Bottom Panel	1.0mm thickness Metallic Panel with plastic powder cladding	1	
②	Upper Panel Cover	1.0mm thickness Metallic Panel with plastic powder cladding	1	
③	Mounting	1.5mm thickness Metallic Panel with plastic powder cladding	2	
④	Front panel	1.0mm thickness Metallic Panel with plastic powder cladding	1	
⑤	Push pin	ABS OD:15.8	2	

MATERIAL LIST:

NOTE:
 RoHS 2.0 COMPLIANT
 19" Fiber Optic Patch Panel, 1U" Sliding Type
 Changeable Front Panel
 Bottom panel 45° degree clipable
 Colour: Black (RAL 9005)
 Accessory: Screw and Nut M6*18mm x 4set
 Cable Glands PG13.5 x 2 pcs
 Cable Tie 2.2*80mm x 6 pcs

LogiLink Professional F12SS2/3/4



BY	CHK	REVISION RECORD MODIFICATIONS	DATE	REV.	DRAWNBY	CHECKBY	APPROBY	DATE
		NEW	2016.08.25	A				2016.08.25

ITEM NO.	UNIT	MM
ITEM NO.		

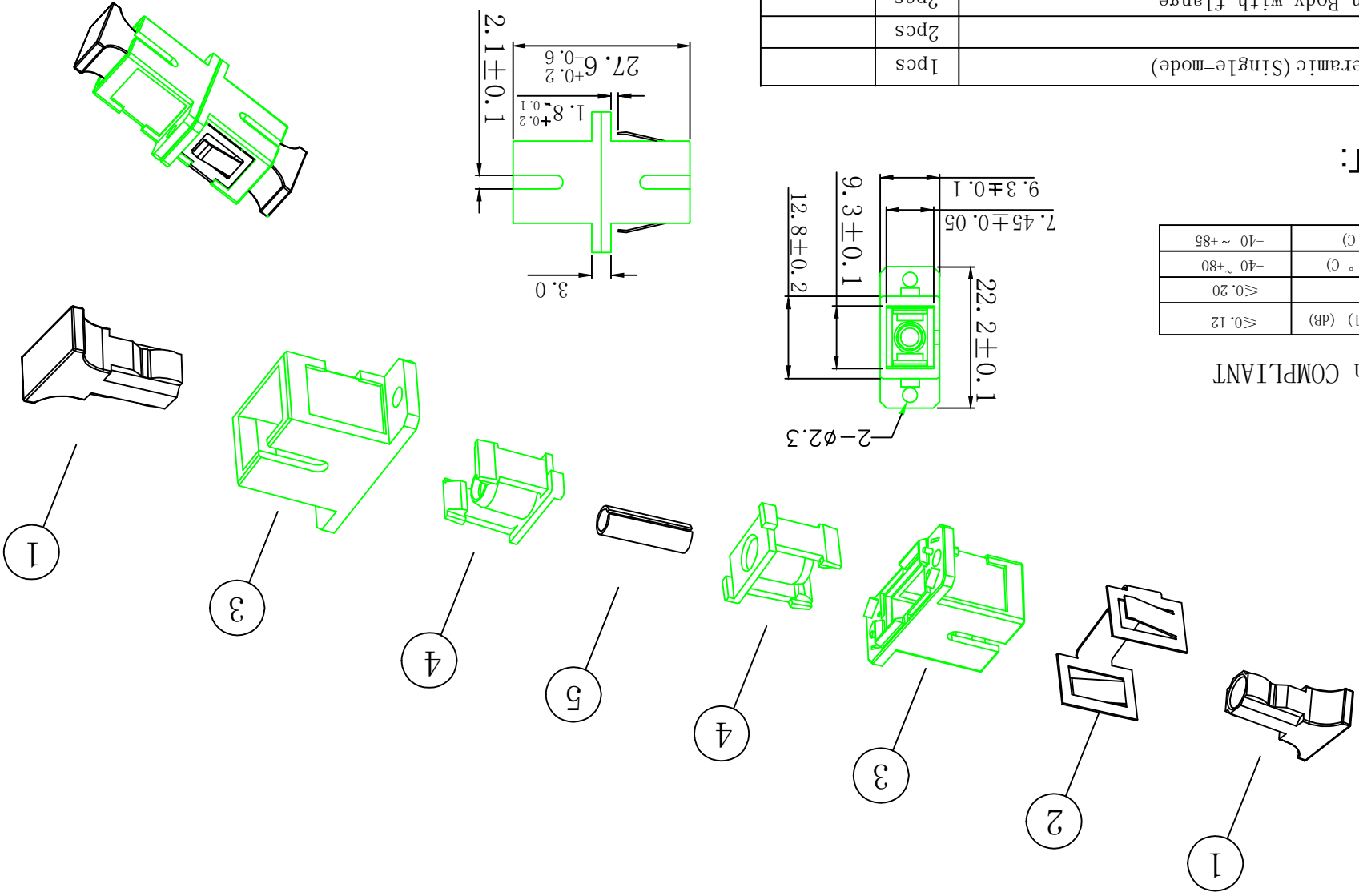
PRODUCT NAME	SC/APC Green(ceramic)Simplex plastic Adapter
2Direct GmbH	ITEM NO.

NO.	SPECIFICATION STANDARD	QTY	REMARK
①	SC Black Dust Cap	2pcs	
②	SC Metal Mount	1pcs	
③	SC Simplex Green Body with flange	2pcs	
④	SC GREEN Bush	2pcs	
⑤	SC/APC Sleeve ceramic (Single-mode)	1pcs	

MATERIAL LIST:

Insertion Loss (typical) (dB)	≤0.12
Insertion Loss (dB)	≤0.20
Operating Temperature (°C)	-40 ~ +80
Storage Temperature (°C)	-40 ~ +85

NOTE:
RoHS 2.0 & Reach COMPLIANT



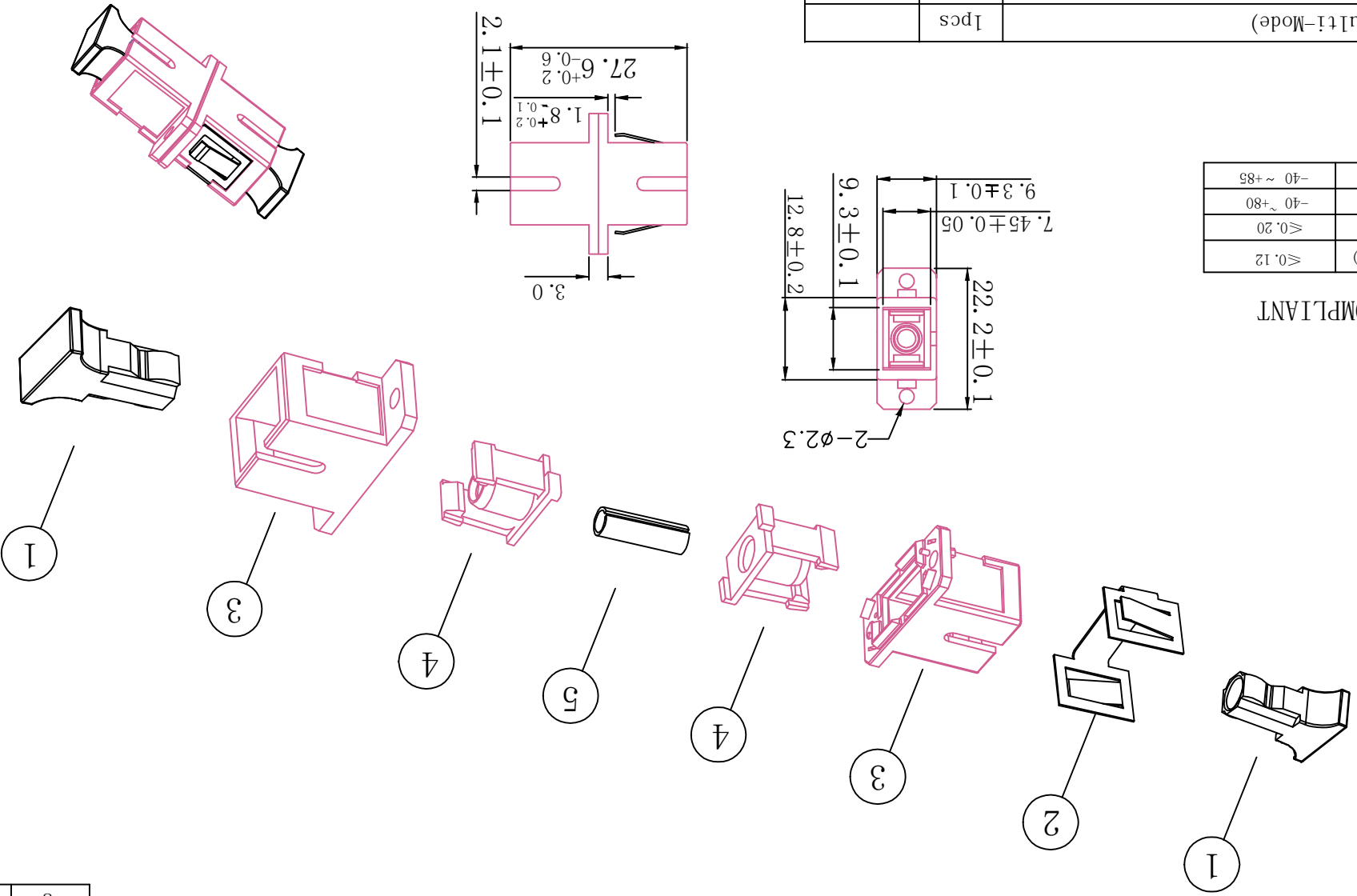
BY	CHK	REVISION RECORD MODIFICATIONS		DATE	REV.	DRAWNBY	CHECKBY	APPROBY	DATE
		NEW		2016.08.25	A				
NO.		SPECIFICATION STANDARD		QT'Y	REMARK	PRODUCT NAME: SC MM Erika violett (ceramic) Simplex plastic Adapter			
⑤		SC Sleeve ceramic (Multi-Mode)		1pcs		ITEM NO. 2Direct GmbH ITEM NO.			
④		SC Erika violett Bush		2pcs		UNIT MM			
③		SC Simplex Erika violett Body with flange		2pcs					
②		SC Metal Mount		1pcs					
①		SC Black Dust Cap		2pcs					

MATERIAL LIST:

Insertion Loss (typical) (dB)	≤0.12
Insertion Loss (dB)	≤0.20
Operating Temperature (°C)	-40 ~ +80
Storage Temperature (°C)	-40 ~ +85

NOTE:
RoHS 2.0 & Reach COMPLIANT

⑤	SC Sleeve ceramic (Multi-Mode)	1pcs	
④	SC Erika violett Bush	2pcs	
③	SC Simplex Erika violett Body with flange	2pcs	
②	SC Metal Mount	1pcs	
①	SC Black Dust Cap	2pcs	



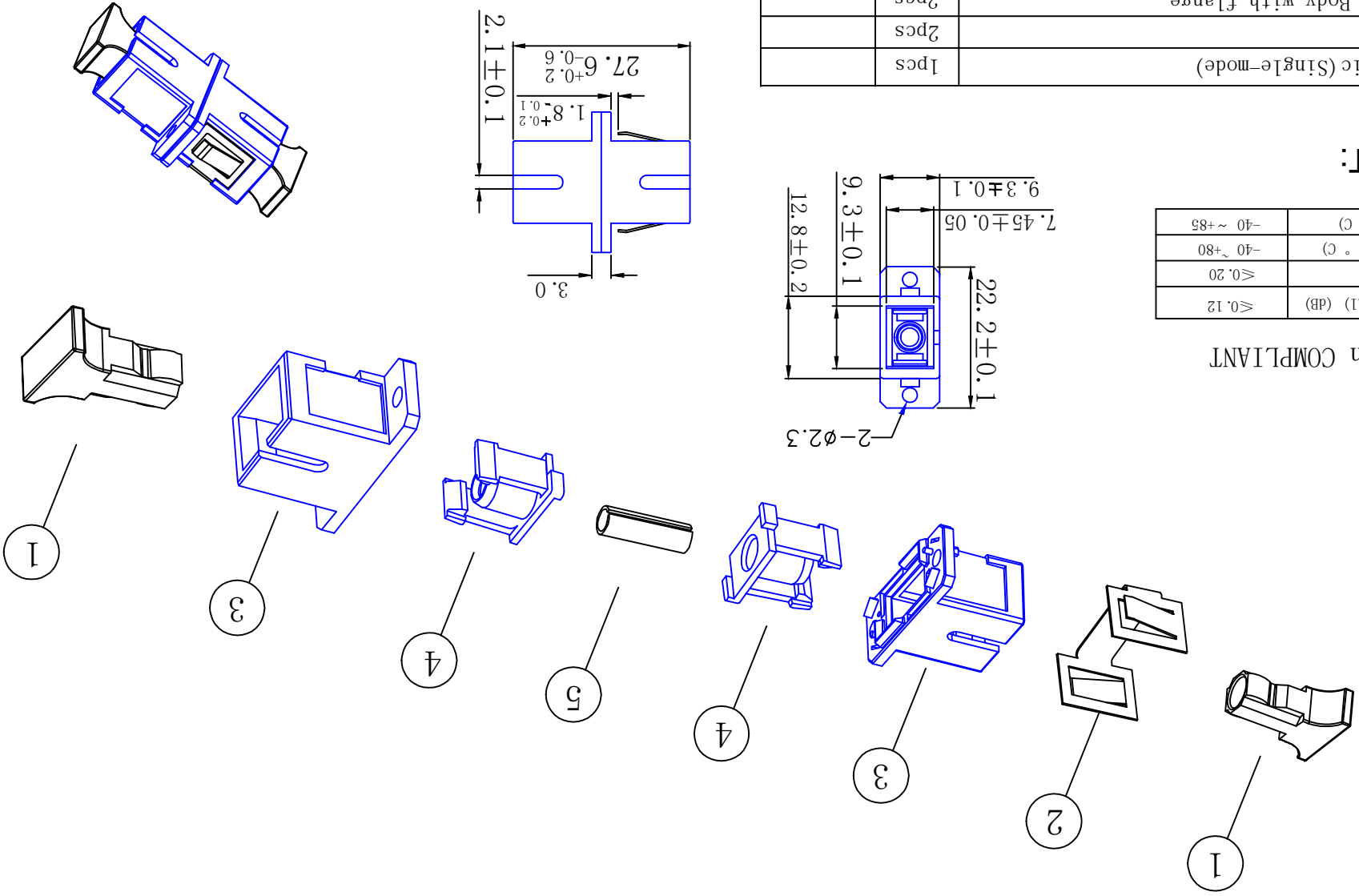
BY	CHK	REVISION RECORD MODIFICATIONS		DATE	REV.	DRAWNBY	CHECKBY	APPROBY	DATE
		NEW		2016-0-2	A				2016-0-2
ITEM NO.		SPECIFICATION STANDARD		QTY		REMARK			

⑤	SC Sleeve Ceramic (Single-mode)	1pcs	
④	SC Blue Bush	2pcs	
③	SC Simplex Blue Body with flange	2pcs	
②	SC Metal Mount	1pcs	
①	SC Black Dust Cap	2pcs	

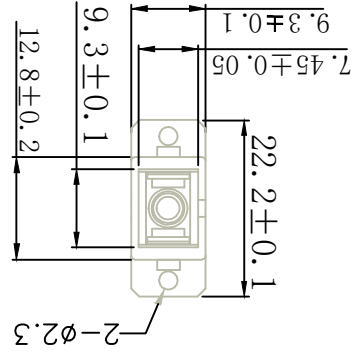
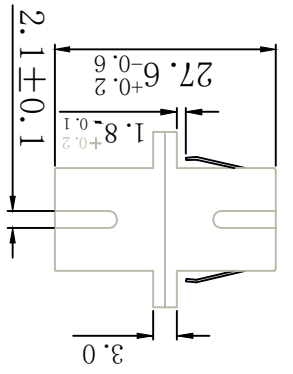
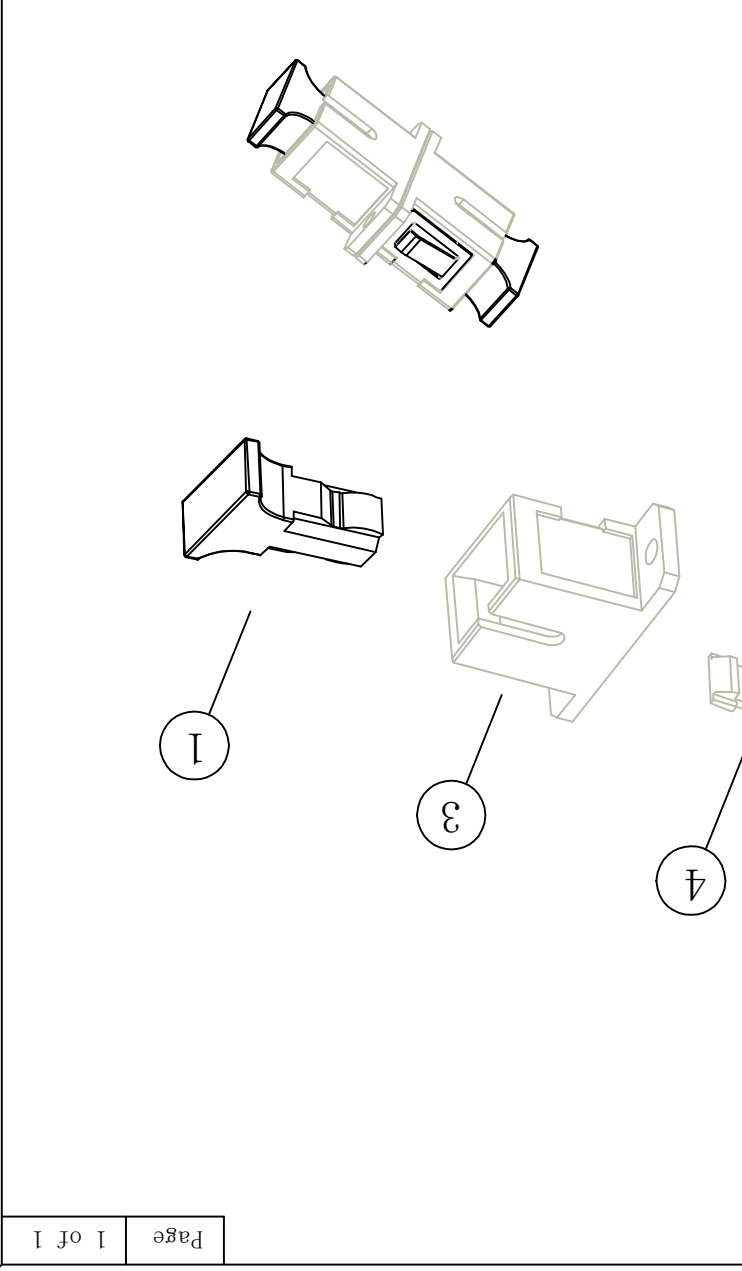
MATERIAL LIST:

Insertion Loss (typical) (dB)	≤0.12
Insertion Loss (dB)	≤0.20
Operating Temperature (°C)	-40 ~ +80
Storage Temperature (°C)	-40 ~ +85

NOTE:
RoHS 2.0 & Reach COMPLIANT



ITEM NO.	2Direct GmbH
UNIT	MM



NO.	SPECIFICATION STANDARD	QTY	REMARK
①	SC Sleeve ceramic (Multi-Mode)	1pcs	
②	SC Beige Bush	2pcs	
③	SC Simplex Beige Body with flange	2pcs	
④	SC Metal Mount	1pcs	
⑤	SC Black Dust Cap	2pcs	

MATERIAL LIST:

Insertion Loss (typical) (dB)	≤0.12
Insertion Loss (dB)	≤0.20
Operating Temperature (°C)	-40 ~ +80
Storage Temperature (°C)	-40 ~ +85

NOTE:
RoHS 2.0 & Reach COMPLIANT

BY	CHK	REVISION RECORD MODIFICATIONS	DATE	REV.	DRAWNBY	CHECKBY	APPROBY	2016-0-2
		NEW	2016-0-2	A				
PRODUCT NAME		SC MM Aqua (ceramic) Simplex plastic Adapter	ITEM NO.	1	UNIT	MM		

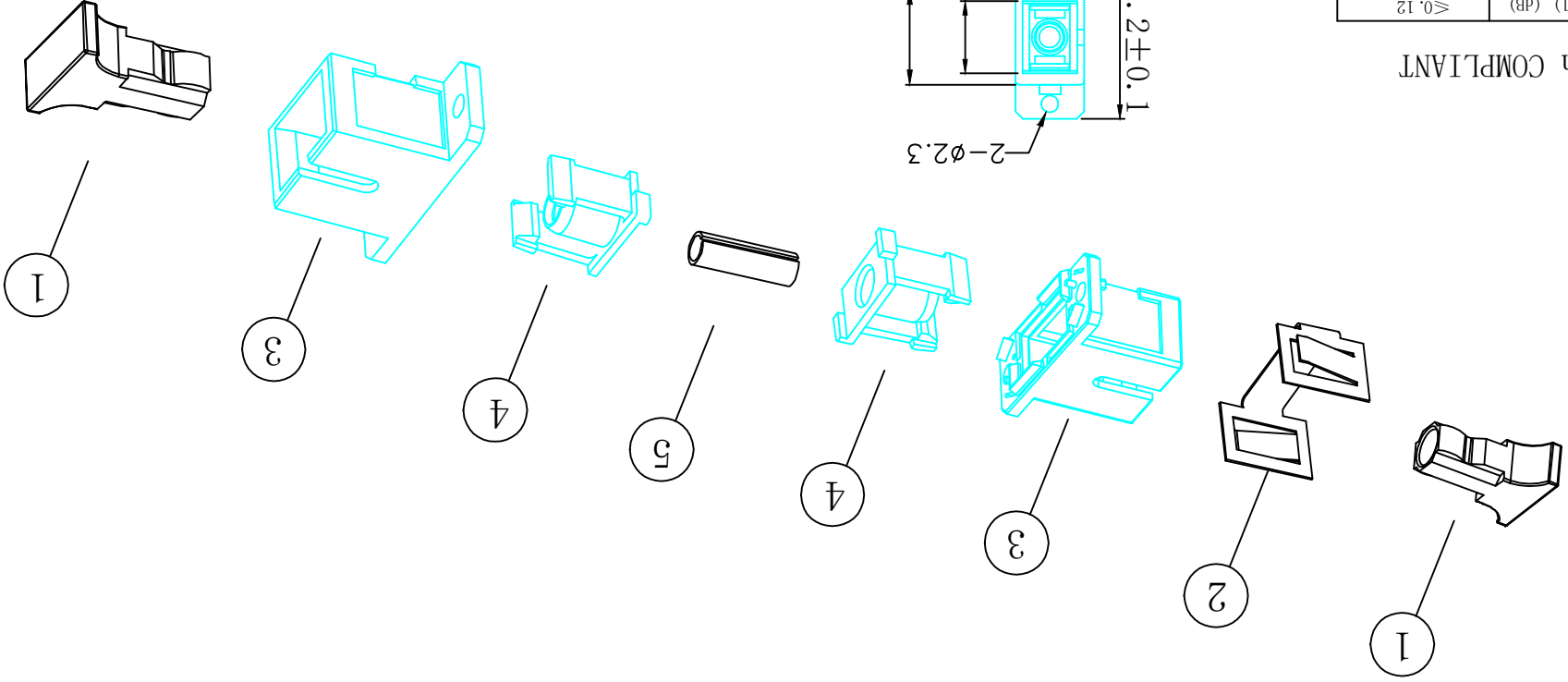
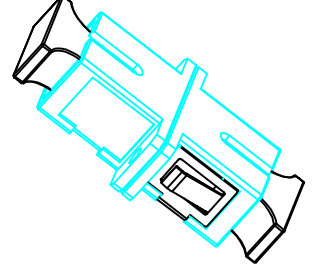
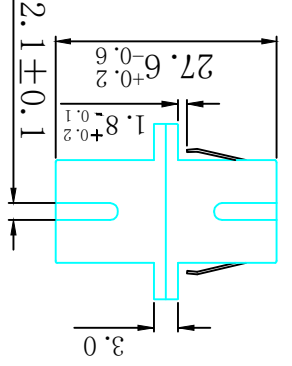
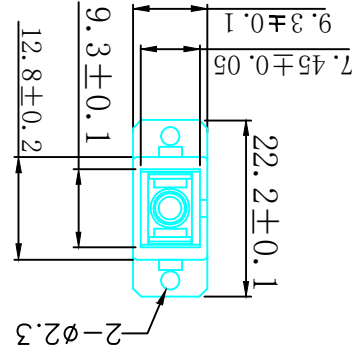
NO.	SPECIFICATION STANDARD	QTY	REMARK
①	SC Black Dust Cap	2pcs	
②	SC Metal Mount	1pcs	
③	SC Simplex Aqua Body with flange	2pcs	
④	SC Aqua Bush	2pcs	
⑤	SC Sleeve ceramic (Multi-Mode)	1pcs	

MATERIAL LIST:

Insertion Loss (typical) (dB)	≤0.12
Insertion Loss (dB)	≤0.20
Operating Temperature (°C)	-40 ~ +80
Storage Temperature (°C)	-40 ~ +85

NOTE: RoHS 2.0 & Reach COMPLIANT

①	SC Black Dust Cap	2pcs	
②	SC Metal Mount	1pcs	
③	SC Simplex Aqua Body with flange	2pcs	
④	SC Aqua Bush	2pcs	
⑤	SC Sleeve ceramic (Multi-Mode)	1pcs	



LogiLink Professional F12SS2/3/4

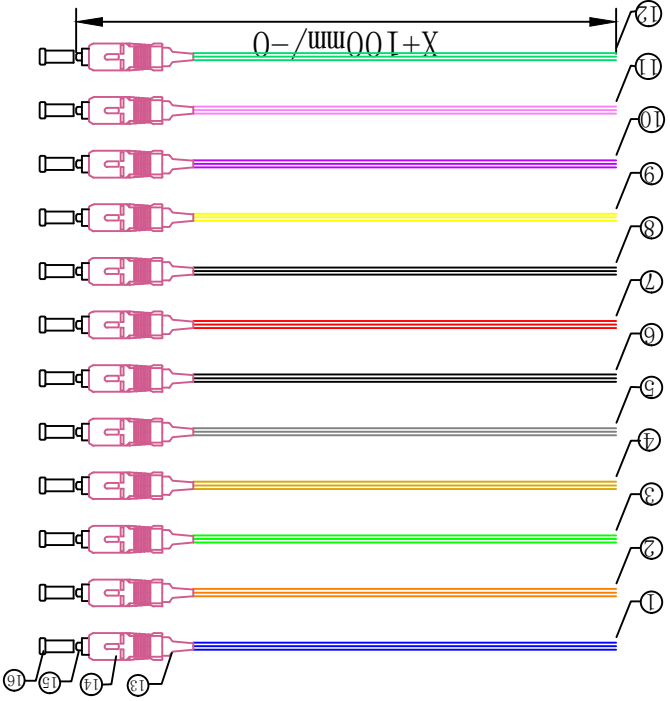
NOTE:
The primary coating and secondary coating
have the same color
RoHS 2.0 Compliant

NO	SPECIFICATION STANDARD		QTY	REMARK
①	Fiber Cable	LOSE TUBE MM OM4 50/125 0.9mm BLUE LSZH	Xm	
②	Fiber Cable	LOSE TUBE MM OM4 50/125 0.9mm ORANGE LSZH	Xm	
③	Fiber Cable	LOSE TUBE MM OM4 50/125 0.9mm GREEN LSZH	Xm	
④	Fiber Cable	LOSE TUBE MM OM4 50/125 0.9mm BROWN LSZH	Xm	
⑤	Fiber Cable	LOSE TUBE MM OM4 50/125 0.9mm GREY LSZH	Xm	
⑥	Fiber Cable	LOSE TUBE MM OM4 50/125 0.9mm WHITE LSZH	Xm	
⑦	Fiber Cable	LOSE TUBE MM OM4 50/125 0.9mm RED LSZH	Xm	
⑧	Fiber Cable	LOSE TUBE MM OM4 50/125 0.9mm BLACK LSZH	Xm	
⑨	Fiber Cable	LOSE TUBE MM OM4 50/125 0.9mm YELLOW LSZH	Xm	
⑩	Fiber Cable	LOSE TUBE MM OM4 50/125 0.9mm VIOLET LSZH	Xm	
⑪	Fiber Cable	LOSE TUBE MM OM4 50/125 0.9mm PINK LSZH	Xm	
⑫	Fiber Cable	LOSE TUBE MM OM4 50/125 0.9mm TURQUOISE LSZH	Xm	
⑬	SC 0.9 Erika	violet Boot	12	
⑭	SC MM 0.9 Erika	violet Connector	12	
⑮	SC/UPC MM Ferrule	126-128um	12	
⑯	SC Transparent	Dust Cap	12	

BY	CHK	REVISION RECORD MODIFICATIONS	DATE	REV.	DRAWNBY	CHECKBY	APPOBY	DATE	2016.08.25
		NEW	2016.08.25	A					
					PRODUCT	12 different colors	ITEM NO.	UNIT	MM

2Direct Gmbh	ITEM NO.
--------------	----------

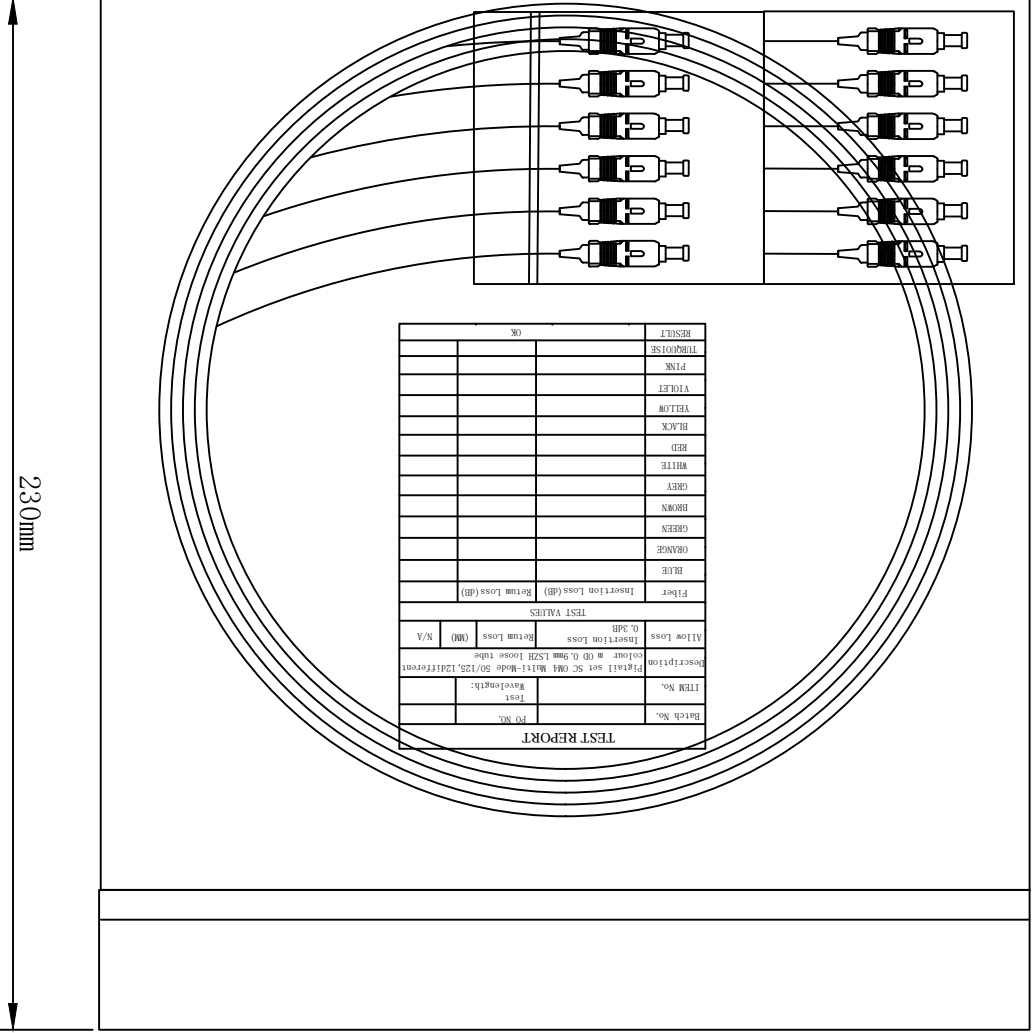
Type	Multi-Mode
Insertion Loss	<=0.3dB
Return Loss	NA
Test Wavelength	850nm



BY	CHK	REVISION RECORD MODIFICATIONS	DATE	REV.	DRAWNBY	CHECKBY	APPROBY	DATE
		NEW	2016.08.25	A				2016.08.25
					PRODUCT NAME	12 different colours	ITEM NO. 1	UNIT MM

2Direct GmbH	ITEM NO.
--------------	----------

TEST REPORT			
Batch No.	PO NO.	Test	Wavelength:
ITEM No.			
Description	Pigtail set SC OM4 Multi-Mode 50/125, 12different colour xm OD 0.9mm LSZH loose tube		
Allow Loss	Insertion Loss	Return Loss	(MM)
	0.3dB		N/A
TEST VALUES			
Fiber	Insertion Loss (dB)	Return Loss (dB)	
BLUE			
ORANGE			
GREEN			
BROWN			
GREY			
WHITE			
RED			
BLACK			
YELLOW			
VIOLET			
PINK			
TURQUOISE			
RESULT	OK		

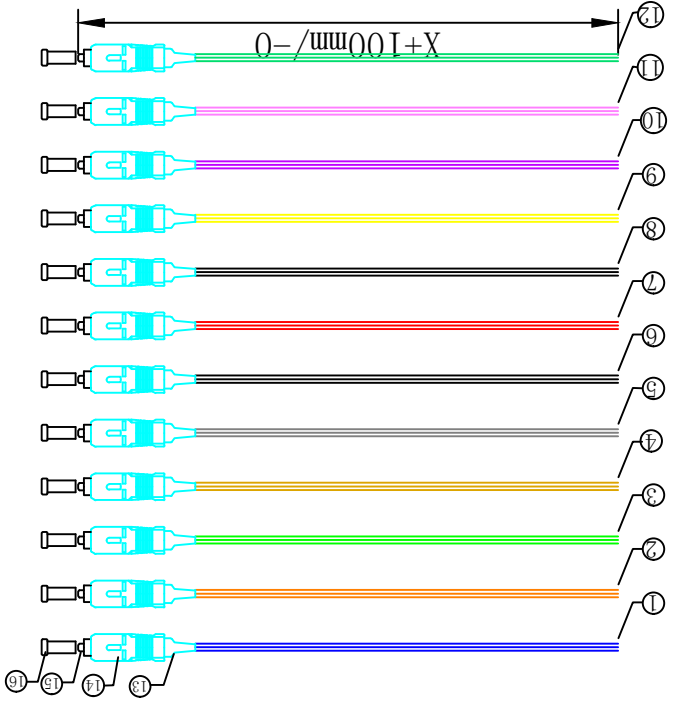


230mm

230mm

NOTE:
The primary coating and secondary coating
have the same color
ROHS 2.0 Compliant

NO	SPECIFICATION STANDARD	QTY	REMARK
①	Fiber Cable LOOSE TUBE MM OM3 50/125 0.9mm BLUE LSZH	Xm	
②	Fiber Cable LOOSE TUBE MM OM3 50/125 0.9mm ORANGE LSZH	Xm	
③	Fiber Cable LOOSE TUBE MM OM3 50/125 0.9mm GREEN LSZH	Xm	
④	Fiber Cable LOOSE TUBE MM OM3 50/125 0.9mm BROWN LSZH	Xm	
⑤	Fiber Cable LOOSE TUBE MM OM3 50/125 0.9mm GREY LSZH	Xm	
⑥	Fiber Cable LOOSE TUBE MM OM3 50/125 0.9mm WHITE LSZH	Xm	
⑦	Fiber Cable LOOSE TUBE MM OM3 50/125 0.9mm RED LSZH	Xm	
⑧	Fiber Cable LOOSE TUBE MM OM3 50/125 0.9mm BLACK LSZH	Xm	
⑨	Fiber Cable LOOSE TUBE MM OM3 50/125 0.9mm YELLOW LSZH	Xm	
⑩	Fiber Cable LOOSE TUBE MM OM3 50/125 0.9mm VIOLET LSZH	Xm	
⑪	Fiber Cable LOOSE TUBE MM OM3 50/125 0.9mm PINK LSZH	Xm	
⑫	Fiber Cable LOOSE TUBE MM OM3 50/125 0.9mm TURQUOISE LSZH	Xm	
⑬	SC 0.9 Aqua Boot	12	
⑭	SC MM 0.9 Aqua Connector	12	
⑮	SC/UPC MM Ferrule 126-128um	12	
⑯	SC Transparent Dust Cap	12	



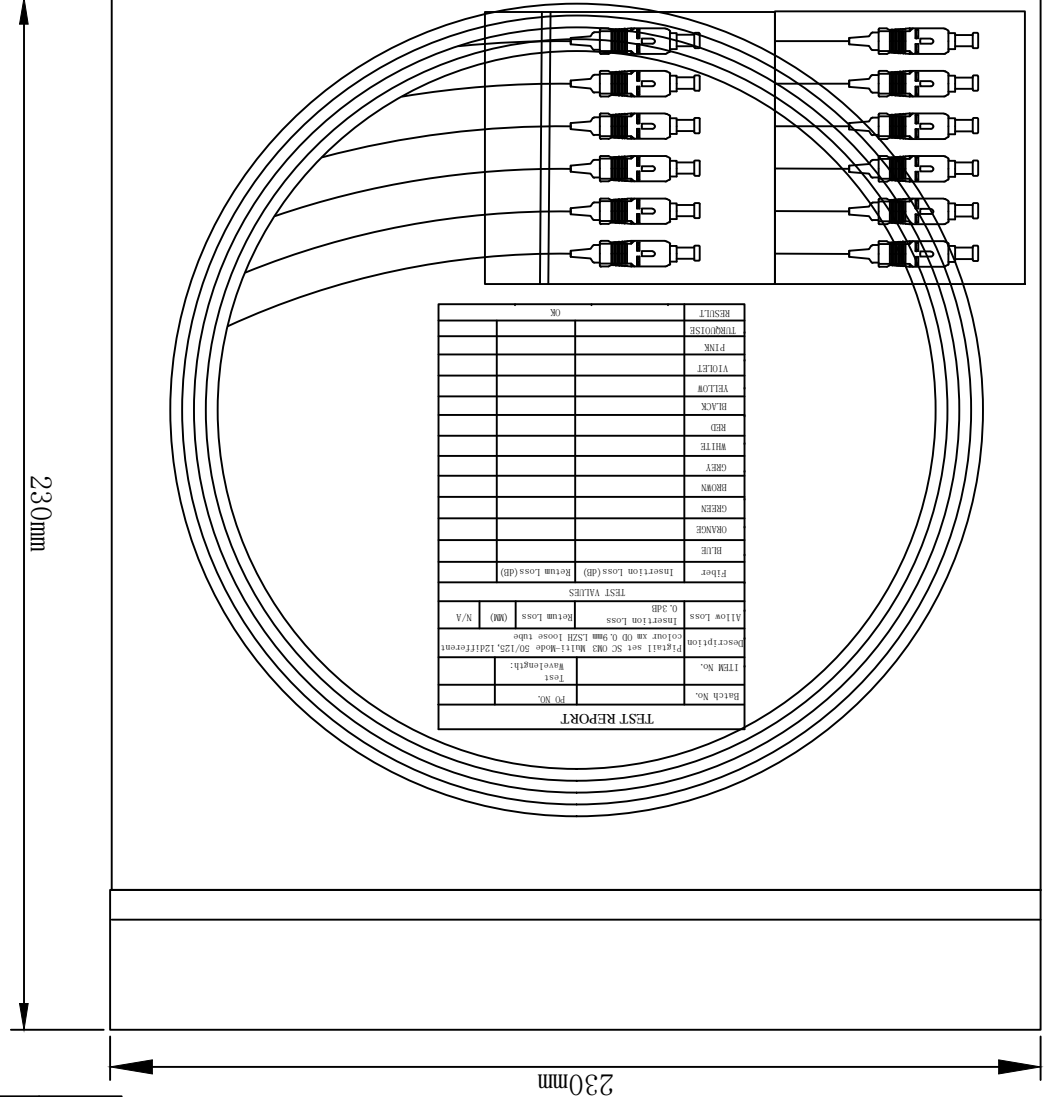
Type	Insertion Loss	Return Loss	Test Wavelength
Multi-Mode	<=0.3dB	NA	850nm

BY	CHK	REVISION RECORD MODIFICATIONS	DATE	REV.	DRAWNBY	CHECKBY	APPROBY	DATE
		NEW	2016.08.25	A				2016.08.25
					PRODUCT	Plataiset SC/UPC OM3	ITEM NO.	
					NAME	50/125um 12 different colors	UNIT	MM

BY	CHK	REVISION RECORD MODIFICATIONS	DATE	REV.	DRAWNBY	CHECKBY	APPROBY	DATE
		NEW	2016.08.25	A				2016.08.25
					PRODUCT	NAME	ITEM NO.	UNIT
					Pigtail set SC/PC OM3	50/125 µm 12 different colours	1	MM

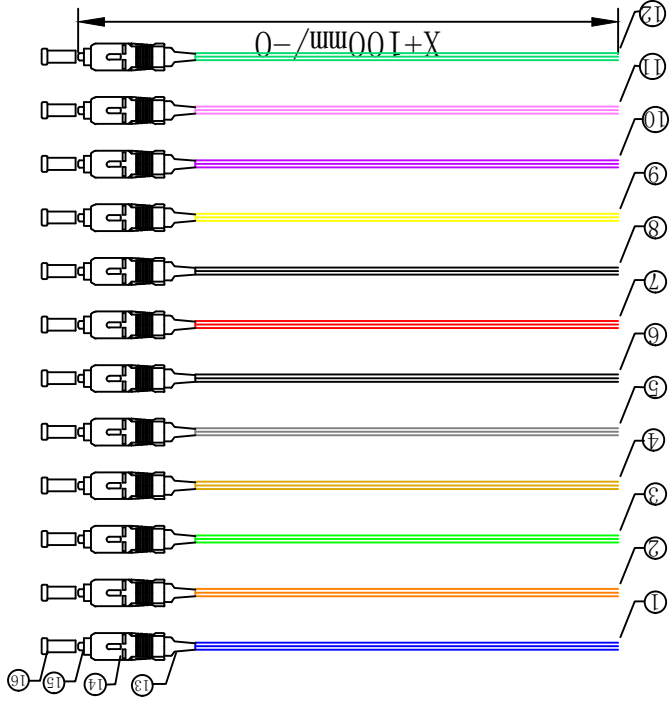
	2Direct Gmbh	ITEM NO.

TEST REPORT			
Batch No.	PO NO.	Test	Wavelength:
ITEM No.			
Description	Pigtail set SC OM3 Multi-Mode 50/125, 12different colour xm OD 0.9mm LSZH loose tube		
Allow Loss	Insertion Loss	Return Loss	(MM) N/A
	0.3dB		
TEST VALUES			
Fiber	Insertion Loss (dB)	Return Loss (dB)	
BLUE			
ORANGE			
GREEN			
BROWN			
GREY			
WHITE			
RED			
BLACK			
YELLOW			
VIOLET			
PINK			
TURQUOISE			
RESULT	OK		



NOTE:
The primary coating and secondary coating
have the same color
ROHS 2.0 Compliant

NO	SPECIFICATION STANDARD	QTY	REMARK
①	Fiber Cable LOOSE TUBE MM OM2 50/125 0.9mm BLUE LSZH	Xm	
②	Fiber Cable LOOSE TUBE MM OM2 50/125 0.9mm ORANGE LSZH	Xm	
③	Fiber Cable LOOSE TUBE MM OM2 50/125 0.9mm GREEN LSZH	Xm	
④	Fiber Cable LOOSE TUBE MM OM2 50/125 0.9mm BROWN LSZH	Xm	
⑤	Fiber Cable LOOSE TUBE MM OM2 50/125 0.9mm GREY LSZH	Xm	
⑥	Fiber Cable LOOSE TUBE MM OM2 50/125 0.9mm WHITE LSZH	Xm	
⑦	Fiber Cable LOOSE TUBE MM OM2 50/125 0.9mm RED LSZH	Xm	
⑧	Fiber Cable LOOSE TUBE MM OM2 50/125 0.9mm BLACK LSZH	Xm	
⑨	Fiber Cable LOOSE TUBE MM OM2 50/125 0.9mm YELLOW LSZH	Xm	
⑩	Fiber Cable LOOSE TUBE MM OM2 50/125 0.9mm VIOLET LSZH	Xm	
⑪	Fiber Cable LOOSE TUBE MM OM2 50/125 0.9mm PINK LSZH	Xm	
⑫	Fiber Cable LOOSE TUBE MM OM2 50/125 0.9mm TURQUOISE LSZH	Xm	
⑬	SC 0.9 Beige Boot	12	
⑭	SC MM 0.9 Beige Connector	12	
⑮	SC/UPC MM Ferrule 126-128um	12	
⑯	SC Transparent Dust Cap	12	



Type	Insertion Loss	Return Loss	Test Wavelength
Multi-Mode	$<=0.3\text{dB}$	NA	850nm

BY	CHK	REVISION RECORD MODIFICATIONS	DATE	REV.	DRAWNBY	CHECKBY	APPROBY	DATE
		NEW	2016.08.25	A				2016.08.25

ITEM NO.	2Direct Gmbh	ITEM NO.

PRODUCT NAME	12 different colors
SC/UPC OM2 50/125 μm	

UNIT	MM

DATE

REV.

DATE

DATE

DATE

DATE

DATE

DATE

DATE

DATE

DATE

DATE

DATE

DATE

DATE

DATE

DATE

DATE

DATE

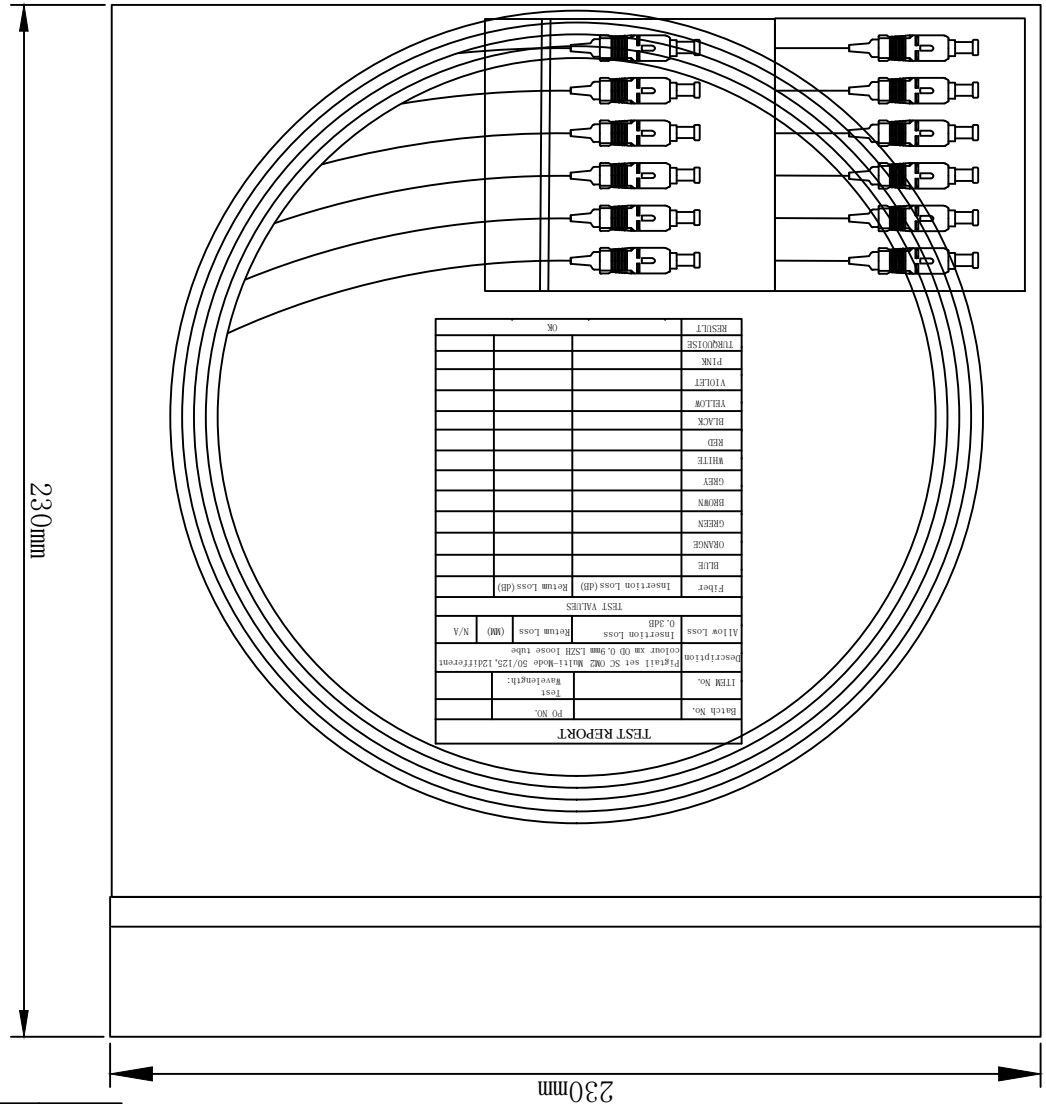
DATE

DATE

DATE

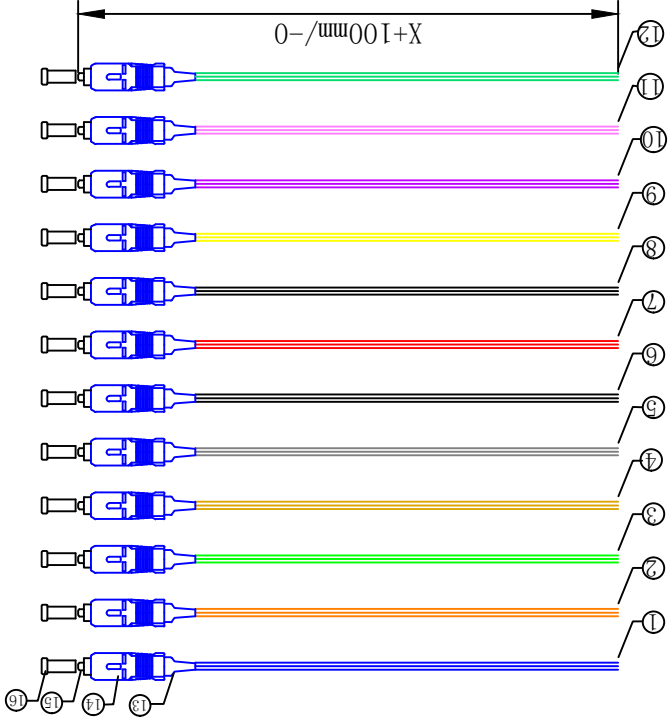
BY	CHK	REVISION RECORD MODIFICATIONS	DATE	REV.					
		NEW	2016.08.25	A	DRAWNBY	CHECKBY	APPROBY	DATE	2016.08.25
					PRODUCT	Figtail set SC/UPC OM2 50/125 μm	ITEM NO.	UNIT	MM
					NAME	12 different colours	ITEM NO.		
						2Direct GmbH	ITEM NO.		

TEST REPORT			
Batch No.	PO NO.	Test	Wavelength:
ITEM No.			
Description Figtail set SC OM2 Multi-Mode 50/125, 12different colour xm OD 0.9mm LSZH loose tube			
Allow Loss	Insertion Loss	Return Loss	(MM) N/A
	0.3dB		
TEST VALUES			
Fiber	Insertion Loss (dB)	Return Loss (dB)	
BLUE			
ORANGE			
GREEN			
BROWN			
GREY			
WHITE			
RED			
BLACK			
YELLOW			
VIOLET			
PINK			
TURQUOISE			
RESULT	OK		



NOTE:
The primary coating and secondary coating
have the same color
ROHS 2.0 Compliant

NO	SPECIFICATION STANDARD		QT'Y	REMARK
①	Fiber Cable LOOSE TUBE SM 9/125 0.9mm BLUE LSZH	Xm		
②	Fiber Cable LOOSE TUBESM 9/125 0.9mm ORANGE LSZH	Xm		
③	Fiber Cable LOOSE TUBE SM 9/125 0.9mm GREEN LSZH	Xm		
④	Fiber Cable LOOSE TUBE SM 9/125 0.9mm BROWN LSZH	Xm		
⑤	Fiber Cable LOOSE TUBE SM 9/125 0.9mm GREY LSZH	Xm		
⑥	Fiber Cable LOOSE TUBE SM 9/125/125 0.9mm WHITE LSZH	Xm		
⑦	Fiber Cable LOOSE TUBE SM 9/125 0.9mm RED LSZH	Xm		
⑧	Fiber Cable LOOSE TUBE SM 9/125 0.9mm BLACK LSZH	Xm		
⑨	Fiber Cable LOOSE TUBE SM 9/125 0.9mm YELLOW LSZH	Xm		
⑩	Fiber Cable LOOSE TUBE SM 9/125 0.9mm VIOLET LSZH	Xm		
⑪	Fiber Cable LOOSE TUBE SM 9/125 0.9mm PINK LSZH	Xm		
⑫	Fiber Cable LOOSE TUBE SM 9/125 0.9mm TURQUOISE LSZH	Xm		
⑬	SC 0.9 Blue Boot	12		
⑭	SC SM 0.9 Blue Connector	12		
⑮	SC/UPC SM Ferrule 125-126um	12		
⑯	SC Transparent Dust Cap	12		



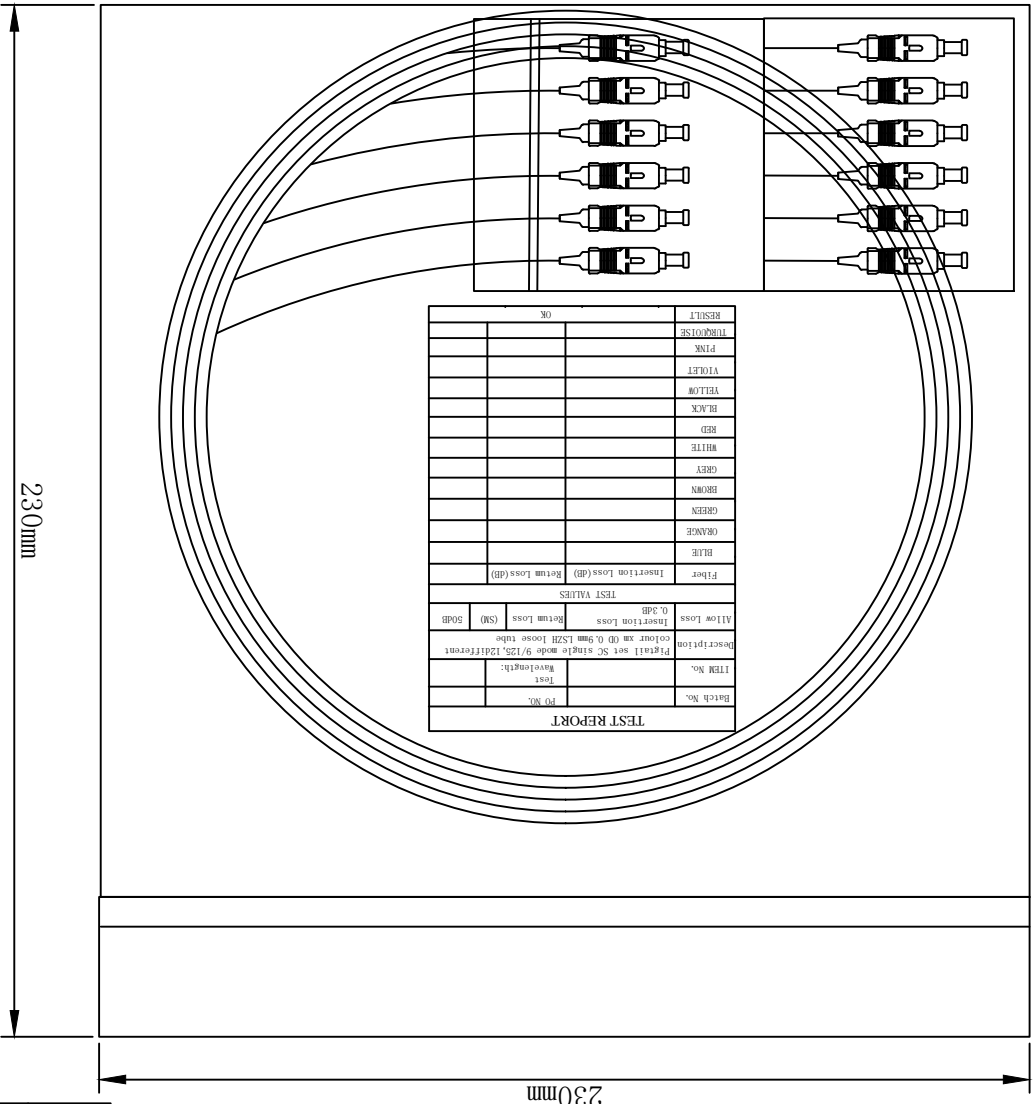
Type	Single-Mode
Insertion Loss	<=0.3dB
Return Loss	>=50dB
Test Wavelength	1310nm

BY	CHK	REVISION RECORD MODIFICATIONS	DATE	REV.	DRAWNBY	CHECKBY	APPROBY	DATE
		NEW	2016.08.25	A				2016.08.25

ITEM NO.	2Direct Gmbh	ITEM NO.	
PRODUCT	Pigtailsset SC/UPC 9/125 μm	NAME	12 different colors
UNIT	MM		

BY	CHK	REVISION RECORD MODIFICATIONS	DATE	REV.					
		NEW	2016.08.25	A	DRAWNBY	CHECKBY	APPOBY	DATE	2016.08.25
					PRODUCT	Pigtail set SC single mode 9/125 µm 12 different colors		ITEM NO.	
						2Direct GmbH	ITEM NO.		

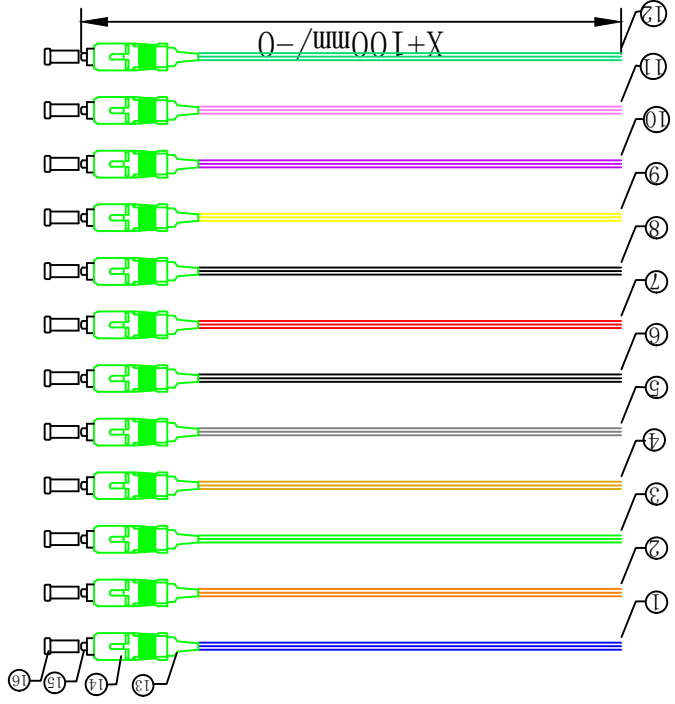
TEST REPORT			
Batch No.	PO NO.		
ITEM No.	Test	Wavelength:	
Description	Pigtail set SC single mode 9/125, 12different colour xm OD 0.9mm LSZH loose tube		
Allow Loss	Insertion Loss	Return Loss (SM)	50dB
TEST VALUES			
Fiber	Insertion Loss (dB)	Return Loss (dB)	
BLUE			
ORANGE			
GREEN			
BROWN			
GREY			
WHITE			
RED			
BLACK			
YELLOW			
VIOLET			
PINK			
TURQUOISE			
RESULT	OK		



TEST REPORT			
Batch No.	PO NO.		
ITEM No.	Test	Wavelength:	
Description	Pigtail set SC single mode 9/125, 12different colour xm OD 0.9mm LSZH loose tube		
Allow Loss	Insertion Loss	Return Loss (SM)	50dB
TEST VALUES			
Fiber	Insertion Loss (dB)	Return Loss (dB)	
BLUE			
ORANGE			
GREEN			
BROWN			
GREY			
WHITE			
RED			
BLACK			
YELLOW			
VIOLET			
PINK			
TURQUOISE			
RESULT	OK		

NOTE:
The primary coating and secondary coating
have the same color
ROHS 2.0 Compliant

NO	SPECIFICATION STANDARD		QTY	REMARK
①	Fiber Cable LOOSE TUBE SM 9/125 0.9mm BLUE LSZH	Xm		
②	Fiber Cable LOOSE TUBESM 9/125 0.9mm ORANGE LSZH	Xm		
③	Fiber Cable LOOSE TUBE SM 9/125 0.9mm GREEN LSZH	Xm		
④	Fiber Cable LOOSE TUBE SM 9/125 0.9mm BROWN LSZH	Xm		
⑤	Fiber Cable LOOSE TUBE SM 9/125 0.9mm GREY LSZH	Xm		
⑥	Fiber Cable LOOSE TUBE SM 9/125/125 0.9mm WHITE LSZH	Xm		
⑦	Fiber Cable LOOSE TUBE SM 9/125 0.9mm RED LSZH	Xm		
⑧	Fiber Cable LOOSE TUBE SM 9/125 0.9mm BLACK LSZH	Xm		
⑨	Fiber Cable LOOSE TUBE SM 9/125 0.9mm YELLOW LSZH	Xm		
⑩	Fiber Cable LOOSE TUBE SM 9/125 0.9mm VIOLET LSZH	Xm		
⑪	Fiber Cable LOOSE TUBE SM 9/125 0.9mm PINK LSZH	Xm		
⑫	Fiber Cable LOOSE TUBE SM 9/125 0.9mm TURQUOISE LSZH	Xm		
⑬	SC 0.9 Green Boot	12		
⑭	SC APC 0.9 Green Connector	12		
⑮	SC/APC 8° SM Ferrule 125-126um	12		
⑯	SC Transparent Dust Cap	12		



Type	Single-Mode
Insertion Loss	$<=0.3\text{dB}$
Return Loss	$>=60\text{dB}$
Test Wavelength	1310nm

BY	CHK	REVISION RECORD MODIFICATIONS	DATE	REV.	DRAWNBY	CHECKBY	APPROBY	DATE
		NEW	2016.08.25	A				2016.08.25

ITEM NO.	2Direct Gmbh
ITEM NO.	

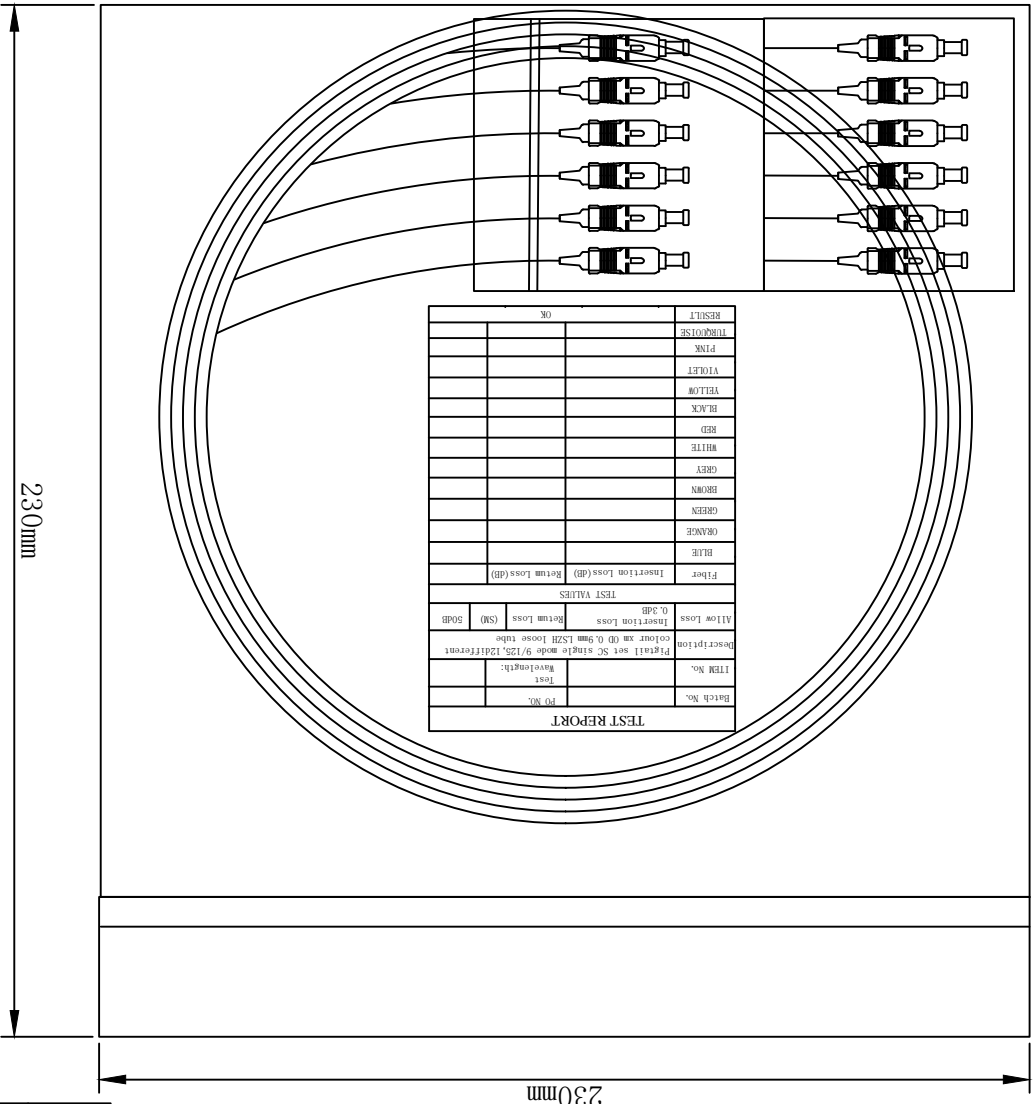
PRODUCT	Pigtaiset SC/APC 9/125 μm
NAME	12 different colors

UNIT	MM
------	----

Page	1 of 2
------	--------

BY	CHK	REVISION RECORD MODIFICATIONS	DATE	REV.	DRAWNBY	CHECKBY	APPOBY	DATE	2016.08.25
		NEW	2016.08.25	A					
					PRODUCT	Pigtail set SC/APC 9/125 μm		ITEM NO.	
					NAME	12 different colors		UNIT	MM
						2Direct Gmbh	ITEM NO.		

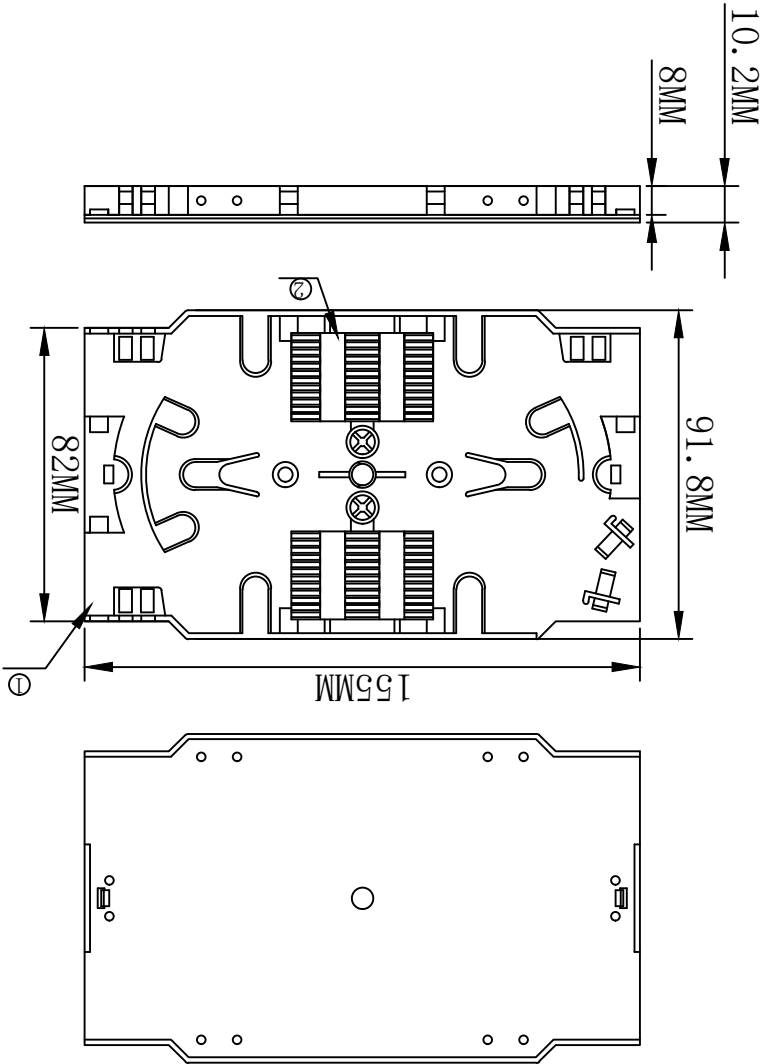
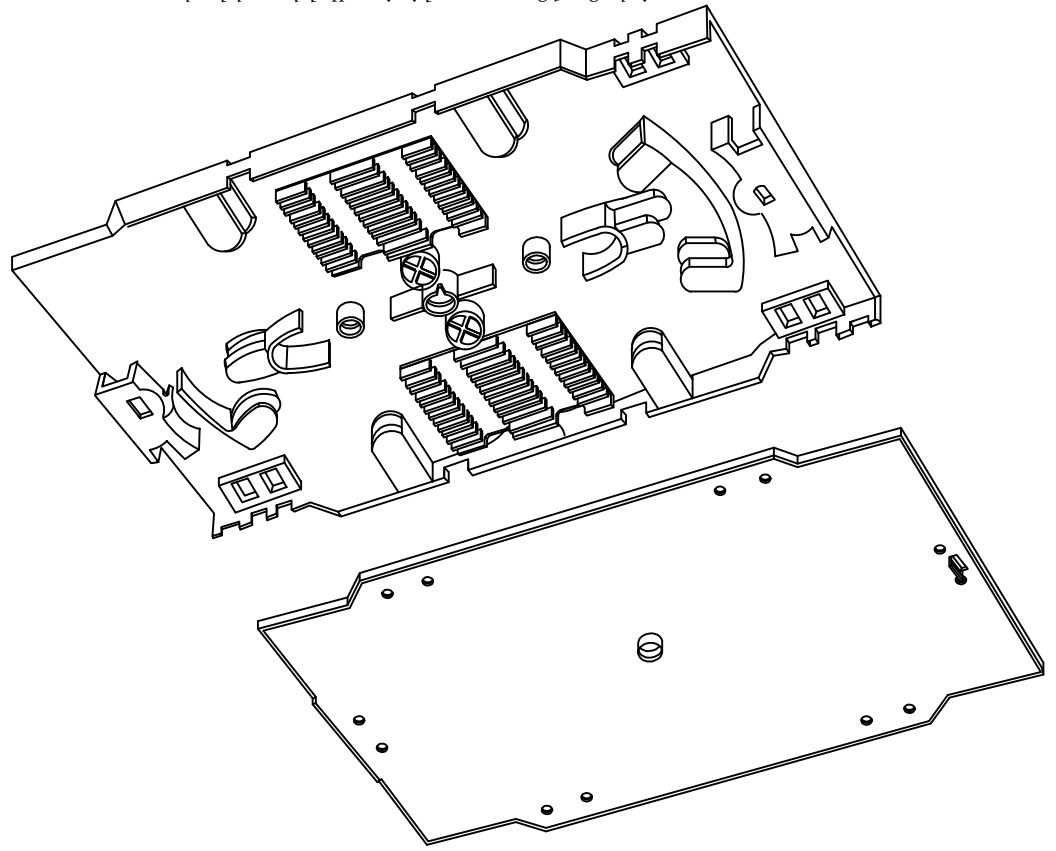
TEST REPORT		Batch No.	PO NO.	Item No.	Test	Wavelength:	Description	Pigtail set SC APC 9/125, 12different colour xm OD 0.9mm LSZH loose tube	Allow Loss	Insertion Loss	Return Loss	(APC)	60dB
TEST VALUES													
Fiber	Insertion Loss (dB)	Return Loss (dB)	OK										
BLUE													
ORANGE													
GREEN													
BROWN													
BROWN													
GREY													
WHITE													
RED													
BLACK													
YELLOW													
VIOLET													
PINK													
TURQUOISE													
RESULT	OK												



BY	CHK	REVISION RECORD MODIFICATIONS	DATE	REV.	DRAWNBY	CHECKBY	APPROBY	DATE
		NEW	2016.08.25	A				2016.08.25
NO.	PARTS NAME	SPECIFICATION DESCRIPTION	QTY	REMARK	PRODUCT NAME	ITEM NO.	UNIT	MM
①	Splic Holder	24 cores splicing tray, ABS/Beige	1		Splicing tray with 2pcs of 12core holders			
②	Splic Holder	ABS/Black	2		2Direct Gmbh			
					ITEM NO.			FB3001

MATERIAL LIST:

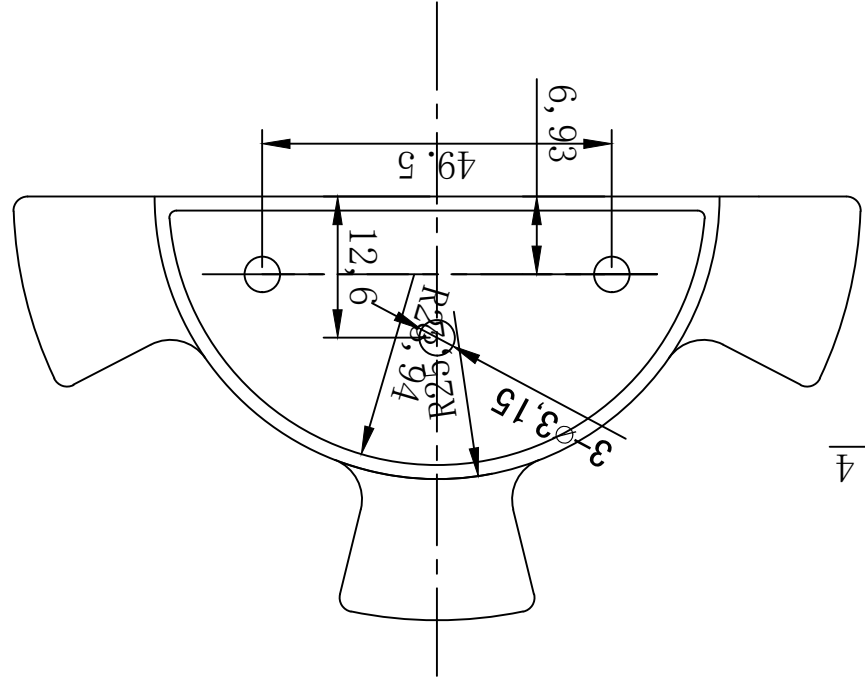
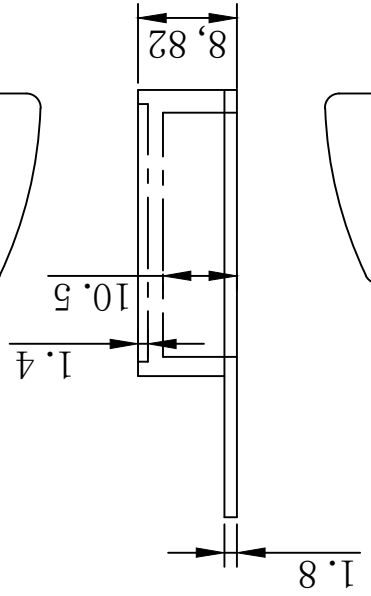
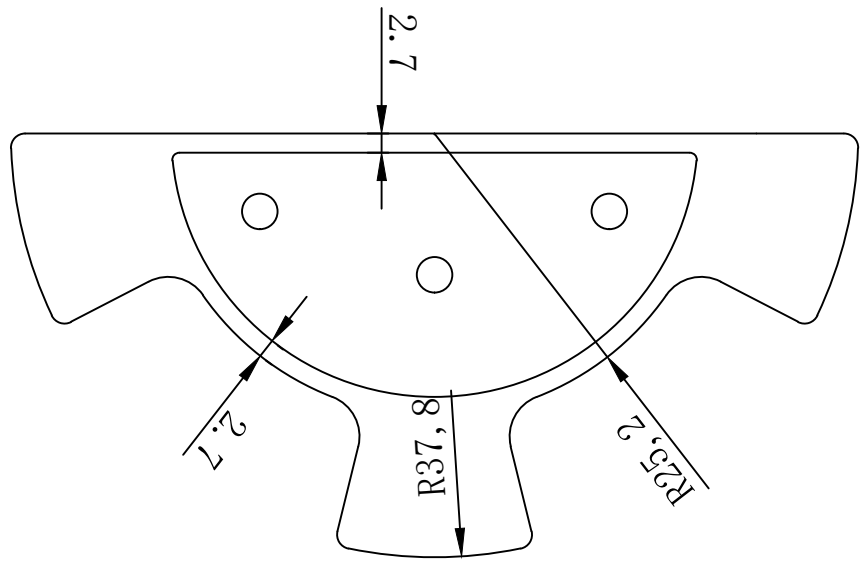
with 2* 12 core splicing Holder , black
 •Material:Plastic (Non fire retardant)
 •Color: beige
 •RoHS 2.0 and Reach Compliant
 Packing:1pcs/PE bag+label 1, 100pcs/inner
 carton+outer carton+label 3



BY	CHK	REVISION RECORD MODIFICATIONS		DATE	REV.	DRAWNBY		CHECKBY	APPOBY	DATE	
		NEW		2016.08.25	A					2016.08.25	
						PRODUCT NAME	Fibre cable management	ITEM NO.		UNIT	MM

LogLink Professional F12SS2/3/4
 2Direct Gmbh
 ITEM NO.

Note:
 1. COLOUR: ABS/GRAY
 2. ROHS2.0 COMPLIANT
 3. Accessory: Screw M3*8, Hex Nut M3*2.4



X-ON Electronics

Largest Supplier of Electrical and Electronic Components

Click to view similar products for [Fibre Optic Connectors](#) category:

Click to view products by [Logilink](#) manufacturer:

Other Similar products are found below :

[F718092216](#) [AX104024](#) [AX100068](#) [AX103256](#) [501048-1](#) [E39R37](#) [181-048-16](#) [60926](#) [98039-003LF](#) [A0407006](#) [60923](#) [60921](#) [906-122-5047](#) [2102321-1](#) [F81ELBNNNSNM003](#) [F81ELBNNNSNM005](#) [F81ELBNNNSNM010](#) [FAP6WWDLCZ](#) [FHMPW-6-ABL](#) [FHMPW-6-BCG](#) [FQMAP65W](#) [FHC39N-08-10A](#) [FHC3XO-08-10A](#) [FHC3XO-08-10B](#) [FHC3ZO-08-10A](#) [FHC3ZO-08-10B](#) [FHC3ZA-08-10A](#) [FHC3ZA-08-10B](#) [FC2WA-12-10AS](#) [FHCXO-20F-10A](#) [FHCXO-24F-10A](#) [FC39N-16-10A](#) [FLCS2/9SOCA9AG](#) [FLCS2/9SOCPXAQ](#) [FLCS2/9SOCU9BU](#) [FSCS2/9SOCA9AG](#) [FSCS2/9SOCPXAQ](#) [FSCS2/9SOCU9BU](#) [FC29N-12-10U](#) [LXCRN1C1CL1N](#) [9446W14S-6S](#) [9442W14S-5S](#) [F780904000](#) [944-1023](#) [1534631-1](#) [181-035-1000](#) [20100014231](#) [F718111220](#) [F718190204](#) [17-300940](#)