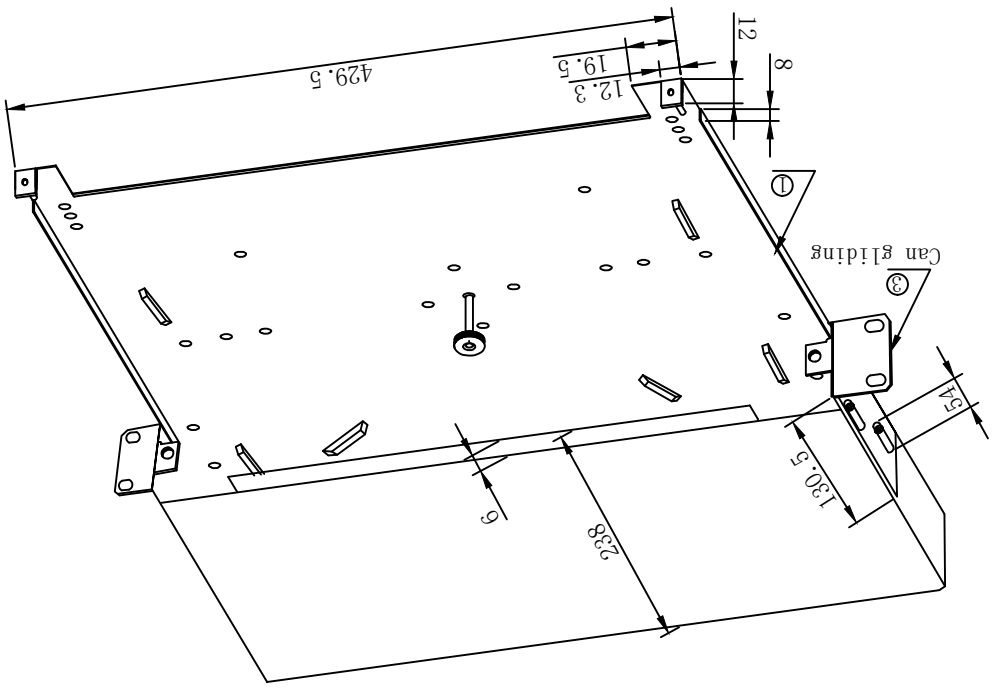
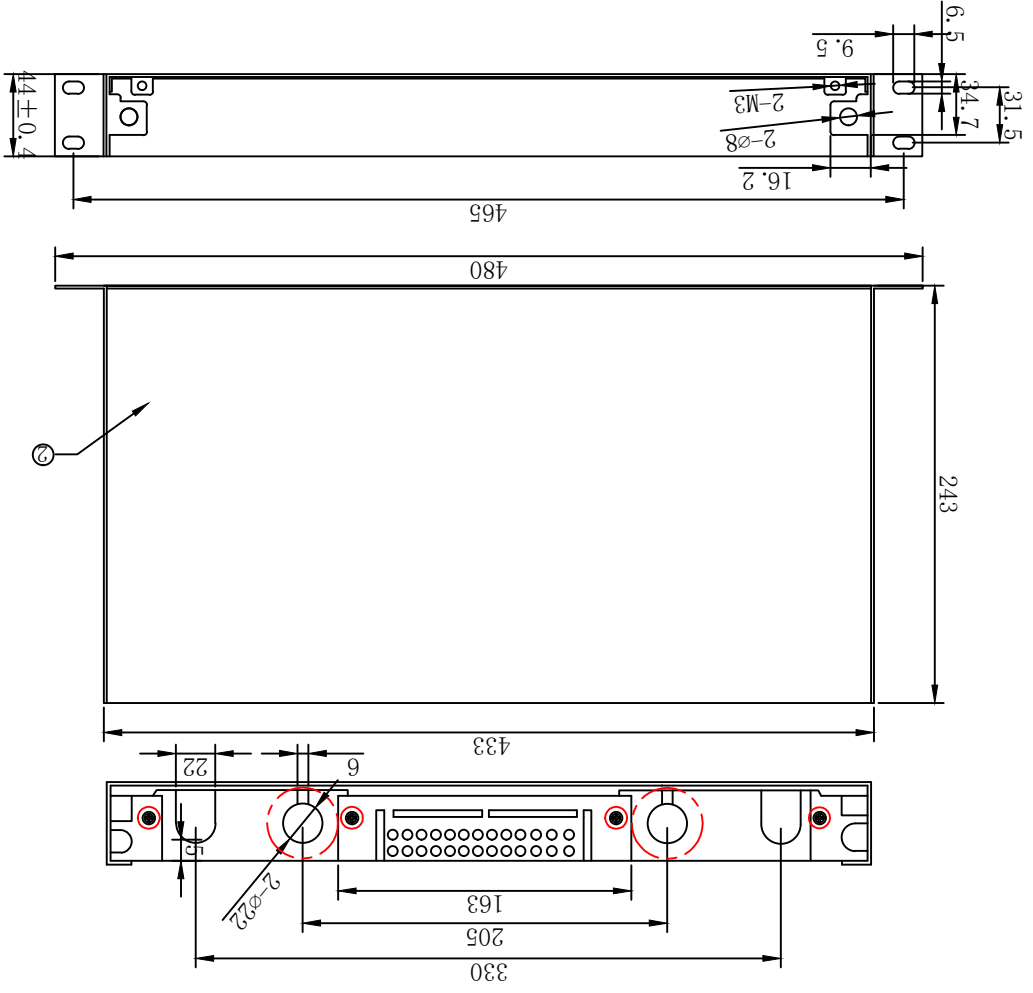


BY	CHK	REVISION RECORD MODIFICATIONS		DATE	REV.	DRAWNBY	CHECKRBY	APPROBY	DATE
		NEW		2016.08.25	A				2016.08.25
NO.	PARTS NAME	SPECIFICATION DESCRIPTION		QTY	REMARK	PRODUCT NAME	ITEM NO.	UNIT	MM
①	Bottom Panel	1.0mm thickness Metallic Panel with plastic powder cladding		1		19" Fiber Optic Patch Panel, 1U" sliding type			
②	Upper Panel Cover	1.0mm thickness Metallic Panel with plastic powder cladding		1					
③	Mounting	1.5mm thickness Metallic Panel with plastic powder cladding		2					
④	Front panel	1.0mm thickness Metallic Panel with plastic powder cladding		1					

MATERIAL LIST:

NOTE:
 ROHS 2.0 COMPLIANT
 19" Fiber Optic Patch Panel, 1U" Sliding Type
 Changeable Front Panel
 Bottom panel 45° degree clipable
 Colour: Black (RAL 9005)
 Accessory: Screw and Nut M6*18mm x 4set
 Cable Glands PG13.5 x 2 pcs
 Cable Tie 2.2*80mm x 6 pcs



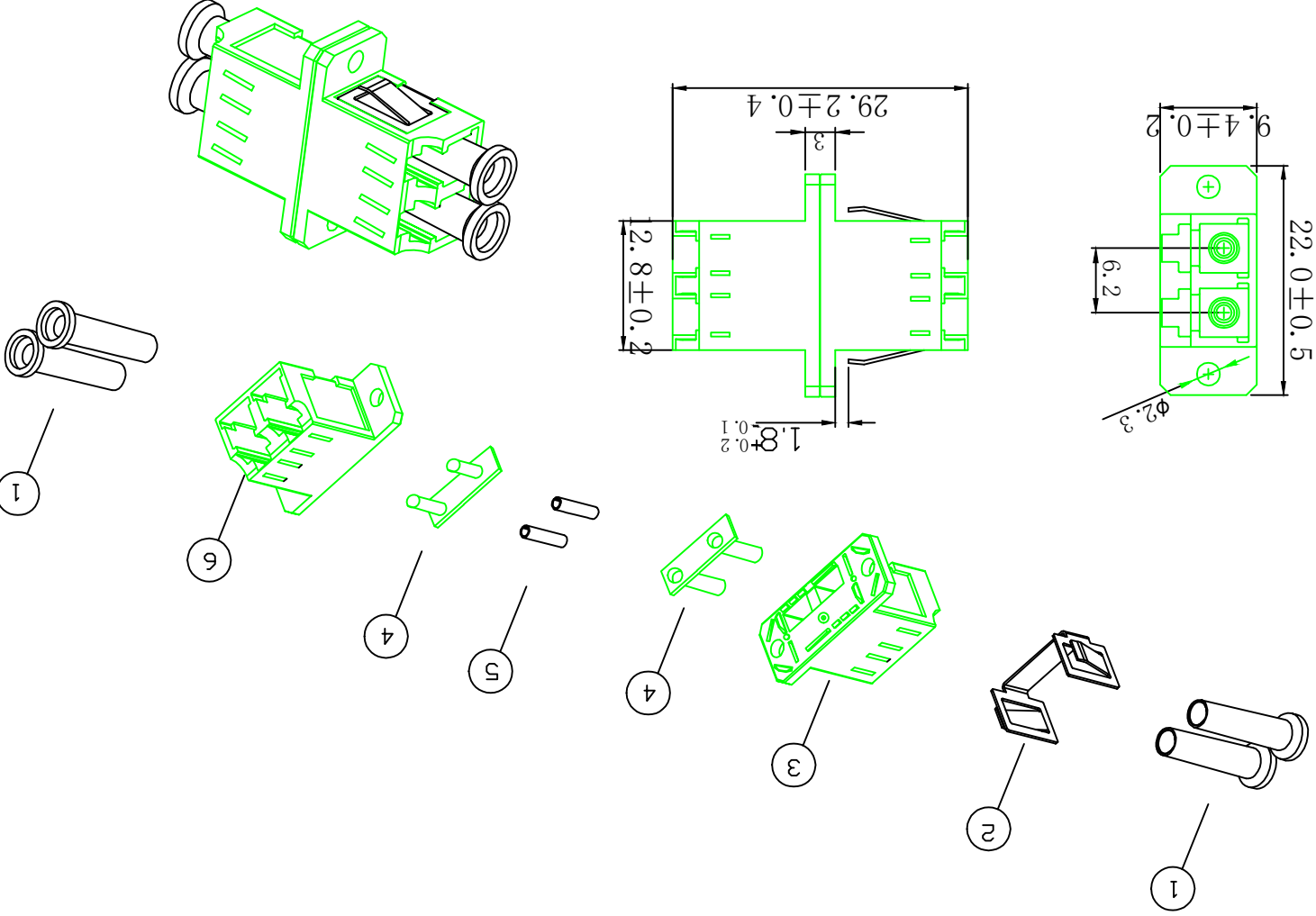
BY	CHK	REVISION RECORD MODIFICATIONS	DATE	REV.	DRAWNBY	CHECKBY	APPROBY	DATE
		NEW	2016.08.25	A				2016.08.25
NO.	SPECIFICATION STANDARD							

①	LC White Dust Cap	4pcs	REMARK
②	LC Metal Mount	1pcs	
③	LC Green Body (SC simplex footprint)	1pcs	
④	Green bush	2pcs	
⑤	LC Sleeve ceramic (APC)	1pcs	
⑥	LC Green Body (SC simplex footprint)	1pcs	

MATERIAL LIST:

Insertion Loss (typical) (dB)	≤0.12
Insertion Loss (dB)	≤0.20
Operating Temperature (°C)	-40 ~ +80
Storage Temperature (°C)	-40 ~ +85

NOTE:
RoHS 2.0 & Reach COMPLIANT



LogiLink Professional F24LC2/3/4
 2Direct GmbH
 ITEM NO.
 PRODUCT NAME
 LC/APC Green (ceramic) Duplex
 Plastic Adapter (SC SX Footprint)
 DRAWNBY
 CHECKBY
 APPROBY
 DATE

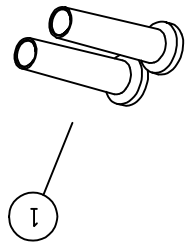
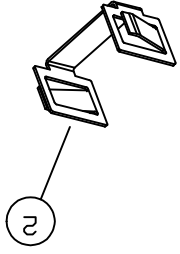
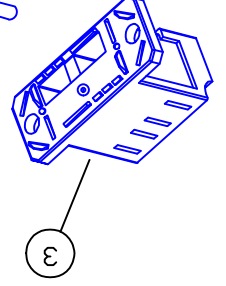
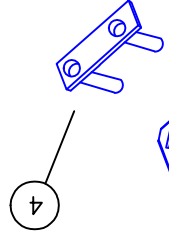
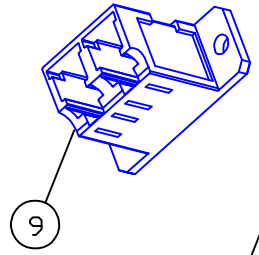
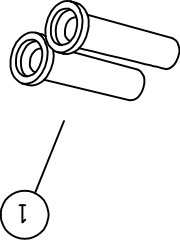
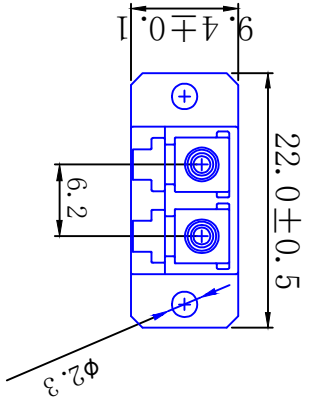
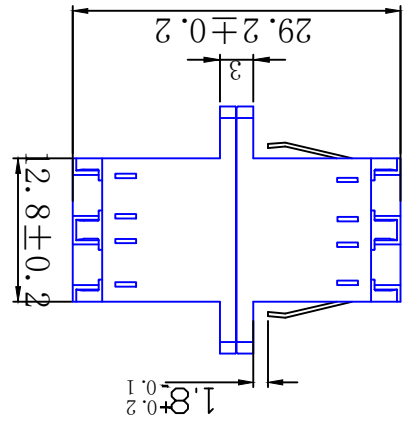
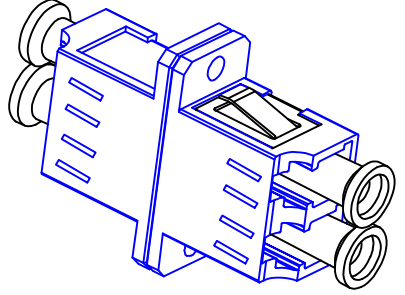
BY	CHK	REVISION RECORD MODIFICATIONS	DATE	REV.	DRAWNBY	CHECKBY	APPBY	DATE
		NEW	2016.08.25	A				2016.08.25
NO.		SPECIFICATION STANDARD	QTY	REMARK	PRODUCT NAME			

⑥	LC Blue Body (SC simplex footprint)	1pcs	
⑤	LC Sleeve ceramic(Single-Mode)	1pcs	
④	Blue bush	2pcs	
③	LC Blue Body (SC simplex footprint)	1pcs	
②	LC Metal Mount	1pcs	
①	LC White Dust Cap	4pcs	

MATERIAL LIST:

Insertion Loss (typical) (dB)	≤0.12
Insertion Loss (dB)	≤0.20
Operating Temperature (°C)	-40 ~ +80
Storage Temperature (°C)	-40 ~ +85

NOTE:
RoHS 2.0 & Reach COMPLIANT



UNIT	MM
------	----

Logilink Professional F24LC2/3/4
ZDirect GmbH

BY	CHK	REVISION RECORD MODIFICATIONS	DATE	REV.	DRAWNBY	CHECKBY	APPROBY	DATE
		NEW	2016.08.25	A				2016.08.25

ITEM NO.	2Direct GmbH
ITEM NO.	

PRODUCT NAME	LC MM Erika violett (ceramic) Duplex Plastic Adapter (SC SX Footprint)
--------------	--

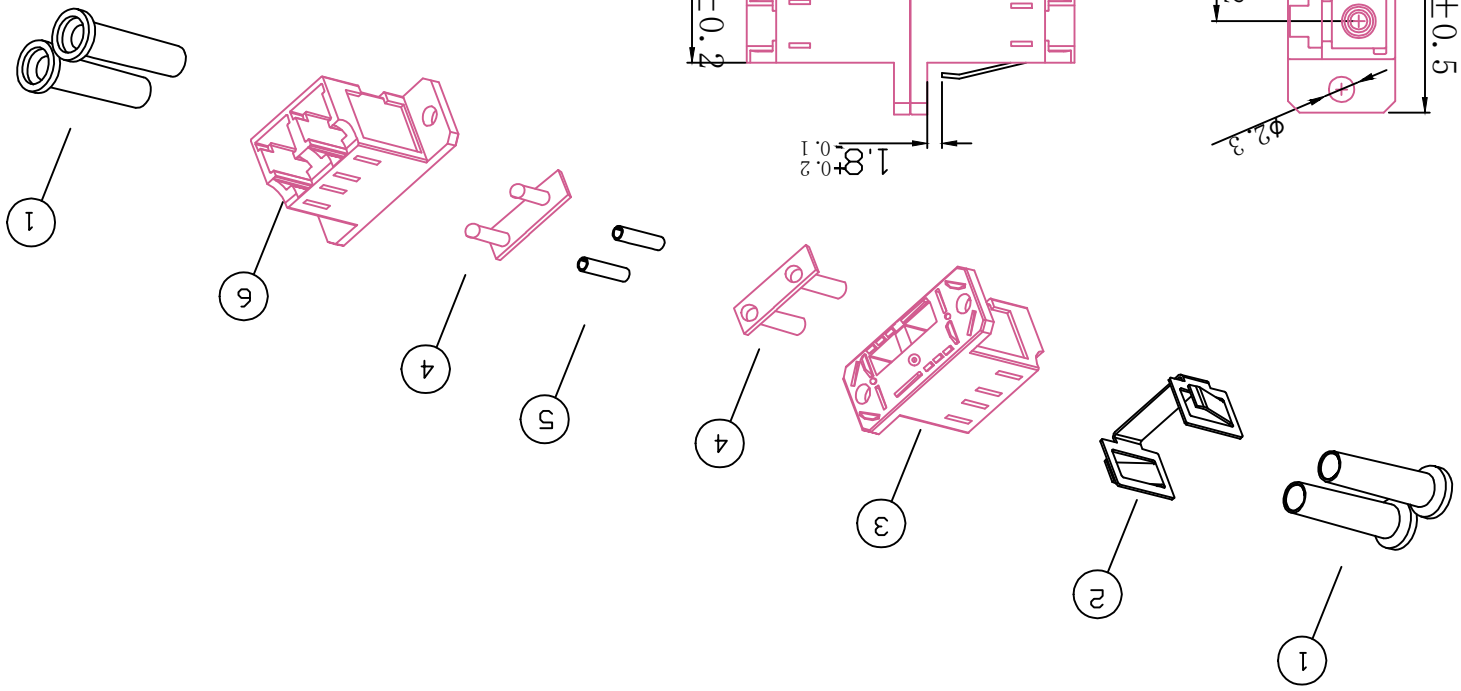
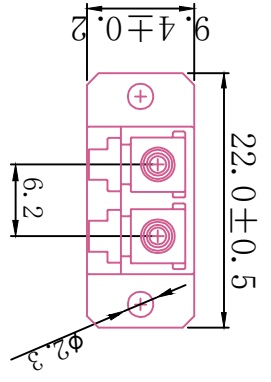
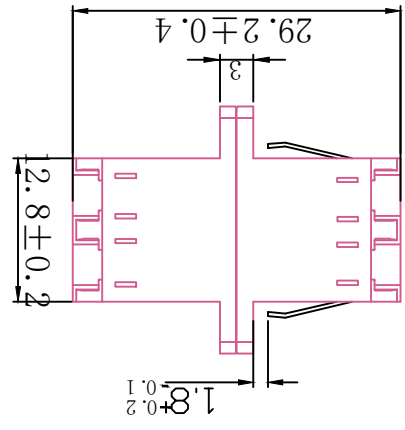
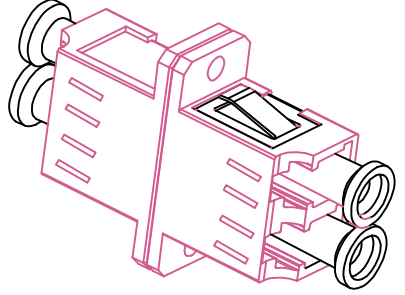
UNIT	MM
------	----

NO.	SPECIFICATION STANDARD	QTY	REMARK
①	LC White Dust Cap	4pcs	
②	LC Metal Mount	1pcs	
③	LC Erika violett Body RAL4003 (SC simplex footprint)	1pcs	
④	Erika violett bush RAL4003	2pcs	
⑤	LC Sleeve ceramic (Multi-Mode)	1pcs	
⑥	LC Erika violett Body RAL4003 (SC simplex footprint)	1pcs	

MATERIAL LIST:

Insertion Loss (typical) (dB)	≤0.12
Insertion Loss (dB)	≤0.20
Operating Temperature (°C)	-40 ~ +80
Storage Temperature (°C)	-40 ~ +85

NOTE: RoHS 2.0 & Reach COMPLIANT



BY	CHK	REVISION RECORD MODIFICATIONS	DATE	REV.	DRAWNBY	CHECKBY	APPROBY	DATE
		NEW	2016.08.25	A				2016.08.25

ITEM NO.	2Direct GmbH
UNIT	
MM	

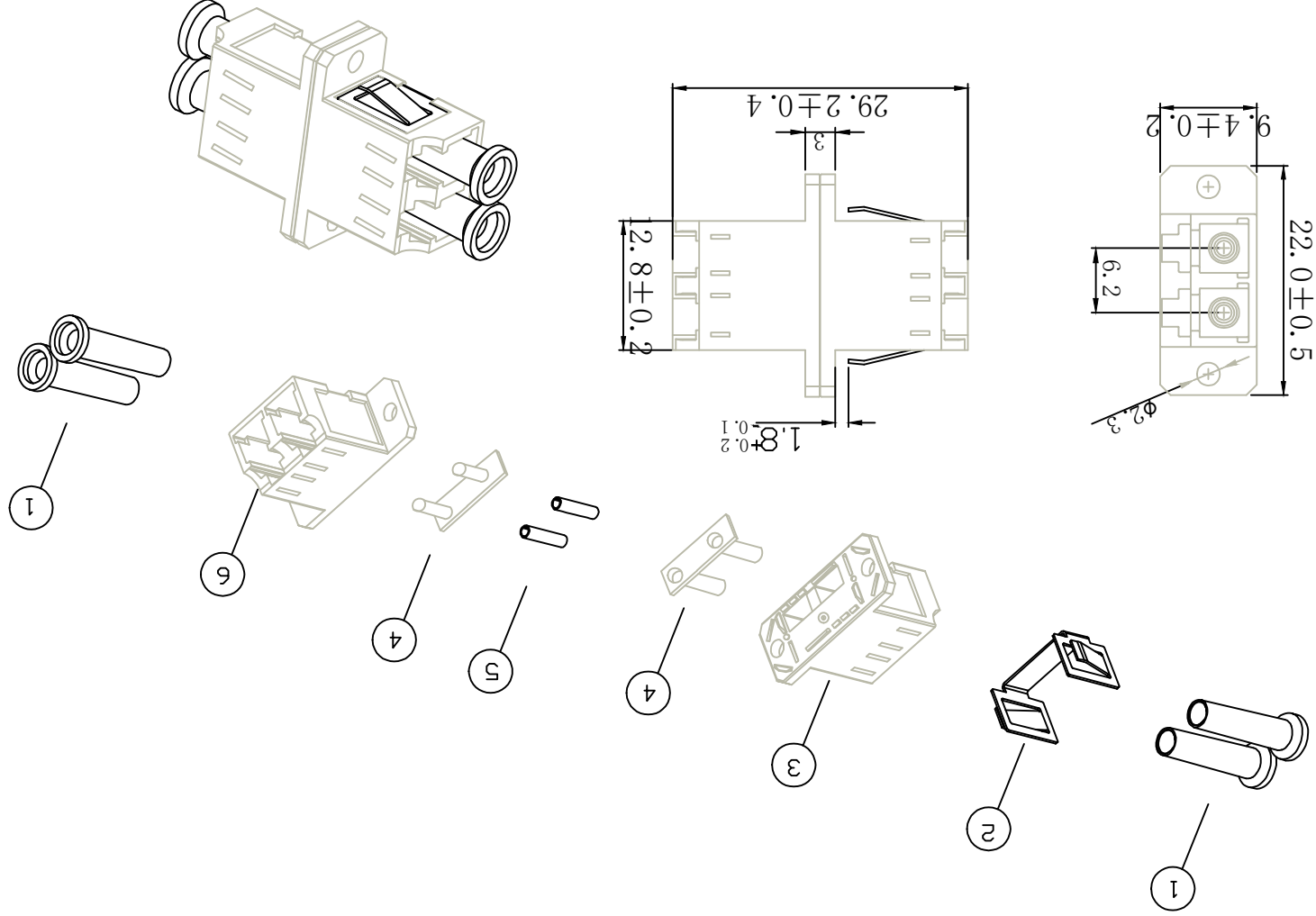
PRODUCT NAME	LC MM beige(ceramic)Duplex Plastic Adapter(SC SX Footprint)
--------------	---

NO.	SPECIFICATION STANDARD	QTY	REMARK
①	LC White Dust Cap	4pcs	
②	LC Metal Mount	1pcs	
③	LC beige Body (SC simplex footprint)	1pcs	
④	Beige bush	2pcs	
⑤	LC Sleeve ceramic(Multi-Mode)	1pcs	
⑥	LC beige Body (SC simplex footprint)	1pcs	

MATERIAL LIST:

Insertion Loss (typical) (dB)	≤0.12
Insertion Loss (dB)	≤0.20
Operating Temperature(°C)	-40 ~+80
Storage Temperature(°C)	-40 ~+85

NOTE:
RoHS 2.0 & Reach COMPLIANT



BY	CHK	REVISION RECORD MODIFICATIONS	DATE	REV.	DRAWNBY	CHECKBY	APPROBY	DATE
		NEW	2016.08.25	A				2016.08.25

ITEM NO.	2Direct GmbH
ITEM NO.	

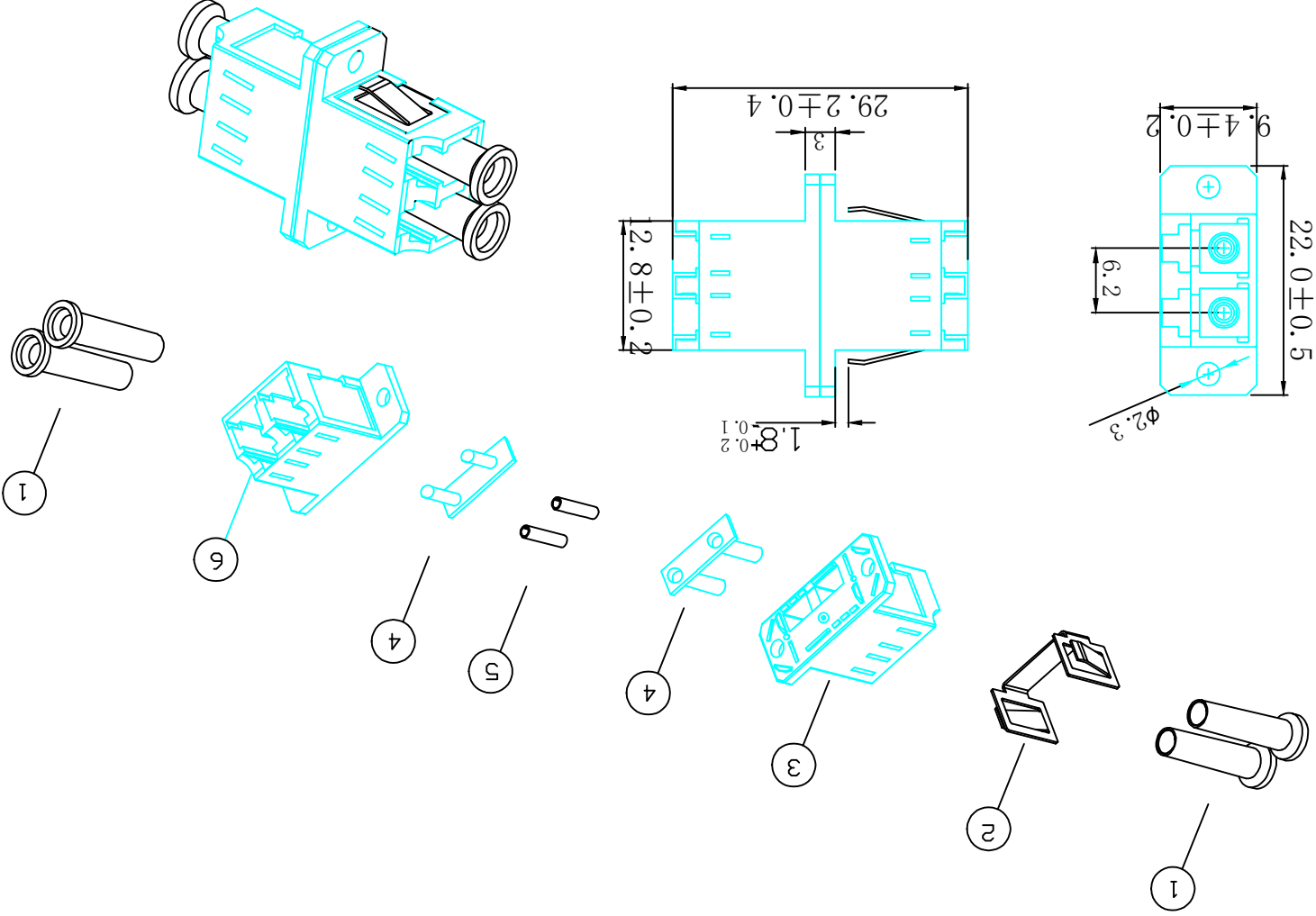
PRODUCT NAME	LC MM Aqua (ceramic/Duplex Plastic Adapter (SC SX Footprint))
UNIT	MM

NO.	SPECIFICATION STANDARD	QTY	REMARK
①	LC White Dust Cap	4pcs	
②	LC Metal Mount	1pcs	
③	LC Aqua Body (SC simplex footprint)	1pcs	
④	Aqua bush	2pcs	
⑤	LC Sleeve ceramic (Multi-Mode)	1pcs	
⑥	LC Aqua Body (SC simplex footprint)	1pcs	

MATERIAL LIST:

Insertion Loss (typical) (dB)	≤0.12
Insertion Loss (dB)	≤0.20
Operating Temperature (°C)	-40 ~ +80
Storage Temperature (°C)	-40 ~ +85

NOTE: RoHS 2.0 & Reach COMPLIANT



NOTE:
The primary coating and secondary coating
have the same colour
ROHS 2.0 Compliant

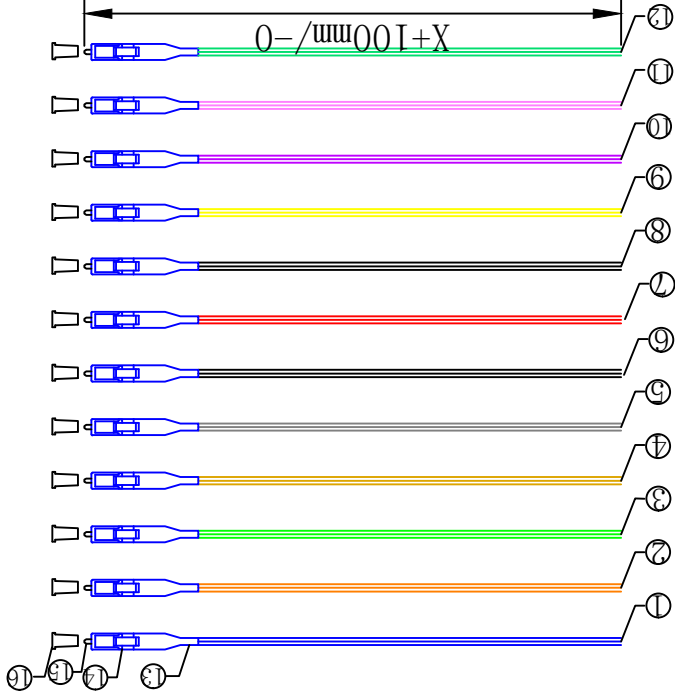
MATERIAL LIST:

NO.	SPECIFICATION STANDARD	QTY	REMARK
①	Fiber Cable LOOSE TUBE SM 9/125 0.9mm BLUE LSZH	Xm	
②	Fiber Cable LOOSE TUBE SM 9/125 0.9mm ORANGE LSZH	Xm	
③	Fiber Cable LOOSE TUBE SM 9/125 0.9mm GREEN LSZH	Xm	
④	Fiber Cable LOOSE TUBE SM 9/125 0.9mm BROWN LSZH	Xm	
⑤	Fiber Cable LOOSE TUBE SM 9/125 0.9mm GREY LSZH	Xm	
⑥	Fiber Cable LOOSE TUBE SM 9/125 0.9mm WHITE LSZH	Xm	
⑦	Fiber Cable LOOSE TUBE SM 9/125 0.9mm RED LSZH	Xm	
⑧	Fiber Cable LOOSE TUBE SM 9/125 0.9mm BLACK LSZH	Xm	
⑨	Fiber Cable LOOSE TUBE SM 9/125 0.9mm YELLOW LSZH	Xm	
⑩	Fiber Cable LOOSE TUBE SM 9/125 0.9mm VIOLET LSZH	Xm	
⑪	Fiber Cable LOOSE TUBE SM 9/125 0.9mm PINK LSZH	Xm	
⑫	Fiber Cable LOOSE TUBE SM 9/125 0.9mm TURQUOISE LSZH	Xm	
⑬	LC 0.9 Blue Boot	12	
⑭	LC SM Blue 0.9 Connector	12	
⑮	LC/UPC SM Ferrule 125-126um	12	
⑯	LC White Dust Cap	12	

BY	CHK	REVISION RECORD MODIFICATIONS	DATE	REV.	DRAWNBY	CHECKBY	APPROBY	DATE
		NEW	2016.08.25	A				2016.08.25
					PRODUCT NAME	Pigtail LC/UPC SM 9/125 μm	ITEM NO.	
						12 different colours		
					UNIT			
					MM			

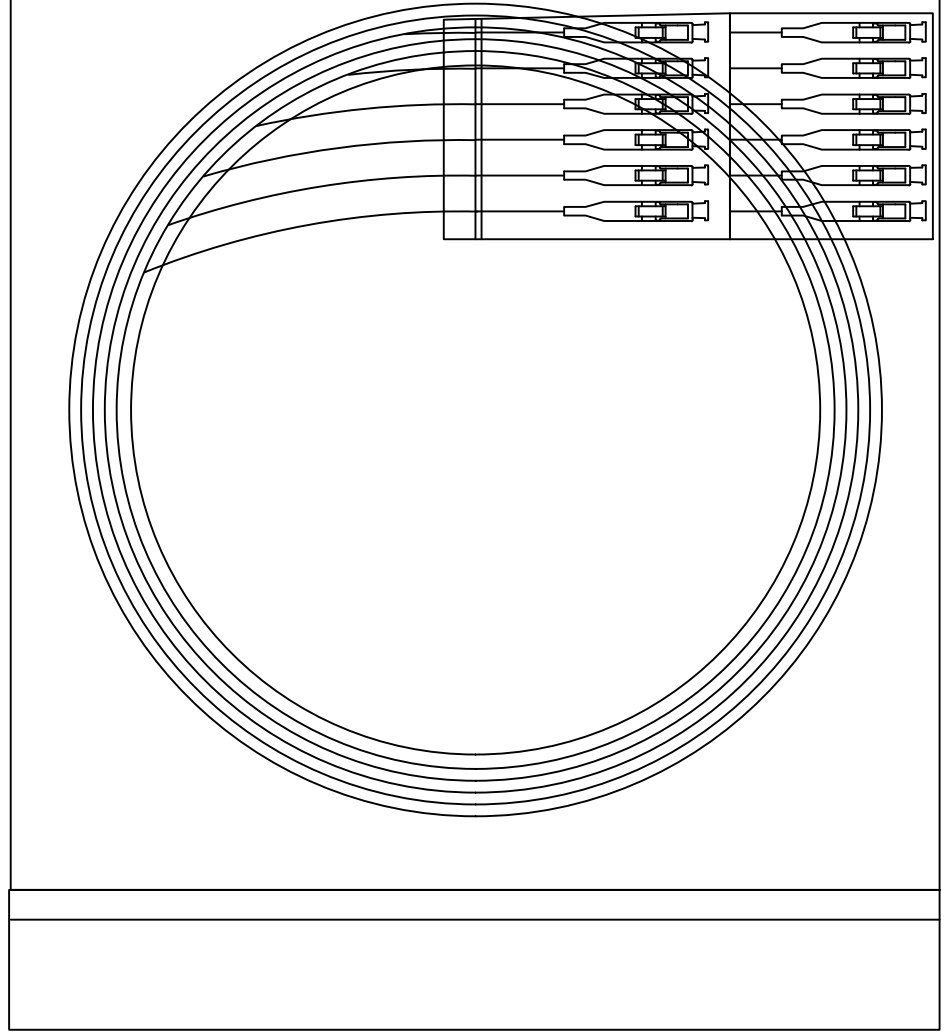
2Direct Gmbh	ITEM NO.	

Type	Single-Mode
Insertion Loss	<=0.3dB
Return Loss	>50dB
Test Wavelength	1310nm



BY	CHK	REVISION RECORD MODIFICATIONS	DATE	REV.	DRAWNBY	CHECKBY	APPOBY	DATE
		NEW	2016. 08. 25	A				2016. 08. 25
					PRODUCT	Pigtail LC/UFC SM 9/125 μm	ITEM NO.	UNIT
					NAME	12 different colours		MM

	2Direct Gmbh	ITEM NO.



TEST REPORT			
Batch No.	PO NO.	Test	Wavelength:
ITEM No.			
Description	Pigtail set LC single mode 9/125, 12different colour xm OD 0.9mm LSZH loose tube		
Allow Loss	Insertion Loss	Return Loss	(SM)
0.3dB			50dB
TEST VALUES			
Fiber	Insertion Loss (dB)	Return Loss (dB)	
BLUE			
ORANGE			
GREEN			
BROWN			
GREY			
WHITE			
RED			
BLACK			
YELLOW			
VIOLET			
PINK			
TURQUOISE			
RESULT	OK		

NOTE:
The primary coating and secondary coating
have the same colour
ROHS 2.0 Compliant

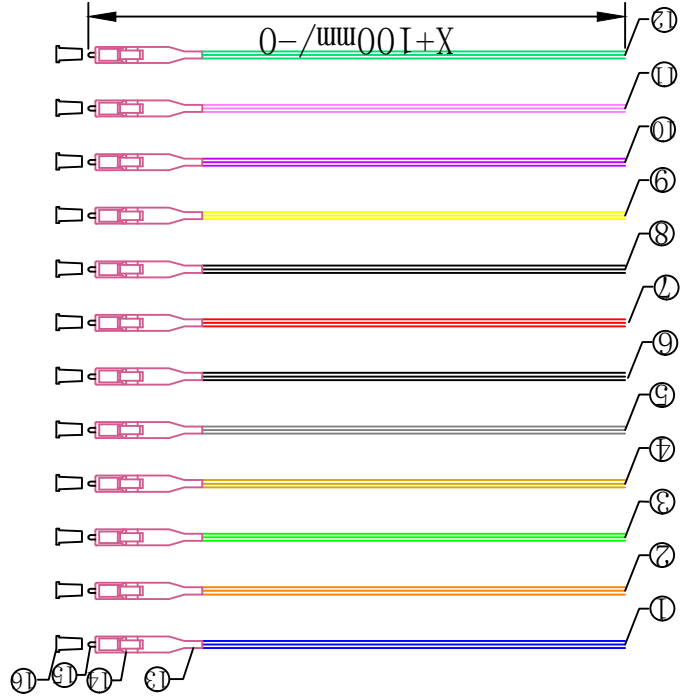
MATERIAL LIST:

NO.	SPECIFICATION STANDARD	QTY	REMARK
①	Fiber Cable LOOSE TUBE OM4 50/125 0.9mm BLUE LSZH	Xm	
②	Fiber Cable LOOSE TUBE OM4 50/125 0.9mm ORANGE LSZH	Xm	
③	Fiber Cable LOOSE TUBE OM4 50/125 0.9mm GREEN LSZH	Xm	
④	Fiber Cable LOOSE TUBE OM4 50/125 0.9mm BROWN LSZH	Xm	
⑤	Fiber Cable LOOSE TUBE OM4 50/125 0.9mm GREY LSZH	Xm	
⑥	Fiber Cable LOOSE TUBE OM4 50/125 0.9mm WHITE LSZH	Xm	
⑦	Fiber Cable LOOSE TUBE OM4 50/125 0.9mm RED LSZH	Xm	
⑧	Fiber Cable LOOSE TUBE OM4 50/125 0.9mm BLACK LSZH	Xm	
⑨	Fiber Cable LOOSE TUBE OM4 50/125 0.9mm YELLOW LSZH	Xm	
⑩	Fiber Cable LOOSE TUBE OM4 50/125 0.9mm VIOLET LSZH	Xm	
⑪	Fiber Cable LOOSE TUBE OM4 50/125 0.9mm PINK LSZH	Xm	
⑫	Fiber Cable LOOSE TUBE OM4 50/125 0.9mm TURQUOISE LSZH	Xm	
⑬	LC 0.9 Erika violet Boot	12	
⑭	LC MM Erika violet 0.9 Connector	12	
⑮	LC/UFC MM Ferrule 126-128um	12	
⑯	LC White Dust Cap	12	

BY	CHK	REVISION RECORD MODIFICATIONS	DATE	REV.	DRAWNBY	CHECKBY	APPROBY	DATE	2016.08.25
		NEW	2016.08.25	A					

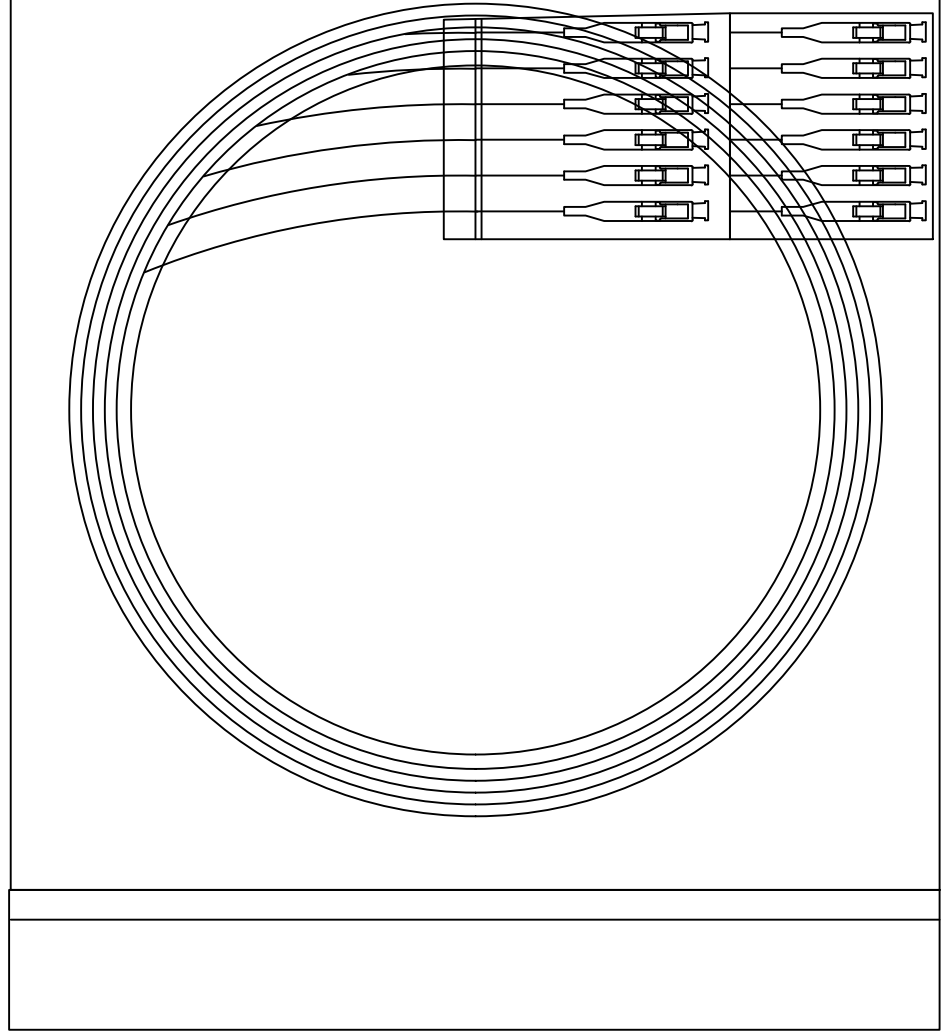
PRODUCT NAME	OM4 12 different colours
ITEM NO.	2Direct GmbH
UNIT	MM

Type	Multi-Mode
Insertion Loss	<=0.3dB
Return Loss	NA
Test Wavelength	850nm



BY	CHK	REVISION RECORD MODIFICATIONS	DATE	REV.	DRAWNBY	CHECKBY	APPOBY	DATE	2016.08.25
		NEW	2016.08.25	A					
					PRODUCT	OM4 12 different colours	ITEM NO.	UNIT	MM

2Direct GmbH		ITEM NO.



TEST REPORT			
Batch No.	PO NO.	Test	Wavelength:
ITEM No.		Test	
Description:	Pigtail set LC OM4 Multi-Mode 50/125, 12different colour xm OD 0.9mm LSZH loose tube		
Allow Loss	Insertion Loss	Return Loss	(MM) N/A
	0.3dB		
TEST VALUES			
Fiber	Insertion Loss (dB)	Return Loss (dB)	
BLUE			
ORANGE			
GREEN			
BROWN			
GREY			
WHITE			
RED			
BLACK			
YELLOW			
VIOLET			
PINK			
TURQUOISE			
RESULT	OK		

NOTE:
The primary coating and secondary coating
have the same colour
ROHS 2.0 Compliant

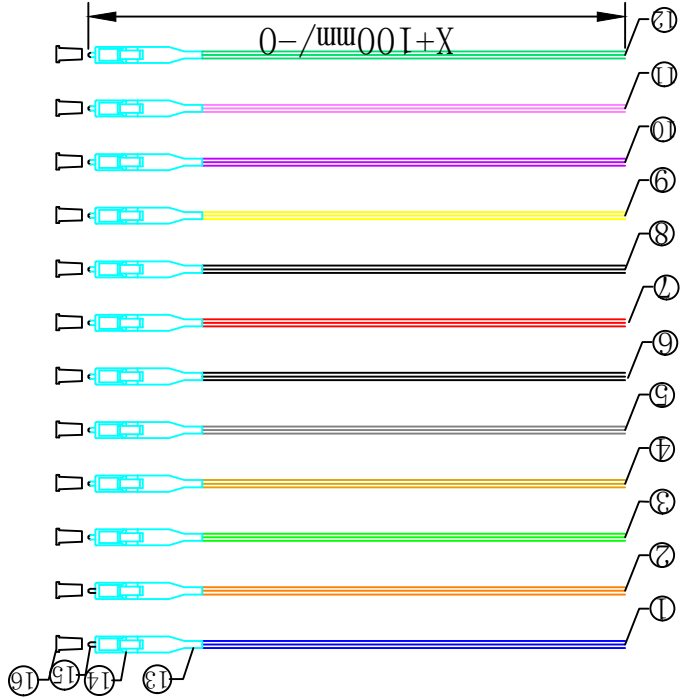
MATERIAL LIST:

NO.	SPECIFICATION STANDARD		QTY	REMARK
①	Fiber Cable	LOOSE TUBE OM3 50/125 0.9mm BLUE LSZH	Xm	
②	Fiber Cable	LOOSE TUBE OM3 50/125 0.9mm ORANGE LSZH	Xm	
③	Fiber Cable	LOOSE TUBE OM3 50/125 0.9mm GREEN LSZH	Xm	
④	Fiber Cable	LOOSE TUBE OM3 50/125 0.9mm BROWN LSZH	Xm	
⑤	Fiber Cable	LOOSE TUBE OM3 50/125 0.9mm GREY LSZH	Xm	
⑥	Fiber Cable	LOOSE TUBE OM3 50/125 0.9mm WHITE LSZH	Xm	
⑦	Fiber Cable	LOOSE TUBE OM3 50/125 0.9mm RED LSZH	Xm	
⑧	Fiber Cable	LOOSE TUBE OM3 50/125 0.9mm BLACK LSZH	Xm	
⑨	Fiber Cable	LOOSE TUBE OM3 50/125 0.9mm YELLOW LSZH	Xm	
⑩	Fiber Cable	LOOSE TUBE OM3 50/125 0.9mm VIOLET LSZH	Xm	
⑪	Fiber Cable	LOOSE TUBE OM3 50/125 0.9mm PINK LSZH	Xm	
⑫	Fiber Cable	LOOSE TUBE OM3 50/125 0.9mm TURQUOISE LSZH	Xm	
⑬	LC 0.9 Aqua Boot		12	
⑭	LC MM Aqua 0.9 Connector		12	
⑮	LC/UPC MM Ferrule 126-128um		12	
⑯	LC White Dust Cap		12	

BY	CHK	REVISION RECORD MODIFICATIONS	DATE	REV.
		NEW	2016.08.25	A

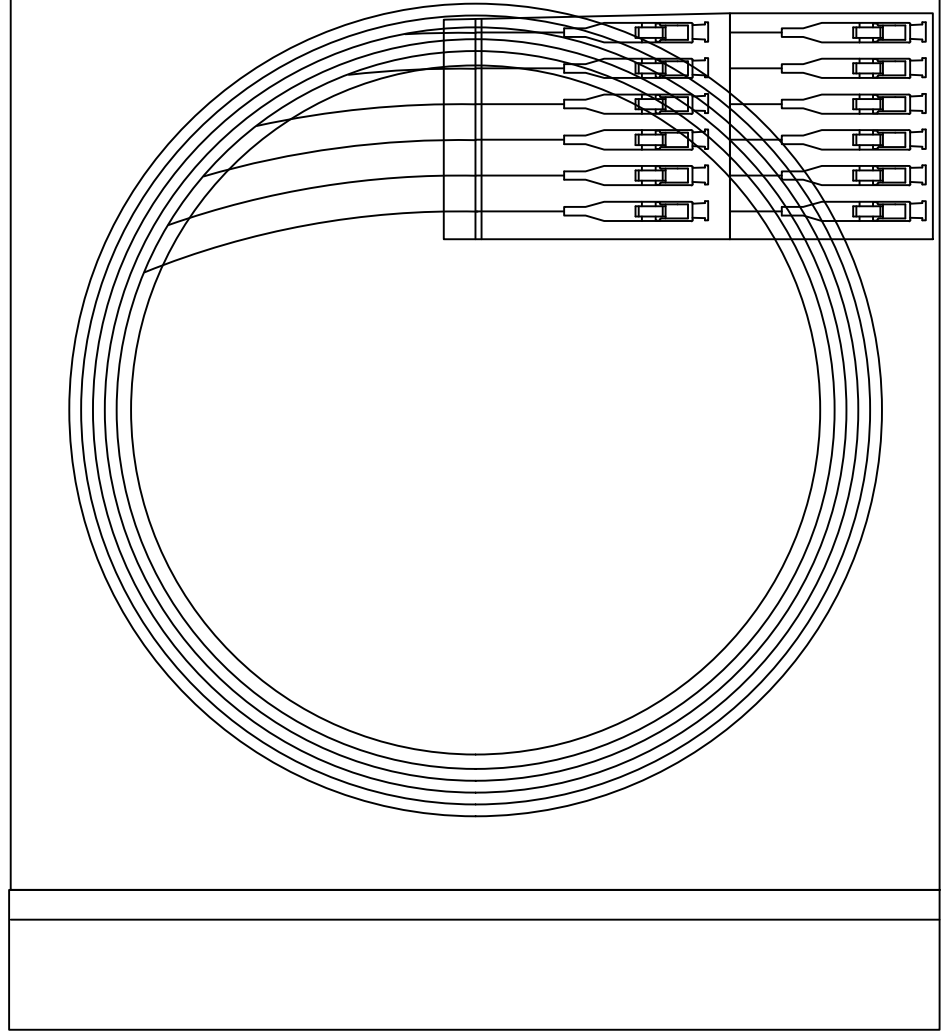
PRODUCT NAME	DRAWNBY	CHECKBY	APPROBY	DATE
Pligtal LC/UPC MM 50/125 µm				2016.08.25
OM3 12 different colours				
ITEM NO.	UNIT	MM		

2Direct GmbH	ITEM NO.	TEST WAVELENGTH	850nm
		RETURN LOSS	NA
		INSERTION LOSS	<=0.3dB
		TYPE	Multi-Mode



BY	CHK	REVISION RECORD MODIFICATIONS	DATE	REV.	DRAWNBY	CHECKBY	APPOBY	DATE	2016.08.25
		NEW	2016.08.25	A					
					PRODUCT	Pigtail LC/UFC 50/125 μm	NAME	OM3 12 different colours	ITEM NO.
						2Direct Gmbh	ITEM NO.		

TEST REPORT			
Batch No.	PO NO.	Test	Wavelength:
ITEM No.			
Description	Pigtail set LC OM3 Multi-Mode 50/125, 12different colour xm OD 0.9mm LSZH loose tube		
Allow Loss	Insertion Loss	Return Loss	(MM) N/A
	0.3dB		
TEST VALUES			
Fiber	Insertion Loss (dB)	Return Loss (dB)	
BLUE			
ORANGE			
GREEN			
BROWN			
GREY			
WHITE			
RFD			
BLACK			
YELLOW			
VIOLET			
PINK			
TURQUOISE			
RESULT	OK		



NOTE:
The primary coating and secondary coating
have the same color
ROHS 2.0 Compliant

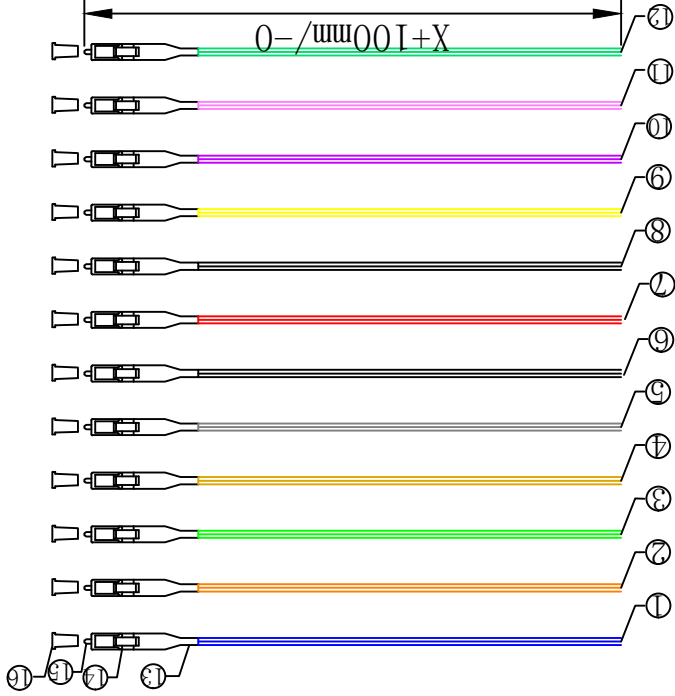
MATERIAL LIST:

NO.	SPECIFICATION STANDARD	QTY	REMARK
①	Fiber Cable LOOSE TUBE OM2 50/125 0.9mm BLUE LSZH	Xm	
②	Fiber Cable LOOSE TUBE OM2 50/125 0.9mm ORANGE LSZH	Xm	
③	Fiber Cable LOOSE TUBE OM2 50/125 0.9mm GREEN LSZH	Xm	
④	Fiber Cable LOOSE TUBE OM2 50/125 0.9mm BROWN LSZH	Xm	
⑤	Fiber Cable LOOSE TUBE OM2 50/125 0.9mm GREY LSZH	Xm	
⑥	Fiber Cable LOOSE TUBE OM2 50/125 0.9mm WHITE LSZH	Xm	
⑦	Fiber Cable LOOSE TUBE OM2 50/125 0.9mm RED LSZH	Xm	
⑧	Fiber Cable LOOSE TUBE OM2 50/125 0.9mm BLACK LSZH	Xm	
⑨	Fiber Cable LOOSE TUBE OM2 50/125 0.9mm YELLOW LSZH	Xm	
⑩	Fiber Cable LOOSE TUBE OM2 50/125 0.9mm VIOLET LSZH	Xm	
⑪	Fiber Cable LOOSE TUBE OM2 50/125 0.9mm PINK LSZH	Xm	
⑫	Fiber Cable LOOSE TUBE OM2 50/125 0.9mm TURQUOISE LSZH	Xm	
⑬	LC 0.9 White Boot	12	
⑭	LC MM Beige 0.9 Connector	12	
⑮	LC/UFC MM Ferrule 126-128um	12	
⑯	LC White Dust Cap	12	

BY	CHK	REVISION RECORD MODIFICATIONS	DATE	REV.	DRAWNBY	CHECKBY	APPROBY	DATE	2016.08.25
		NEW	2016.08.25	A					
					PRODUCT NAME	OM2 12 different colours	ITEM NO.	UNIT	MM

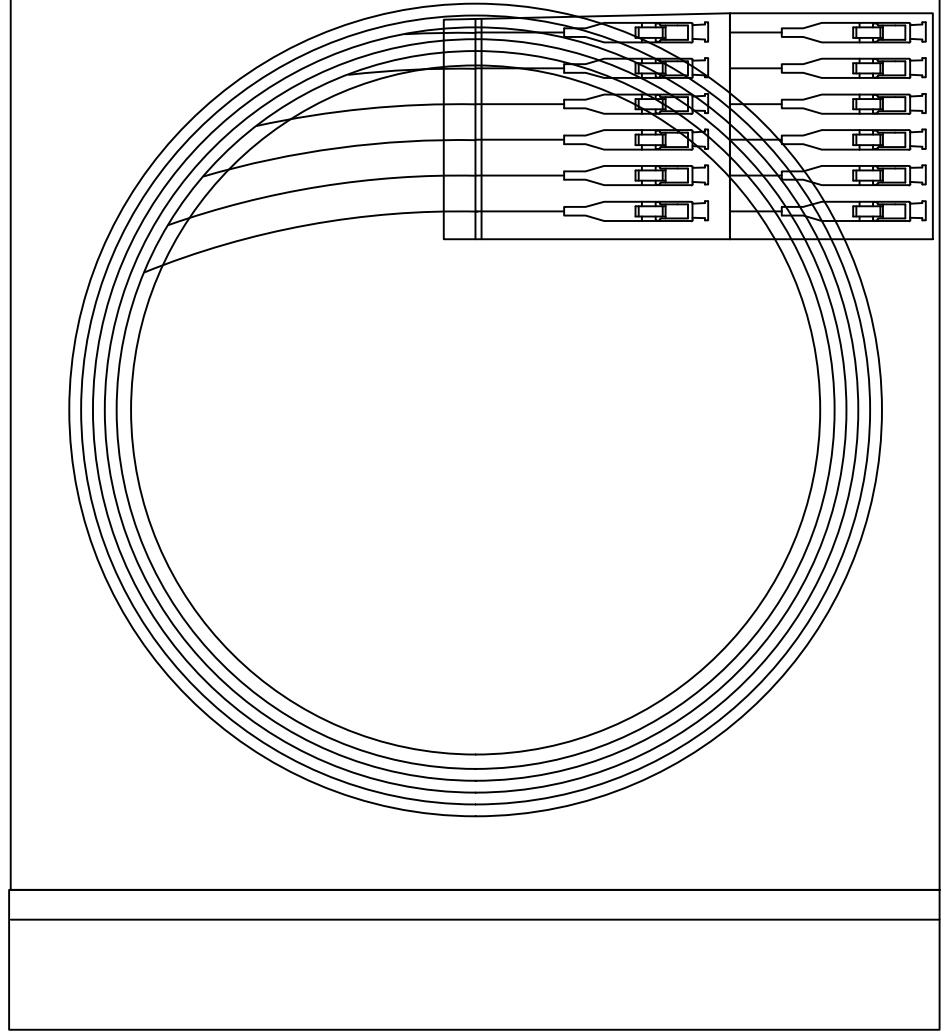
NO.	ITEM NO.	2D Direct Gmbh
	ITEM NO.	

Type	Multi-Mode
Insertion Loss	<=0.3dB
Return Loss	NA
Test Wavelength	850nm



BY	CHK	REVISION RECORD MODIFICATIONS	DATE	REV.	DRAWNBY	CHECKBY	APPOBY	DATE
		NEW	2016.08.25	A				2016.08.25
					PRODUCT NAME	OM2 12 different colours	ITEM NO.	UNIT
					Pigtail LC/UFC 50/125 μm			MM

2Direct GmbH		ITEM NO.



TEST REPORT			
Batch No.	PO NO.	Test	Wavelength:
ITEM No.			
Description Pigtail set LC OM2 Multi-Mode 50/125, 12different colour xm OD 0.9mm LSZH loose tube			
Allow Loss	Insertion Loss	Return Loss	(MM)
0.3dB			N/A
TEST VALUES			
Fiber	Insertion Loss (dB)	Return Loss (dB)	
BLUE			
ORANGE			
GREEN			
BROWN			
GREY			
WHITE			
RED			
BLACK			
YELLOW			
VIOLET			
PINK			
TURQUOISE			
RESULT	OK		

NOTE:
The primary coating and secondary coating
have the same colour

MATERIAL LIST:

NO.	SPECIFICATION STANDARD		QTY	REMARK
①	Fiber Cable	LOOSE TUBE SM 9/125 0.9mm BLUE LSZH	Xm	
②	Fiber Cable	LOOSE TUBE SM 9/125 0.9mm ORANGE LSZH	Xm	
③	Fiber Cable	LOOSE TUBE SM 9/125 0.9mm GREEN LSZH	Xm	
④	Fiber Cable	LOOSE TUBE SM 9/125 0.9mm BROWN LSZH	Xm	
⑤	Fiber Cable	LOOSE TUBE SM 9/125 0.9mm GREY LSZH	Xm	
⑥	Fiber Cable	LOOSE TUBE SM 9/125 0.9mm WHITE LSZH	Xm	
⑦	Fiber Cable	LOOSE TUBE SM 9/125 0.9mm RED LSZH	Xm	
⑧	Fiber Cable	LOOSE TUBE SM 9/125 0.9mm BLACK LSZH	Xm	
⑨	Fiber Cable	LOOSE TUBE SM 9/125 0.9mm YELLOW LSZH	Xm	
⑩	Fiber Cable	LOOSE TUBE SM 9/125 0.9mm VIOLET LSZH	Xm	
⑪	Fiber Cable	LOOSE TUBE SM 9/125 0.9mm PINK LSZH	Xm	
⑫	Fiber Cable	LOOSE TUBE SM 9/125 0.9mm TURQUOISE LSZH	Xm	
⑬	LC 0.9 Green Boot		12	
⑭	LC/APC 0.9 Green Connector		12	
⑮	LC/APC 8° Ferrule 125-126um		12	
⑯	LC White Dust Cap		12	

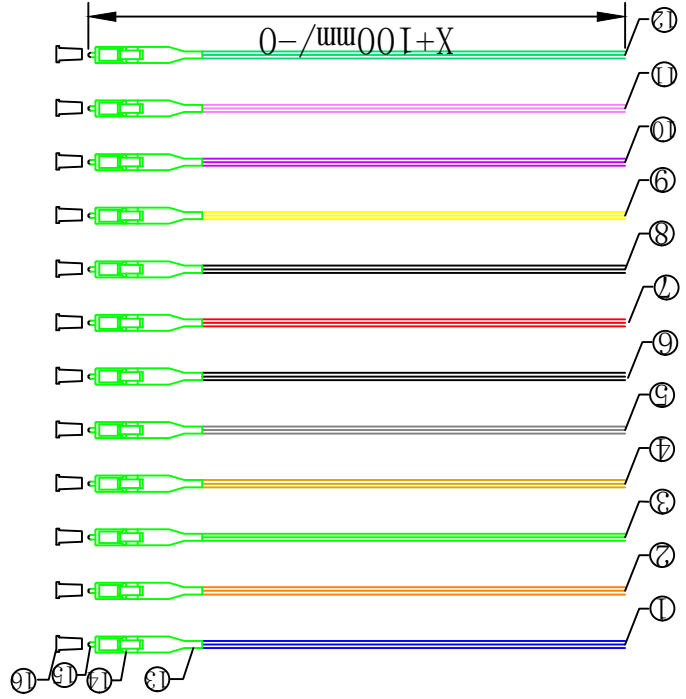
BY	CHK	REVISION RECORD MODIFICATIONS	DATE	REV.	DRAWNBY	CHECKBY	APPROBY	DATE
		NEW	2016.08.25	A				2016.08.25
					PRODUCT NAME	LC/APC 8° Ferrule 125-126um	ITEM NO.	UNIT MM

2Ditect GmbH		ITEM NO.

Type	Single-Mode
Insertion Loss	<=0.3dB
Return Loss	>60dB
Test Wavelength	1310nm

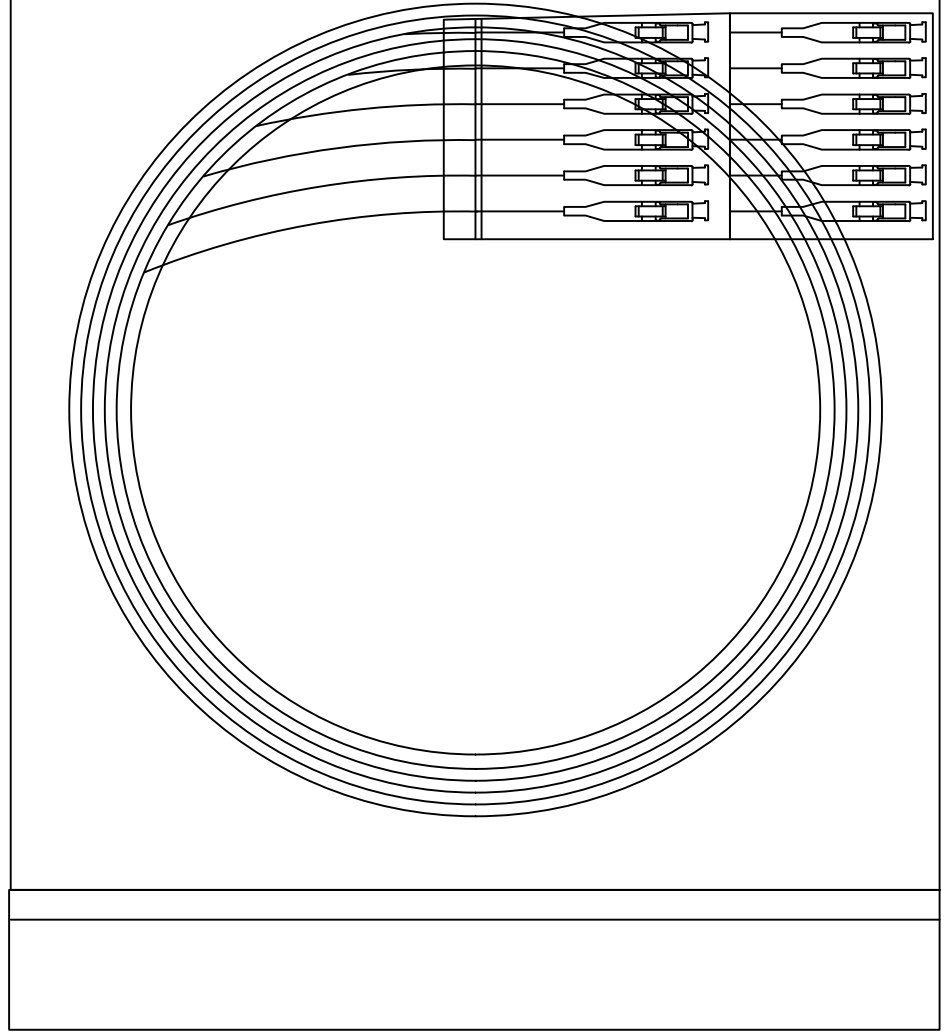
ROHS Compliant

Note:



BY	CHK	REVISION RECORD MODIFICATIONS	DATE	REV.	DRAWNBY	CHECKBY	APPOBY	2016.08.25
		NEW	2016.08.25	A				
					PRODUCT NAME	different colours	ITEM NO.	
					UNIT	MM		

2Direct GmbH	ITEM NO.

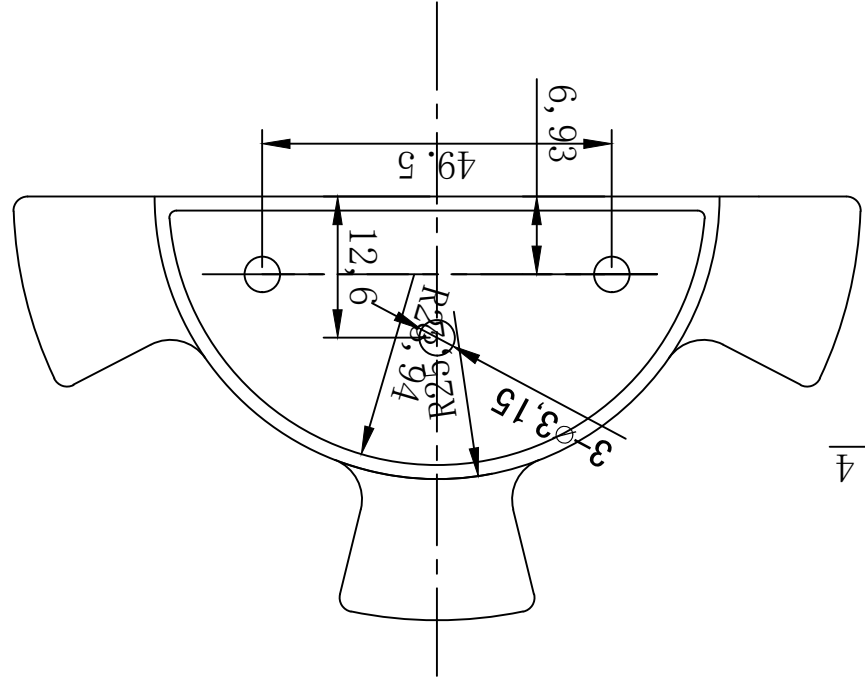
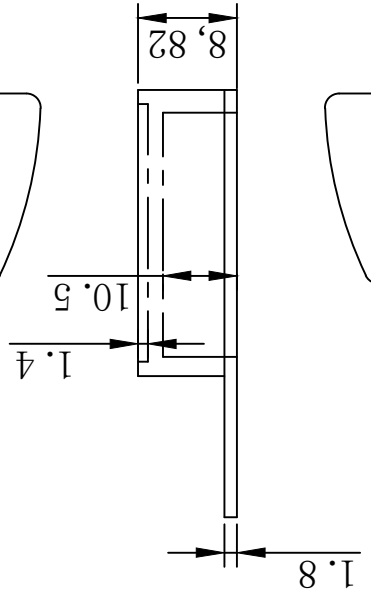
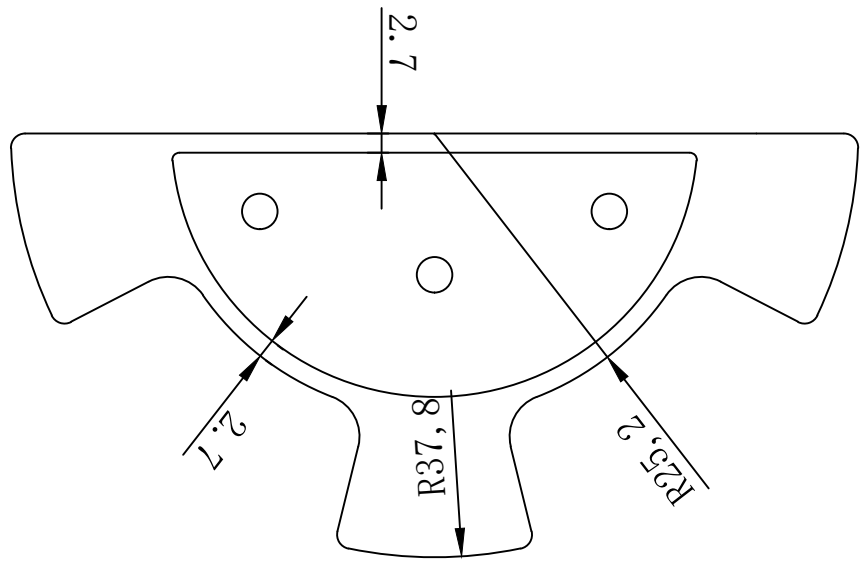


TEST REPORT			
Batch No.	PO NO.	Test	Wavelength:
ITEM No.			
Description Pigtail set LC APC 8, 12different colour xm OD .9mm LSZH loose tube			
Allow Loss	Insertion Loss	Return Loss	(APC)
0.3dB			60dB
TEST VALUES			
Fiber	Insertion Loss (dB)	Return Loss (dB)	
BLUE			
ORANGE			
GREEN			
BROWN			
GREY			
WHITE			
RED			
BLACK			
YELLOW			
VIOLLET			
PINK			
TURQUOISE			
RESULT	OK		

BY	CHK	REVISION RECORD MODIFICATIONS	DATE	REV.	DRAWNBY	CHECKBY	APPOBY	DATE
		NEW	2016. 08. 25	A				2016. 08. 25
					PRODUCT NAME	Fibre cable management	ITEM NO.	UNIT
						Spool - Grey		MM

Logilink Professional F24LC2/3/4
 2Direct Gmbh
 ITEM NO.

Note:
 1. COLOUR: ABS/GRAY
 2. ROHS2. 0 COMPLIANT
 3. Accessory: Screw M3*8, Hex Nut M3*2.4



X-ON Electronics

Largest Supplier of Electrical and Electronic Components

Click to view similar products for [Fibre Optic Connectors](#) category:

Click to view products by [Logilink](#) manufacturer:

Other Similar products are found below :

[F718092216](#) [AX104024](#) [AX100068](#) [AX103256](#) [501048-1](#) [E39R37](#) [181-048-16](#) [60926](#) [98039-003LF](#) [A0407006](#) [60923](#) [60921](#) [906-122-5047](#) [2102321-1](#) [F81ELBNNNSNM003](#) [F81ELBNNNSNM005](#) [F81ELBNNNSNM010](#) [FAP6WWDLCZ](#) [FHMPW-6-ABL](#) [FHMPW-6-BCG](#) [FQMAP65W](#) [FHC39N-08-10A](#) [FHC3XO-08-10A](#) [FHC3XO-08-10B](#) [FHC3ZO-08-10A](#) [FHC3ZO-08-10B](#) [FHC3ZA-08-10A](#) [FHC3ZA-08-10B](#) [FC2WA-12-10AS](#) [FHCXO-20F-10A](#) [FHCXO-24F-10A](#) [FC39N-16-10A](#) [FLCS2/9SOCA9AG](#) [FLCS2/9SOCPXAQ](#) [FLCS2/9SOCU9BU](#) [FSCS2/9SOCA9AG](#) [FSCS2/9SOCPXAQ](#) [FSCS2/9SOCU9BU](#) [FC29N-12-10U](#) [LXCRN1C1CL1N](#) [9446W14S-6S](#) [9442W14S-5S](#) [F780904000](#) [944-1023](#) [1534631-1](#) [181-035-1000](#) [20100014231](#) [F718111220](#) [F718190204](#) [17-300940](#)