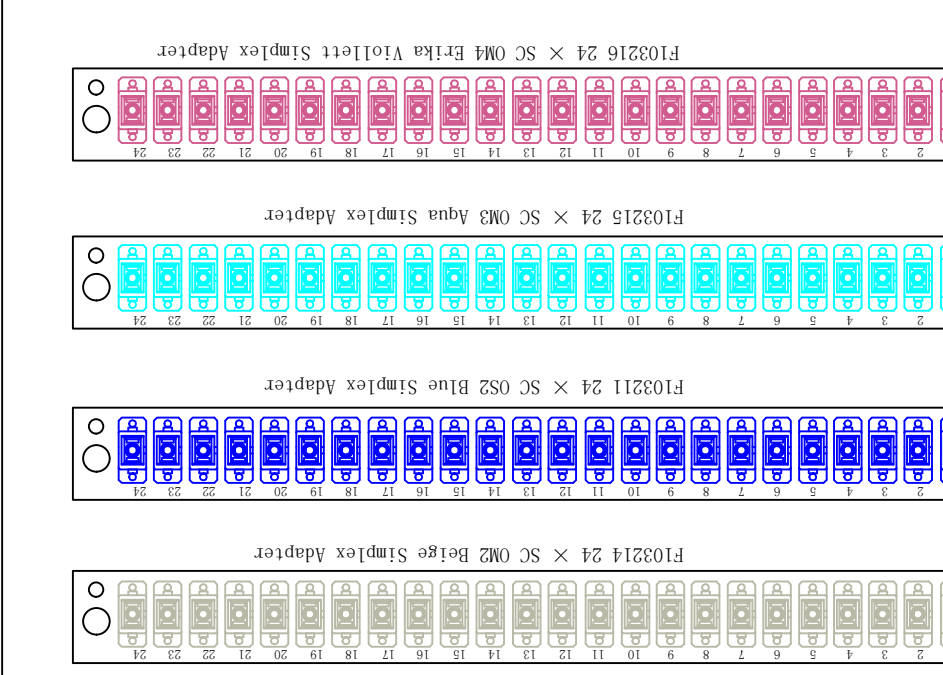


BY	CHK	REVISION RECORD MODIFICATIONS		DATE	REV.
		NEW		2016.08.25	A
		ITEM NO.	PRODUCT NAME	DRAWNBY	CHECKBY
			19" Fiber Optic Patch Panel, Fully loaded 10" pigtail	APPOBY	
		UNIT		DATE	2016.08.25

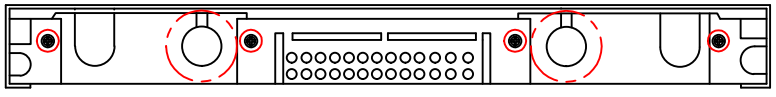
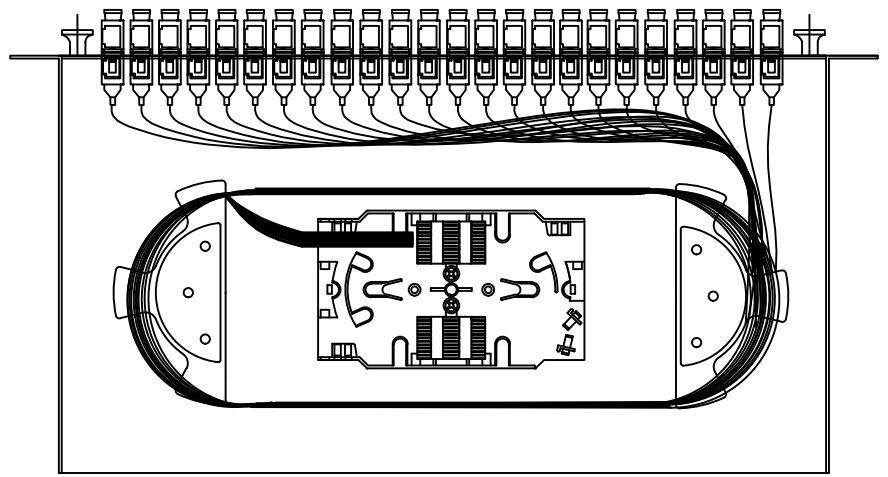
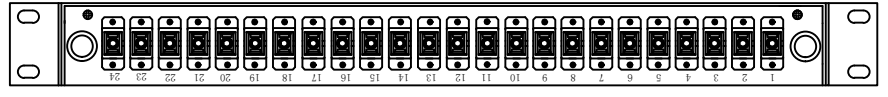
NO.	PARTS NAME	SPECIFICATION DESCRIPTION	QTY	REMARK
①	Adapter	SC Simplex Adapter	24	
②	Pigtail	Pigtail SC 12 different colours	2	
③	Splicing tray	24 Core Splicing tray	1	
④	Spool	Fibre cable management Spool	2	
⑤	Push pin	ABS OD:15.8	2	
⑥	Screw	ST 2*10 Screw	48	

MATERIAL LIST:

NOTE:
 1. Black(RAL 9005) matt black surface treatment
 2. 1 2 3 424 Font Arial
 3. packing:IPCS/PE BAG+inner box +label



19" 1U Fiber Optic Patch panel Front panel for 24 × SC simplex Adapter vertical , Black

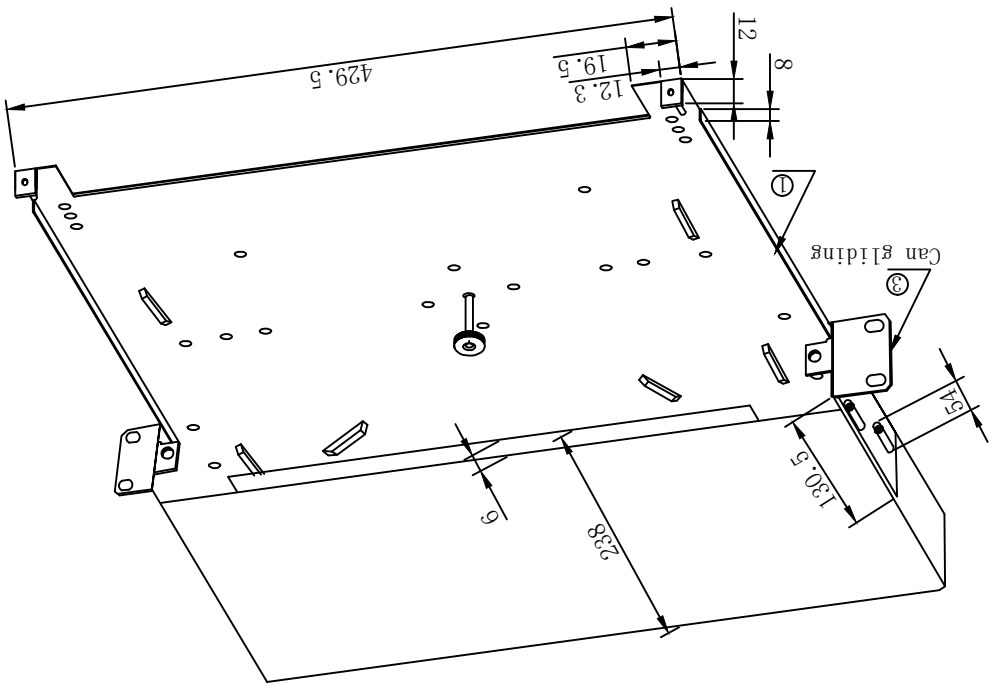
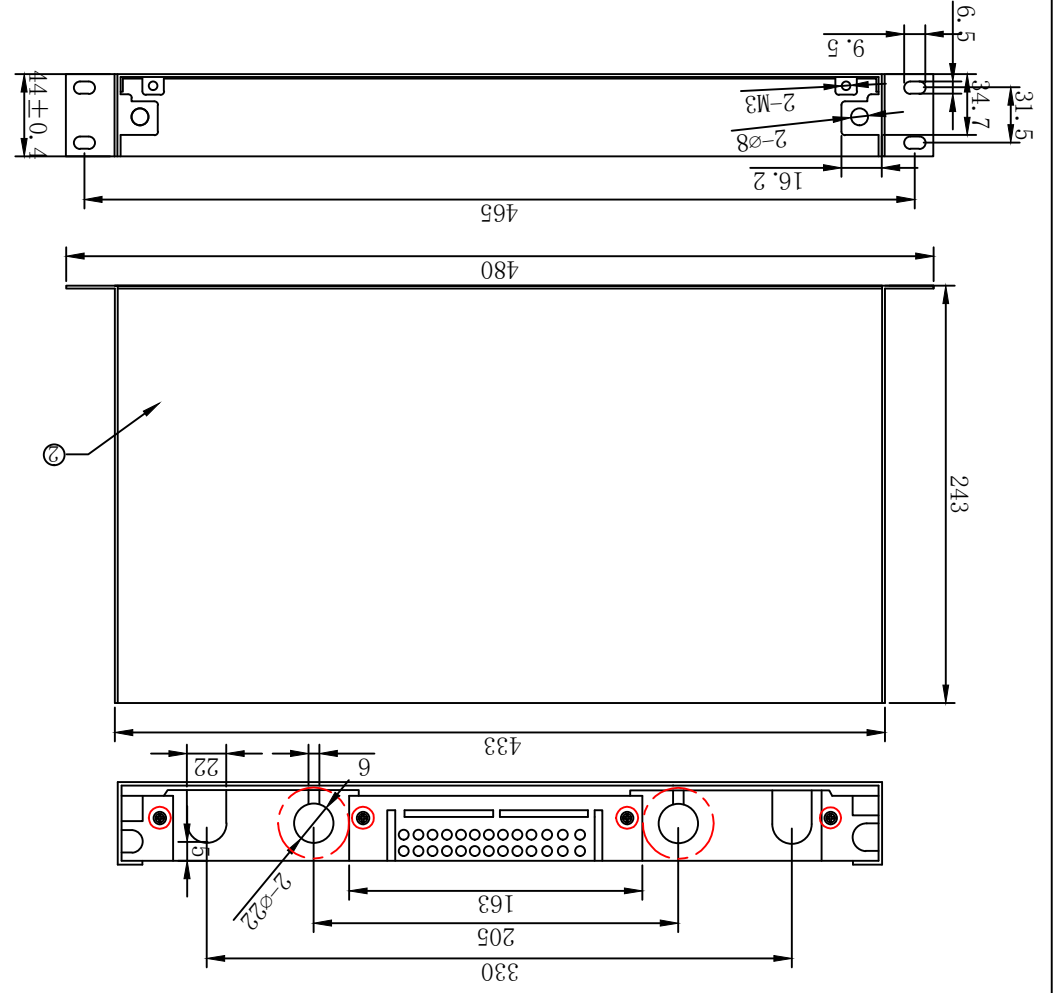


BY	CHK	REVISION RECORD MODIFICATIONS		DATE	REV.
		NEW		2016.08.25	A
		PRODUCT NAME	DRAWNBY	CHECKRBY	APPROBY
		19" Fiber Optic Patch Panel, 1U" sliding type			
		ITEM NO.	UNIT	DATE	2016.08.25

NO.	PARTS NAME	SPECIFICATION DESCRIPTION	QTY	REMARK
①	Bottom Panel	1.0mm thickness Metallic Panel with plastic powder cladding	1	
②	Upper Panel Cover	1.0mm thickness Metallic Panel with plastic powder cladding	1	
③	Mounting	1.5mm thickness Metallic Panel with plastic powder cladding	2	
④	Front panel	1.0mm thickness Metallic Panel with plastic powder cladding	1	
⑤	Push pin	ABS OD:15.8	2	

MATERIAL LIST:

NOTE:
 RoHS 2.0 COMPLIANT
 19" Fiber Optic Patch Panel, 1U" Sliding Type
 Changeable Front Panel
 Bottom panel 45° degree clipable
 Colour: Black (RAL 9005)
 Accessory: Screw and Nut M6*18mm x 4set
 Cable Glands PG13.5 x 2 pcs
 Cable Tie 2.2*80mm x 6 pcs



BY	CHK	REVISION RECORD MODIFICATIONS	DATE	REV.	DRAWNBY	CHECKBY	APPROBY	DATE
		NEW	2016.08.25	A				2016.08.25

ITEM NO.	PRODUCT NAME
	SC/APC Green(ceramic)Simplex plastic Adapter
ITEM NO.	2Direct Gmbh

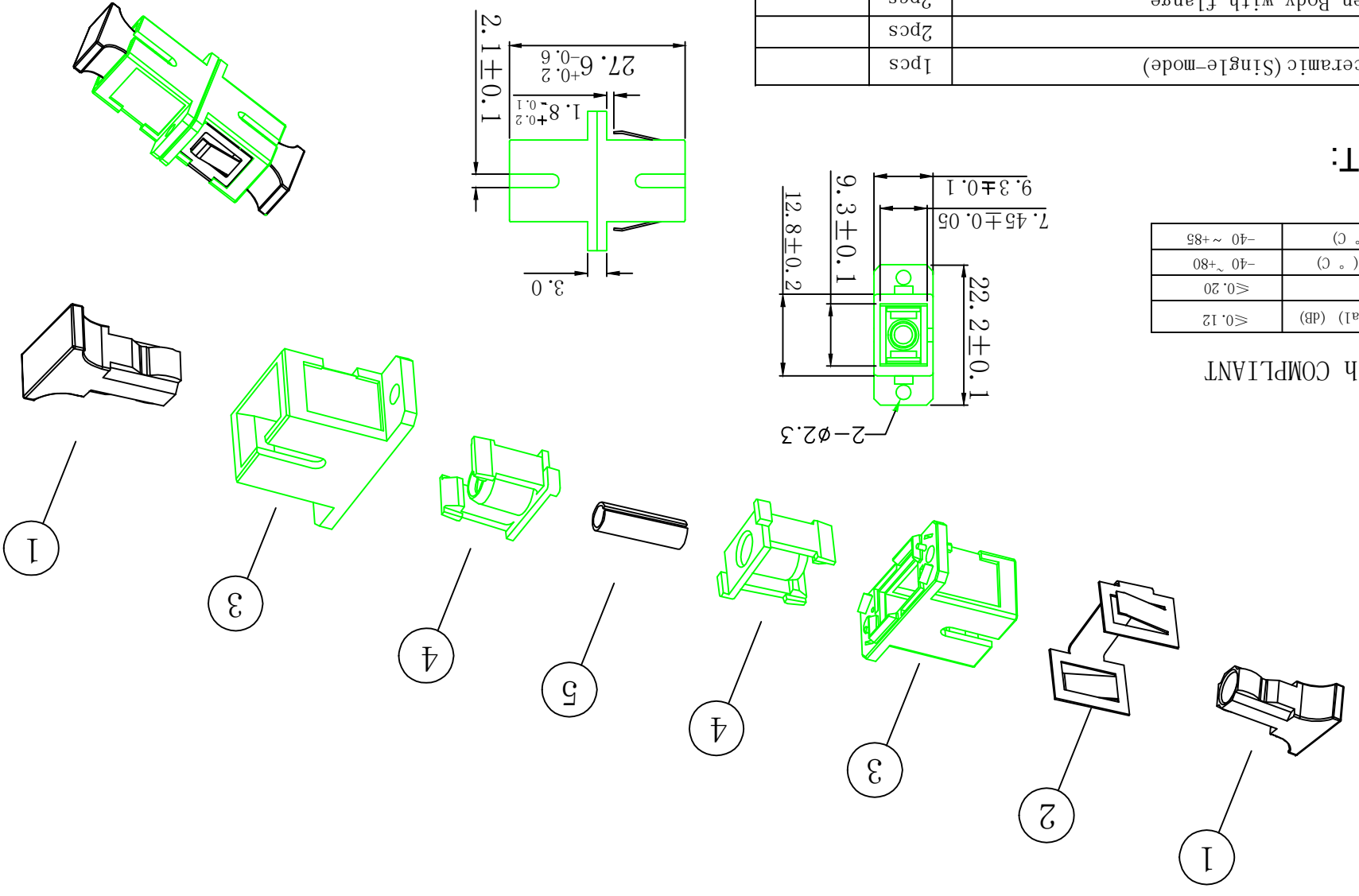
UNIT	MM
Page 1 of 1	

NO.	SPECIFICATION STANDARD	QTY	REMARK
①	SC Black Dust Cap	2pcs	
②	SC Metal Mount	1pcs	
③	SC Simplex Green Body with flange	2pcs	
④	SC GREEN Bush	2pcs	
⑤	SC/APC Sleeve ceramic(Single-mode)	1pcs	

MATERIAL LIST:

Insertion Loss (typical) (dB)	≤0.12
Insertion Loss (dB)	≤0.20
Operating Temperature (°C)	-40 ~ +80
Storage Temperature (°C)	-40 ~ +85

NOTE:
RoHS 2.0 & Reach COMPLIANT



BY	CHK	REVISION RECORD MODIFICATIONS		DATE	REV.	DRAWNBY	CHECKBY	APPROBY	DATE
		NEW		2016.08.25	A				

PRODUCT NAME	SC MM Erika violet (ceramic Simplex plastic Adapter)
ITEM NO.	2Direct GmbH

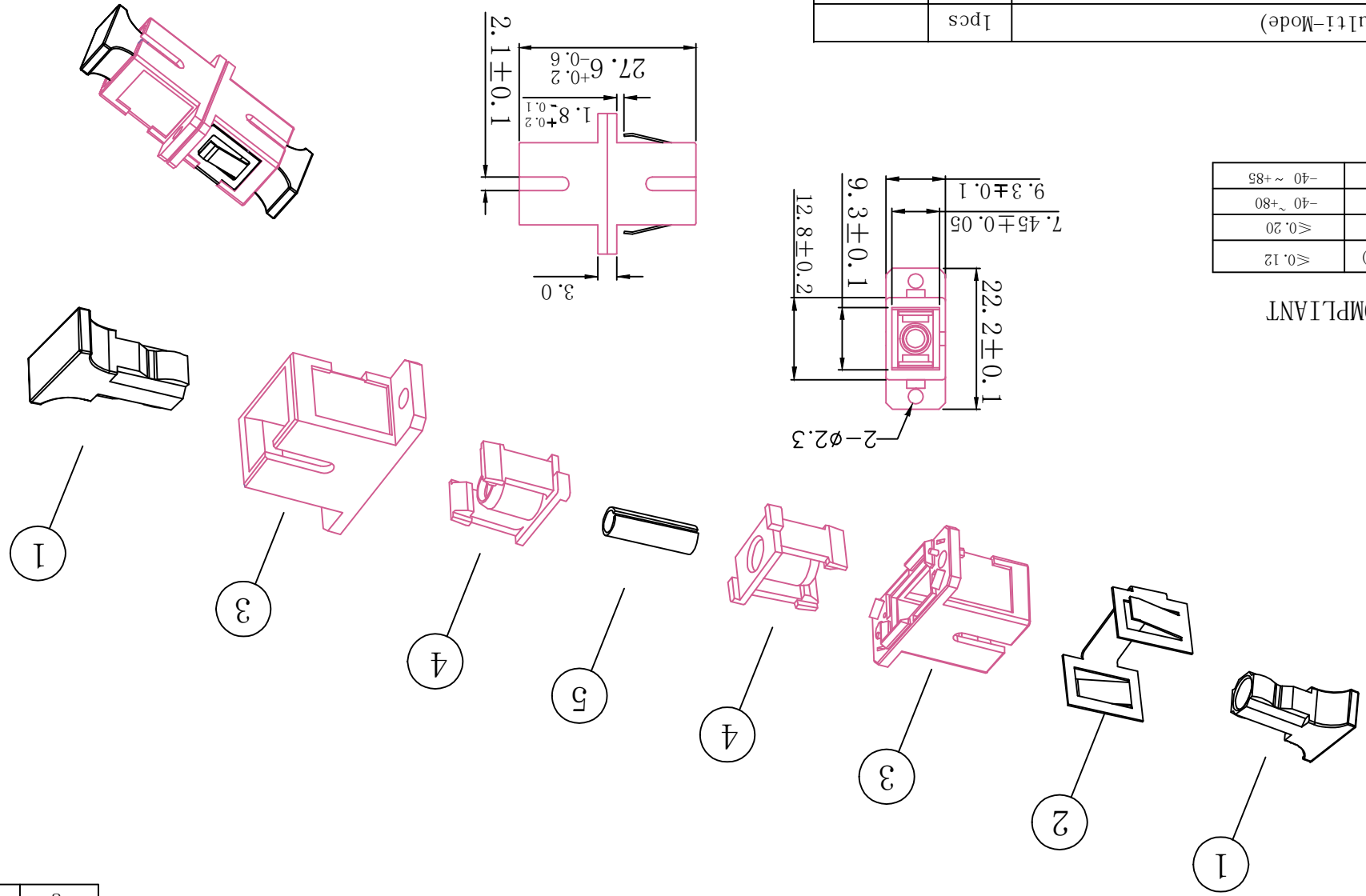
UNIT	MM
------	----

NO.	SPECIFICATION STANDARD	QTY	REMARK
①	SC Black Dust Cap	2pcs	
②	SC Metal Mount	1pcs	
③	SC Simplex Erika violet Body with flange	2pcs	
④	SC Erika violet Bush	2pcs	
⑤	SC Sleeve ceramic (Multi-Mode)	1pcs	

MATERIAL LIST:

Insertion Loss (typical) (dB)	≤0.12
Insertion Loss (dB)	≤0.20
Operating Temperature (°C)	-40 ~ +80
Storage Temperature (°C)	-40 ~ +85

NOTE:
RoHS 2.0 & Reach COMPLIANT



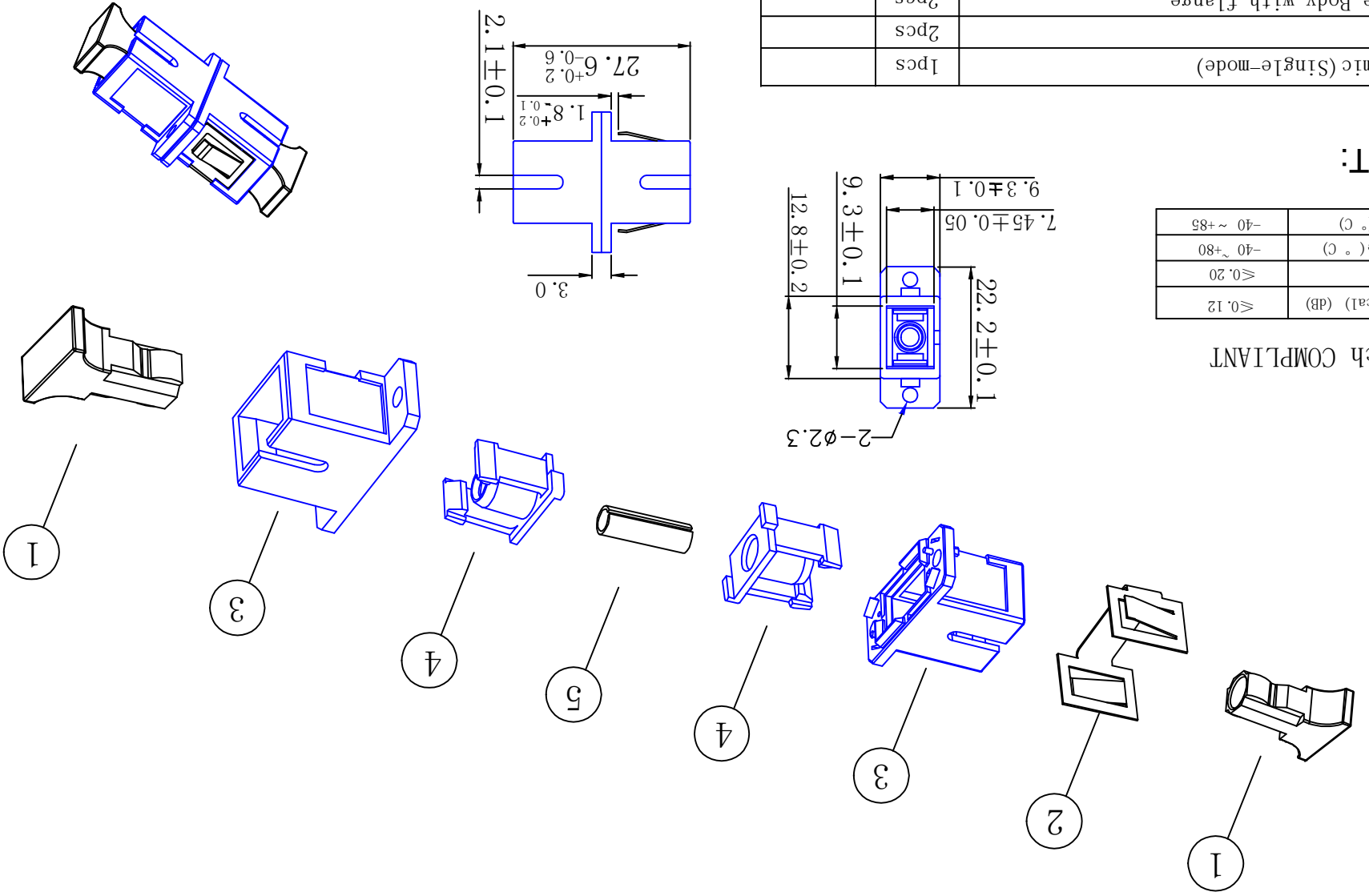
BY	CHK	REVISION RECORD MODIFICATIONS		DATE	REV.	DRAWNBY	CHECKBY	APPROBY	2016-0-2
		NEW		2016-0-2	A	NAME	SC SM blue (ceramic)	ITEM NO.	2016-0-2
						PRODUCT	Simplex plastic Adapter	ITEM NO.	
							2Direct GmbH	UNIT	MM

NO.	SPECIFICATION STANDARD	QTY	REMARK
①	SC Black Dust Cap	2pcs	
②	SC Metal Mount	1pcs	
③	SC Simplex Blue Body with flange	2pcs	
④	SC Blue Bush	2pcs	
⑤	SC Sleeve Ceramic (Single-mode)	1pcs	

MATERIAL LIST:

Storage Temperature(°C)	-40 ~ +85
Operating Temperature(°C)	-40 ~ +80
Insertion Loss (dB)	≤0.20
Insertion Loss (typical) (dB)	≤0.12

NOTE:
RoHS 2.0 & Reach COMPLIANT



LogiLink Professional F24SS2/3/4

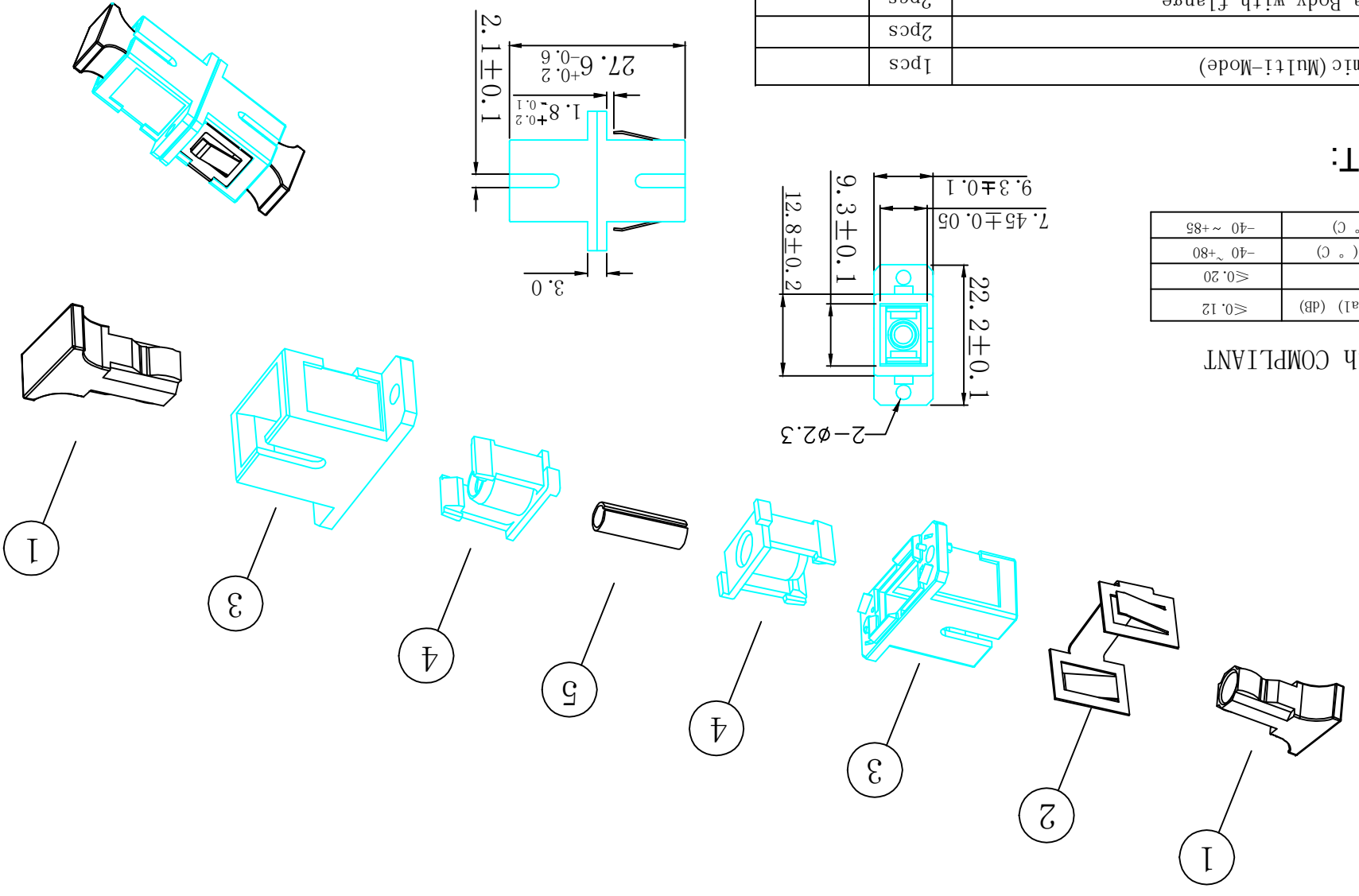
BY	CHK	REVISION RECORD MODIFICATIONS	DATE	REV.	DRAWNBY	CHECKBY	APPROBY	2016-0-2
		NEW	2016-0-2	A				
PRODUCT NAME		SC MM Aqua (ceramic) Simplex plastic Adapter	ITEM NO.	1	UNIT	MM		

NO.	SPECIFICATION STANDARD	QTY	REMARK
⑤	SC Sleeve ceramic (Multi-Mode)	1pcs	
④	SC Aqua Bush	2pcs	
③	SC Simplex Aqua Body with flange	2pcs	
②	SC Metal Mount	1pcs	
①	SC Black Dust Cap	2pcs	

MATERIAL LIST:

Insertion Loss (typical) (dB)	≤0.12
Insertion Loss (dB)	≤0.20
Operating Temperature (°C)	-40 ~ +80
Storage Temperature (°C)	-40 ~ +85

NOTE: RoHS 2.0 & Reach COMPLIANT

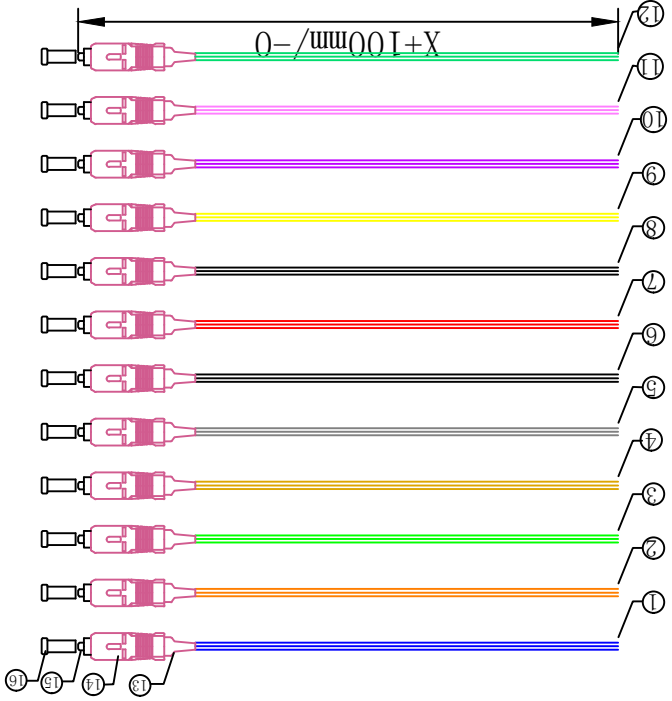


LogiLink Professional F24SS2/3/4	ITEM NO.	2Direct GmbH
----------------------------------	----------	--------------

NOTE:
The primary coating and secondary coating
have the same color
RoHS 2.0 Compliant

NO	SPECIFICATION STANDARD		QTY	REMARK
①	Fiber Cable	LOSE TUBE MM OM4 50/125 0.9mm BLUE LSZH	Xm	
②	Fiber Cable	LOSE TUBE MM OM4 50/125 0.9mm ORANGE LSZH	Xm	
③	Fiber Cable	LOSE TUBE MM OM4 50/125 0.9mm GREEN LSZH	Xm	
④	Fiber Cable	LOSE TUBE MM OM4 50/125 0.9mm BROWN LSZH	Xm	
⑤	Fiber Cable	LOSE TUBE MM OM4 50/125 0.9mm GREY LSZH	Xm	
⑥	Fiber Cable	LOSE TUBE MM OM4 50/125 0.9mm WHITE LSZH	Xm	
⑦	Fiber Cable	LOSE TUBE MM OM4 50/125 0.9mm RED LSZH	Xm	
⑧	Fiber Cable	LOSE TUBE MM OM4 50/125 0.9mm BLACK LSZH	Xm	
⑨	Fiber Cable	LOSE TUBE MM OM4 50/125 0.9mm YELLOW LSZH	Xm	
⑩	Fiber Cable	LOSE TUBE MM OM4 50/125 0.9mm VIOLET LSZH	Xm	
⑪	Fiber Cable	LOSE TUBE MM OM4 50/125 0.9mm PINK LSZH	Xm	
⑫	Fiber Cable	LOSE TUBE MM OM4 50/125 0.9mm TURQUOISE LSZH	Xm	
⑬	SC 0.9 Erika	violet Boot	12	
⑭	SC MM 0.9 Erika	violet Connector	12	
⑮	SC/UPC MM Ferrule	126-128um	12	
⑯	SC Transparent	Dust Cap	12	

BY	CHK	REVISION RECORD MODIFICATIONS	DATE	REV.	DRAWNBY	CHECKBY	APPOBY	DATE	2016.08.25
		NEW	2016.08.25	A					
					PRODUCT	12 different colors	ITEM NO.	UNIT	MM

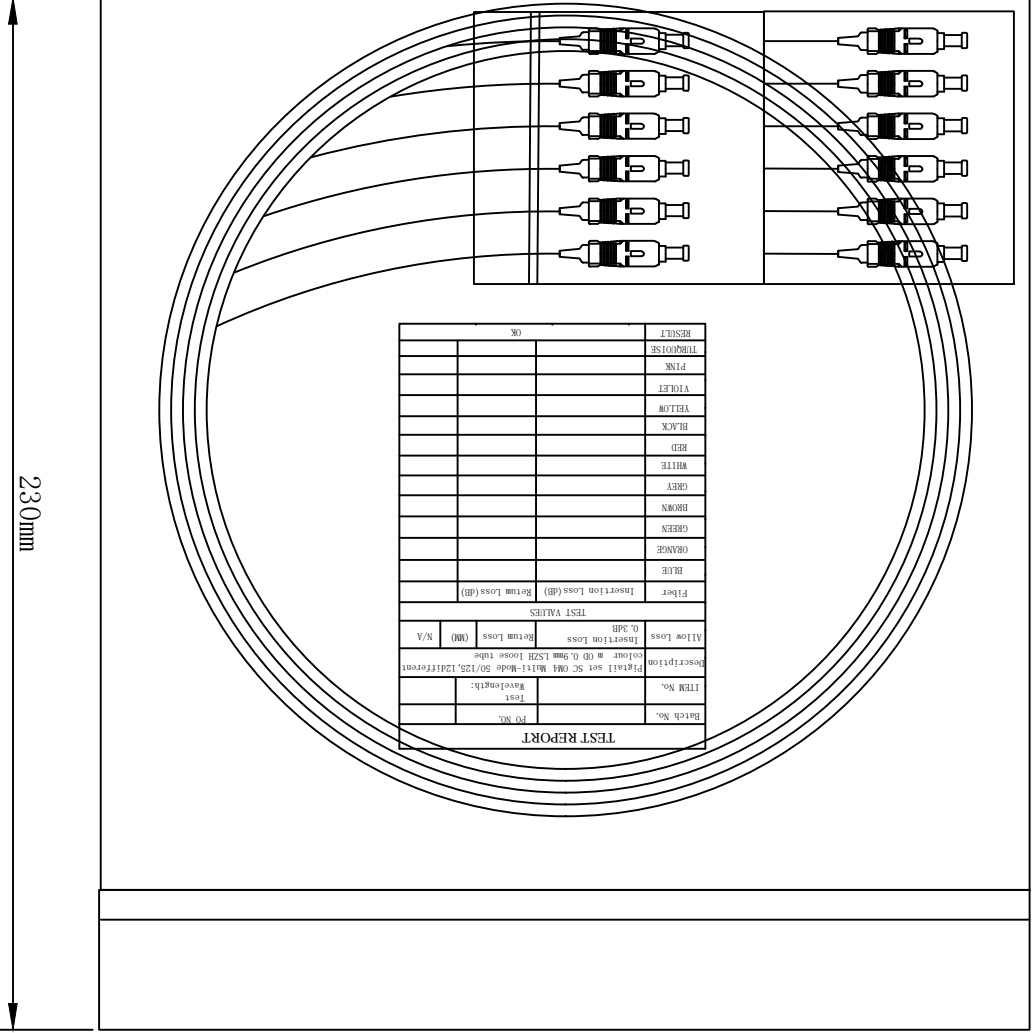


Type	Multi-Mode
Insertion Loss	<=0.3dB
Return Loss	NA
Test Wavelength	850nm

BY	CHK	REVISION RECORD MODIFICATIONS	DATE	REV.	DRAWNBY	CHECKBY	APPROBY	DATE
		NEW	2016.08.25	A				2016.08.25
					PRODUCT NAME	12 different colours	ITEM NO. 1	UNIT MM

2Direct GmbH		ITEM NO.
--------------	--	----------

TEST REPORT			
Batch No.	PO NO.	Test	Wavelength:
ITEM No.			
Description	Pigtail set SC OM4 Multi-Mode 50/125, 12different colour xm OD 0.9mm LSZH loose tube		
Allow Loss	Insertion Loss	Return Loss	(MM)
	0.3dB		N/A
TEST VALUES			
Fiber	Insertion Loss (dB)	Return Loss (dB)	
BLUE			
ORANGE			
GREEN			
BROWN			
GREY			
WHITE			
RED			
BLACK			
YELLOW			
VIOLET			
PINK			
TURQUOISE			
RESULT	OK		



TEST REPORT			
Batch No.	PO NO.	Test	Wavelength:
ITEM No.			
Description	Pigtail set SC OM4 Multi-Mode 50/125, 12different colour xm OD 0.9mm LSZH loose tube		
Allow Loss	Insertion Loss	Return Loss	(MM)
	0.3dB		N/A
TEST VALUES			
Fiber	Insertion Loss (dB)	Return Loss (dB)	
BLUE			
ORANGE			
GREEN			
BROWN			
GREY			
WHITE			
RED			
BLACK			
YELLOW			
VIOLET			
PINK			
TURQUOISE			
RESULT	OK		

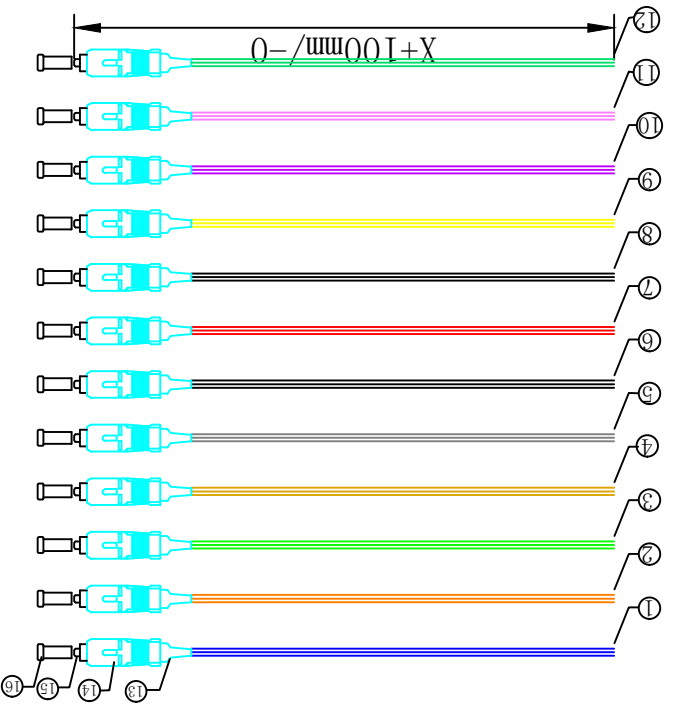
NOTE:
The primary coating and secondary coating
have the same color
ROHS 2.0 Compliant

NO	SPECIFICATION STANDARD	QTY	REMARK
①	Fiber Cable LOOSE TUBE MM OM3 50/125 0.9mm BLUE LSZH	Xm	
②	Fiber Cable LOOSE TUBE MM OM3 50/125 0.9mm ORANGE LSZH	Xm	
③	Fiber Cable LOOSE TUBE MM OM3 50/125 0.9mm GREEN LSZH	Xm	
④	Fiber Cable LOOSE TUBE MM OM3 50/125 0.9mm BROWN LSZH	Xm	
⑤	Fiber Cable LOOSE TUBE MM OM3 50/125 0.9mm GREY LSZH	Xm	
⑥	Fiber Cable LOOSE TUBE MM OM3 50/125 0.9mm WHITE LSZH	Xm	
⑦	Fiber Cable LOOSE TUBE MM OM3 50/125 0.9mm RED LSZH	Xm	
⑧	Fiber Cable LOOSE TUBE MM OM3 50/125 0.9mm BLACK LSZH	Xm	
⑨	Fiber Cable LOOSE TUBE MM OM3 50/125 0.9mm YELLOW LSZH	Xm	
⑩	Fiber Cable LOOSE TUBE MM OM3 50/125 0.9mm VIOLET LSZH	Xm	
⑪	Fiber Cable LOOSE TUBE MM OM3 50/125 0.9mm PINK LSZH	Xm	
⑫	Fiber Cable LOOSE TUBE MM OM3 50/125 0.9mm TURQUOISE LSZH	Xm	
⑬	SC 0.9 Aqua Boot	12	
⑭	SC MM 0.9 Aqua Connector	12	
⑮	SC/UPC MM Ferrule 126-128um	12	
⑯	SC Transparent Dust Cap	12	

BY	CHK	REVISION RECORD MODIFICATIONS	DATE	REV.	DRAWNBY	CHECKBY	APPROBY	DATE
		NEW	2016.08.25	A				2016.08.25

ITEM NO.	ITEM NO.	2Direct Gmbh
UNIT	MM	

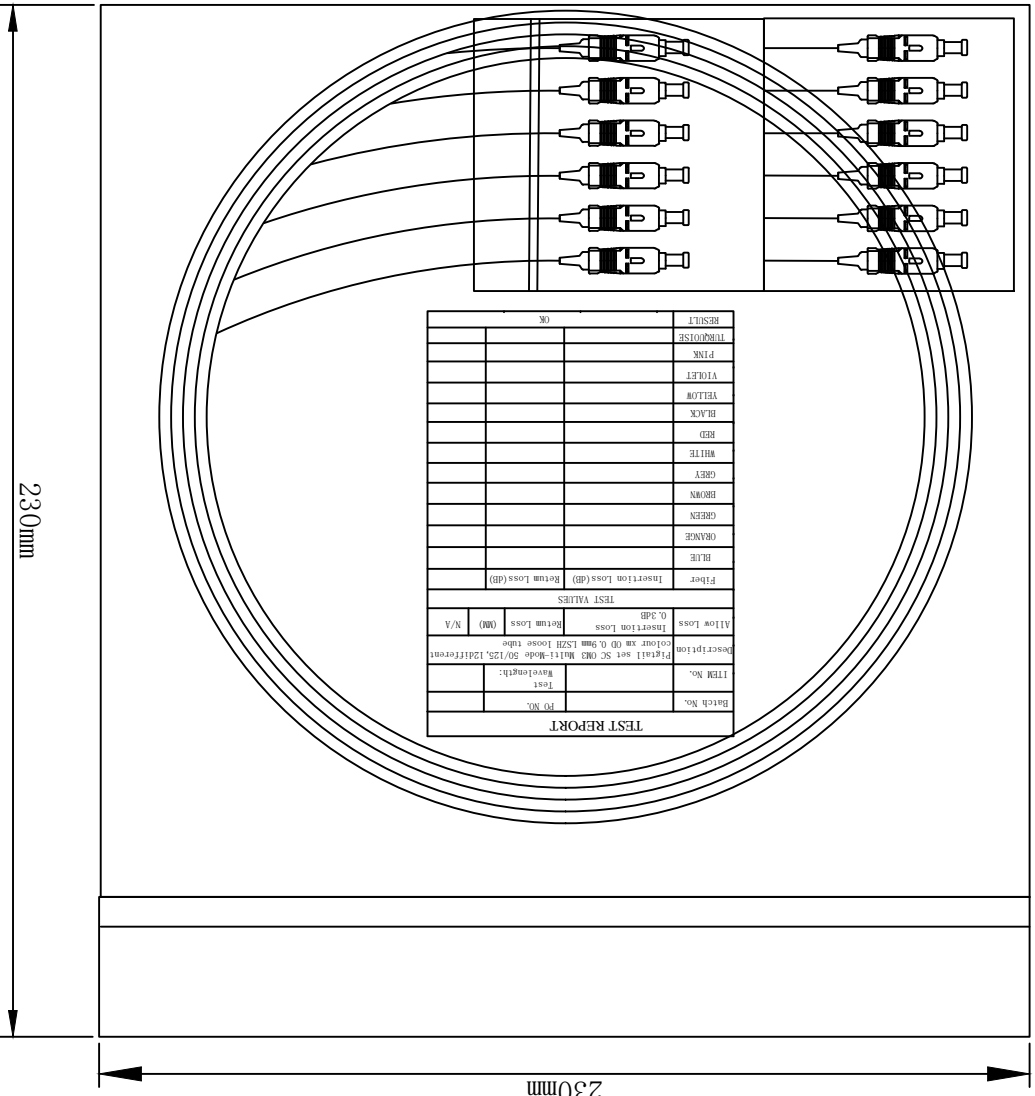
PRODUCT	Pligtalset SC/UPC OM3	Test Wavelength	850nm
NAME	50/125µm 12 different colors	Return Loss	NA
		Insertion Loss	<=0.3dB
		Type	Multi-Mode



BY	CHK	REVISION RECORD MODIFICATIONS	DATE	REV.	DRAWNBY	CHECKBY	APPROBY	DATE
		NEW	2016.08.25	A				2016.08.25
					PRODUCT	NAME	ITEM NO.	UNIT
					Pigtail set SC/PC OM3	50/125 μm 12 different colours	1	MM

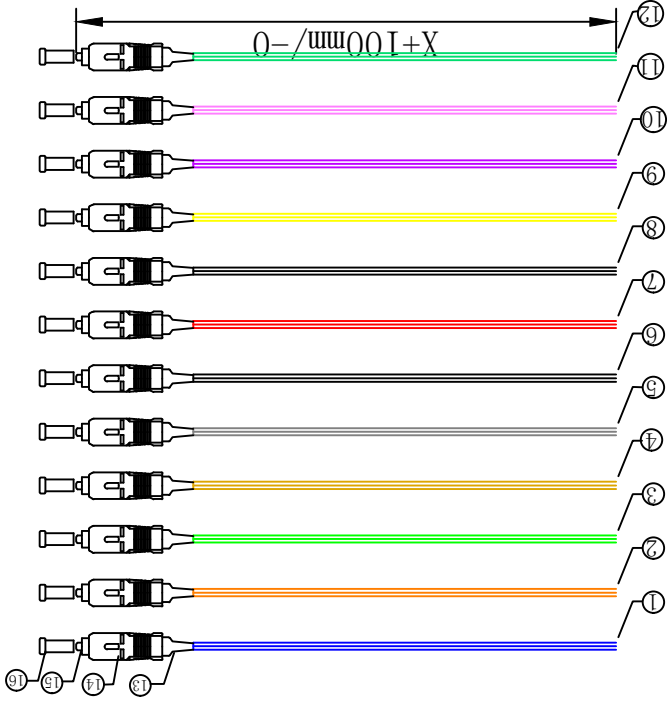
	2Direct Gmbh	ITEM NO.

TEST REPORT			
Batch No.	PO NO.	Test	Wavelength:
ITEM No.			
Description	Pigtail set SC OM3 Multi-Mode 50/125, 12different colour xm OD 0.9mm LSZH loose tube		
Allow Loss	Insertion Loss	Return Loss	(MM) N/A
	0.3dB		
TEST VALUES			
Fiber	Insertion Loss (dB)	Return Loss (dB)	
BLUE			
ORANGE			
GREEN			
BROWN			
GREY			
WHITE			
RED			
BLACK			
YELLOW			
VIOLET			
PINK			
TURQUOISE			
RESULT	OK		



NOTE:
The primary coating and secondary coating
have the same color
ROHS 2.0 Compliant

NO	SPECIFICATION STANDARD	QTY	REMARK
①	Fiber Cable LOOSE TUBE MM OM2 50/125 0.9mm BLUE LSZH	Xm	
②	Fiber Cable LOOSE TUBE MM OM2 50/125 0.9mm ORANGE LSZH	Xm	
③	Fiber Cable LOOSE TUBE MM OM2 50/125 0.9mm GREEN LSZH	Xm	
④	Fiber Cable LOOSE TUBE MM OM2 50/125 0.9mm BROWN LSZH	Xm	
⑤	Fiber Cable LOOSE TUBE MM OM2 50/125 0.9mm GREY LSZH	Xm	
⑥	Fiber Cable LOOSE TUBE MM OM2 50/125 0.9mm WHITE LSZH	Xm	
⑦	Fiber Cable LOOSE TUBE MM OM2 50/125 0.9mm RED LSZH	Xm	
⑧	Fiber Cable LOOSE TUBE MM OM2 50/125 0.9mm BLACK LSZH	Xm	
⑨	Fiber Cable LOOSE TUBE MM OM2 50/125 0.9mm YELLOW LSZH	Xm	
⑩	Fiber Cable LOOSE TUBE MM OM2 50/125 0.9mm VIOLET LSZH	Xm	
⑪	Fiber Cable LOOSE TUBE MM OM2 50/125 0.9mm PINK LSZH	Xm	
⑫	Fiber Cable LOOSE TUBE MM OM2 50/125 0.9mm TURQUOISE LSZH	Xm	
⑬	SC 0.9 Beige Boot	12	
⑭	SC MM 0.9 Beige Connector	12	
⑮	SC/UPC MM Ferrule 126-128um	12	
⑯	SC Transparent Dust Cap	12	



Type	Insertion Loss	Return Loss	Test Wavelength
Multi-Mode	<=0.3dB	NA	850nm

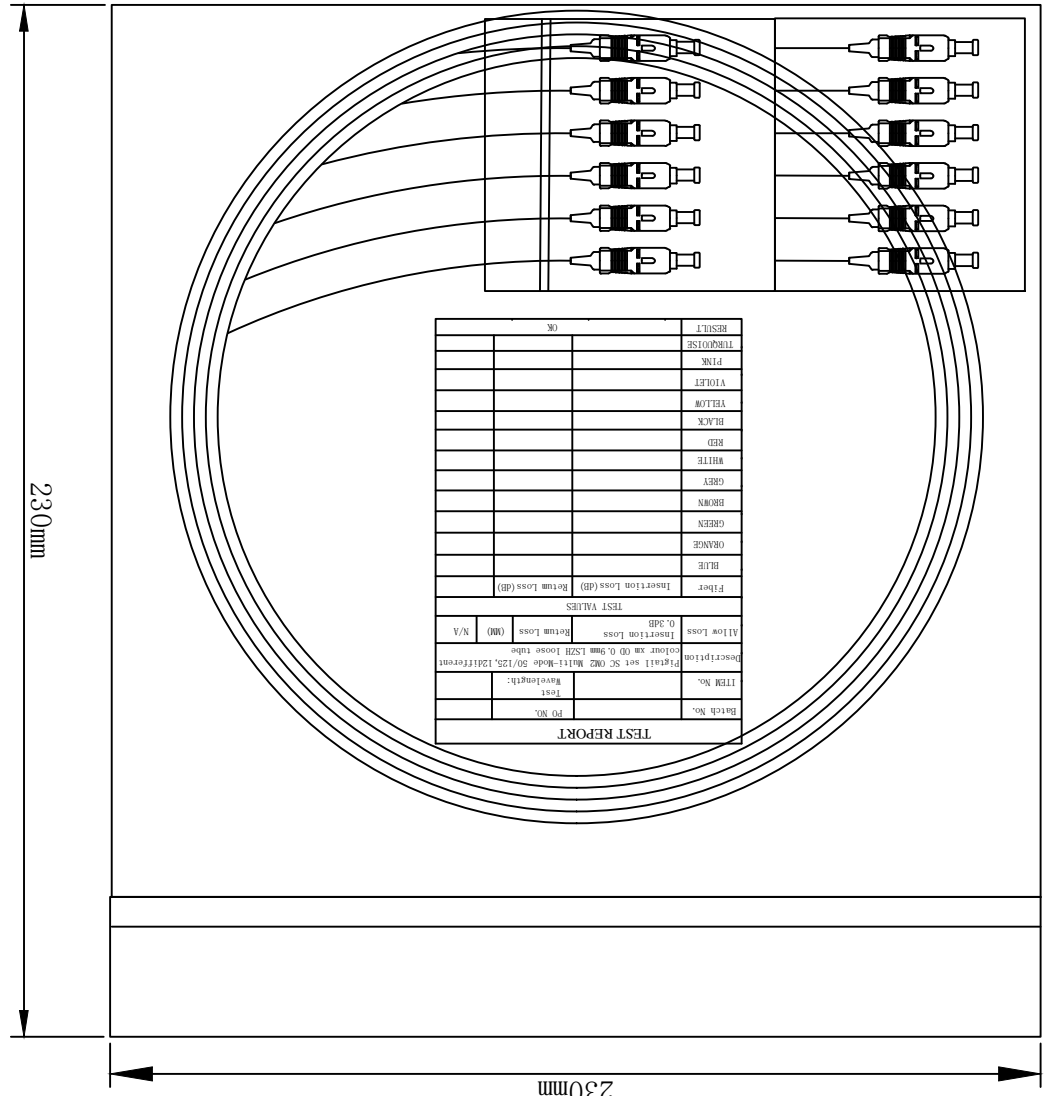
BY	CHK	REVISION RECORD MODIFICATIONS	DATE	REV.	DRAWNBY	CHECKBY	APPROBY	DATE
		NEW	2016.08.25	A				2016.08.25

PRODUCT NAME	SC/UPC OM2 50/125 μm	12 different colours	ITEM NO.	UNIT	MM
2Direct GmbH					

BY	CHK	REVISION RECORD MODIFICATIONS	DATE	REV.					
		NEW	2016.08.25	A	DRAWNBY	CHECKBY	APPROBY	DATE	2016.08.25
					PRODUCT	Figtail set SC/UPC OM2 50/125 μm	ITEM NO.	UNIT	MM
					NAME	12 different colours	ITEM NO.		

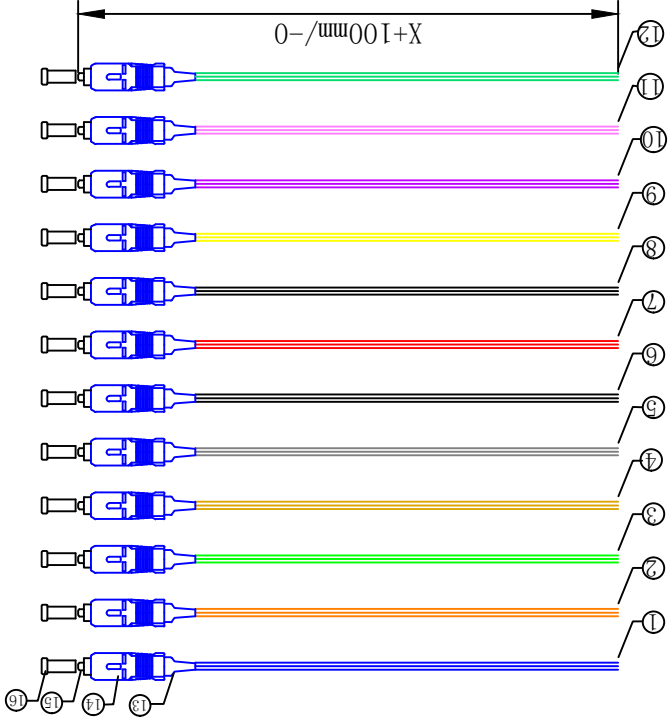
2Direct GmbH	ITEM NO.

TEST REPORT		PO NO.	
Batch No.		Test	
Item No.		Wavelength:	
Description	Figtail set SC OM2 Multi-Mode 50/125, 12different colour xm OD 0.9mm LSZH loose tube		
Allow Loss	Insertion Loss	Return Loss	(MM) N/A
	0.3dB		
TEST VALUES			
Fiber	Insertion Loss (dB)	Return Loss (dB)	
BLUE			
ORANGE			
GREEN			
BROWN			
BROWN			
GREY			
GREY			
WHITE			
RED			
RED			
BLACK			
BLACK			
YELLOW			
YELLOW			
VIOLET			
VIOLET			
PINK			
PINK			
TURQUOISE			
TURQUOISE			
RESULT	OK		



NOTE:
The primary coating and secondary coating
have the same color
ROHS 2.0 Compliant

NO	SPECIFICATION STANDARD		QT'Y	REMARK
①	Fiber Cable LOOSE TUBE SM 9/125 0.9mm BLUE LSZH	Xm		
②	Fiber Cable LOOSE TUBESM 9/125 0.9mm ORANGE LSZH	Xm		
③	Fiber Cable LOOSE TUBE SM 9/125 0.9mm GREEN LSZH	Xm		
④	Fiber Cable LOOSE TUBE SM 9/125 0.9mm BROWN LSZH	Xm		
⑤	Fiber Cable LOOSE TUBE SM 9/125 0.9mm GREY LSZH	Xm		
⑥	Fiber Cable LOOSE TUBE SM 9/125/125 0.9mm WHITE LSZH	Xm		
⑦	Fiber Cable LOOSE TUBE SM 9/125 0.9mm RED LSZH	Xm		
⑧	Fiber Cable LOOSE TUBE SM 9/125 0.9mm BLACK LSZH	Xm		
⑨	Fiber Cable LOOSE TUBE SM 9/125 0.9mm YELLOW LSZH	Xm		
⑩	Fiber Cable LOOSE TUBE SM 9/125 0.9mm VIOLET LSZH	Xm		
⑪	Fiber Cable LOOSE TUBE SM 9/125 0.9mm PINK LSZH	Xm		
⑫	Fiber Cable LOOSE TUBE SM 9/125 0.9mm TURQUOISE LSZH	Xm		
⑬	SC 0.9 Blue Boot	12		
⑭	SC SM 0.9 Blue Connector	12		
⑮	SC/UPC SM Ferrule 125-126um	12		
⑯	SC Transparent Dust Cap	12		



Type	Single-Mode
Insertion Loss	<=0.3dB
Return Loss	>=50dB
Test Wavelength	1310nm

BY	CHK	REVISION RECORD MODIFICATIONS	DATE	REV.	DRAWNBY	CHECKBY	APPOBY	DATE
		NEW	2016.08.25	A				2016.08.25

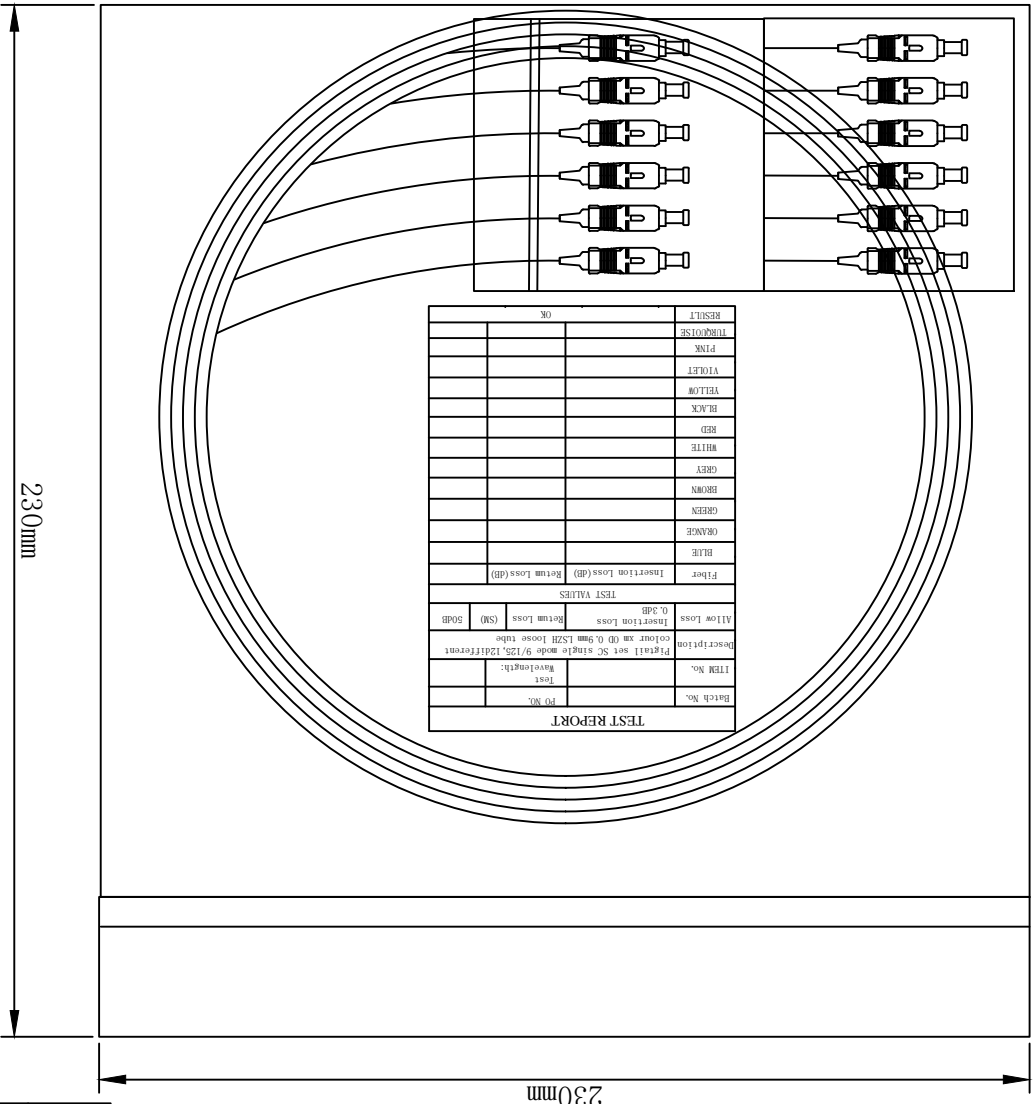
ITEM NO.	2Direct Gmbh
ITEM NO.	

PRODUCT	Pigtailsset SC/UPC 9/125 μm
NAME	12 different colors

UNIT	MM
ITEM NO.	1
DATE	
Page	1 of 2

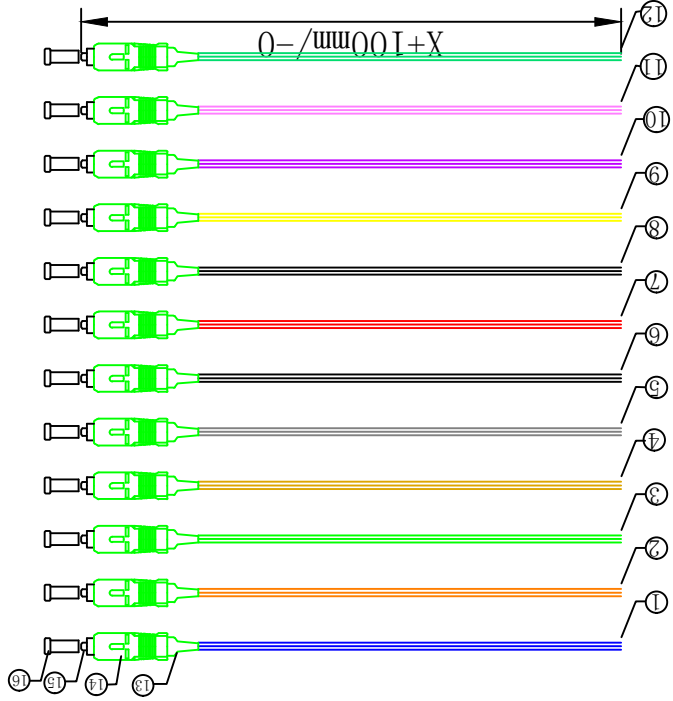
BY	CHK	REVISION RECORD MODIFICATIONS	DATE	REV.	DRAWNBY	CHECKBY	APPOBY	DATE
		NEW	2016.08.25	A				2016.08.25
					PRODUCT	12 different colors	ITEM NO.	UNIT
					Pigtails set SC/UPC 9/125 μm			MM
					2Direct GmbH		ITEM NO.	

TEST REPORT			
Batch No.	PO NO.		
ITEM No.	Test	Wavelength:	
Description	Pigtails set SC single mode 9/125, 12different colour xm OD 0.9mm LSZH loose tube		
Allow Loss	Insertion Loss	Return Loss (SM)	50dB
TEST VALUES			
Fiber	Insertion Loss (dB)	Return Loss (dB)	
BLUE			
ORANGE			
GREEN			
BROWN			
BROWN			
GREY			
WHITE			
RED			
BLACK			
YELLOW			
VIOLET			
PINK			
TURQUOISE			
RESULT	OK		



NOTE:
The primary coating and secondary coating
have the same color
ROHS 2.0 Compliant

NO	SPECIFICATION STANDARD		QTY	REMARK
①	Fiber Cable LOOSE TUBE SM 9/125 0.9mm BLUE LSZH	Xm		
②	Fiber Cable LOOSE TUBESM 9/125 0.9mm ORANGE LSZH	Xm		
③	Fiber Cable LOOSE TUBE SM 9/125 0.9mm GREEN LSZH	Xm		
④	Fiber Cable LOOSE TUBE SM 9/125 0.9mm BROWN LSZH	Xm		
⑤	Fiber Cable LOOSE TUBE SM 9/125 0.9mm GREY LSZH	Xm		
⑥	Fiber Cable LOOSE TUBE SM 9/125/125 0.9mm WHITE LSZH	Xm		
⑦	Fiber Cable LOOSE TUBE SM 9/125 0.9mm RED LSZH	Xm		
⑧	Fiber Cable LOOSE TUBE SM 9/125 0.9mm BLACK LSZH	Xm		
⑨	Fiber Cable LOOSE TUBE SM 9/125 0.9mm YELLOW LSZH	Xm		
⑩	Fiber Cable LOOSE TUBE SM 9/125 0.9mm VIOLET LSZH	Xm		
⑪	Fiber Cable LOOSE TUBE SM 9/125 0.9mm PINK LSZH	Xm		
⑫	Fiber Cable LOOSE TUBE SM 9/125 0.9mm TURQUOISE LSZH	Xm		
⑬	SC 0.9 Green Boot	12		
⑭	SC APC 0.9 Green Connector	12		
⑮	SC/APC 8° SM Ferrule 125-126um	12		
⑯	SC Transparent Dust Cap	12		



Type	Single-Mode
Insertion Loss	$<=0.3\text{dB}$
Return Loss	$>=60\text{dB}$
Test Wavelength	1310nm

BY	CHK	REVISION RECORD MODIFICATIONS	DATE	REV.	DRAWNBY	CHECKBY	APPROBY	DATE
		NEW	2016.08.25	A				2016.08.25

ITEM NO.	2Direct Gmbh
ITEM NO.	

PRODUCT	Pigtaiset SC/APC 9/125 μm
NAME	12 different colors

UNIT	MM
------	----

ITEM NO.	1
----------	---

DATE	
------	--

REV.	
------	--

DRAWNBY	
---------	--

CHECKBY	
---------	--

APPROBY	
---------	--

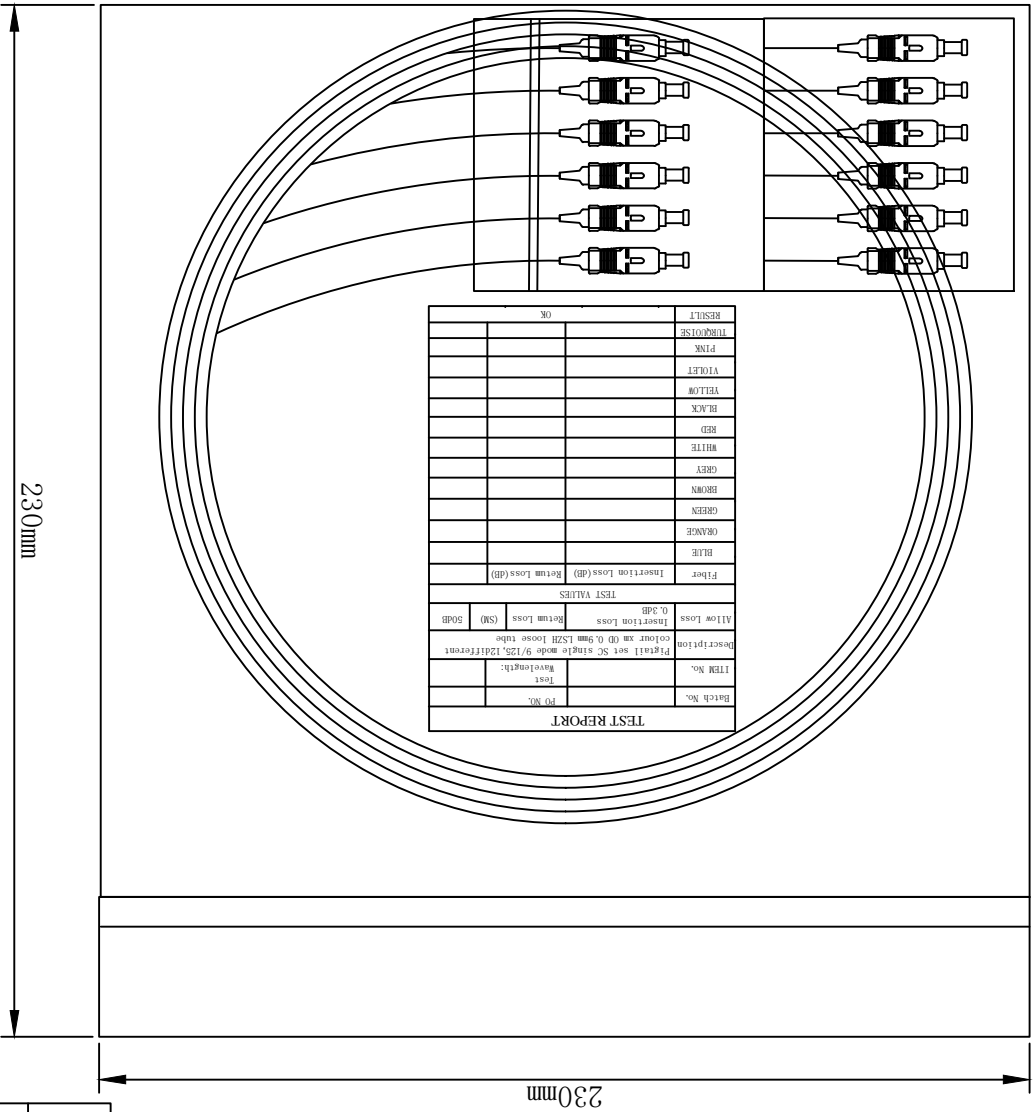
DATE	
------	--

2016.08.25	
------------	--

Page	1 of 2
------	--------

BY	CHK	REVISION RECORD MODIFICATIONS	DATE	REV.	DRAWNBY	CHECKBY	APPOBY	DATE	2016.08.25
		NEW	2016.08.25	A					
					PRODUCT	Pigtail set SC/APC 9/125 μm	ITEM NO.	UNIT	MM
						12 different colors			
						2Direct Gmbh	ITEM NO.		

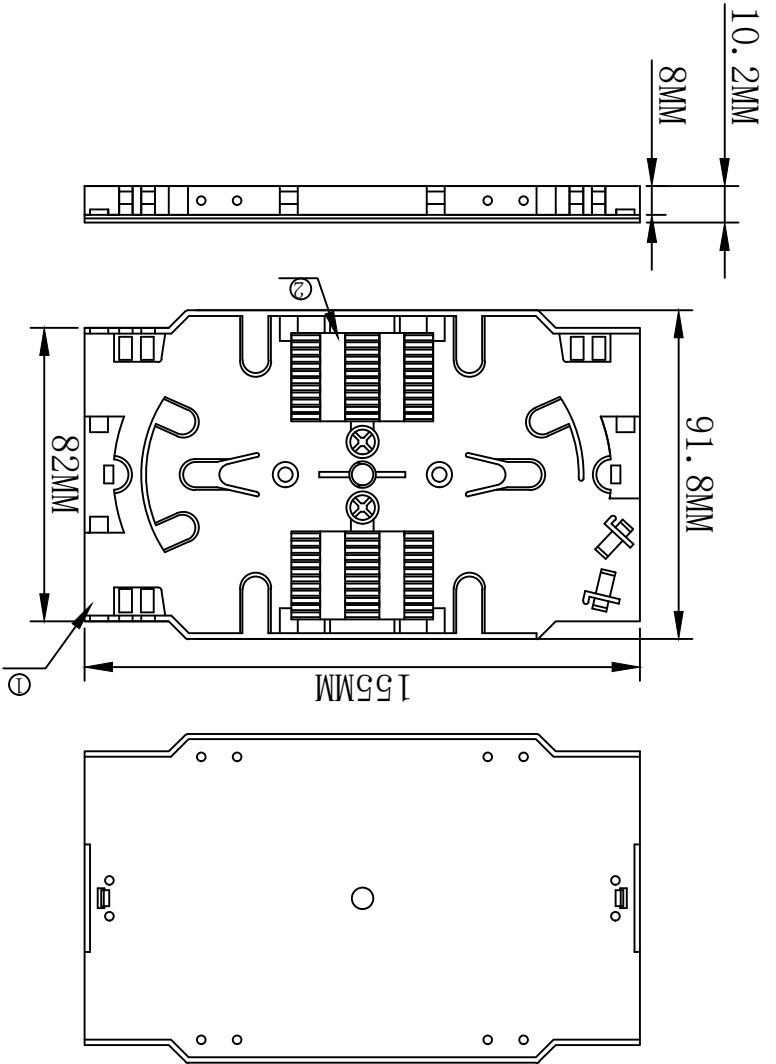
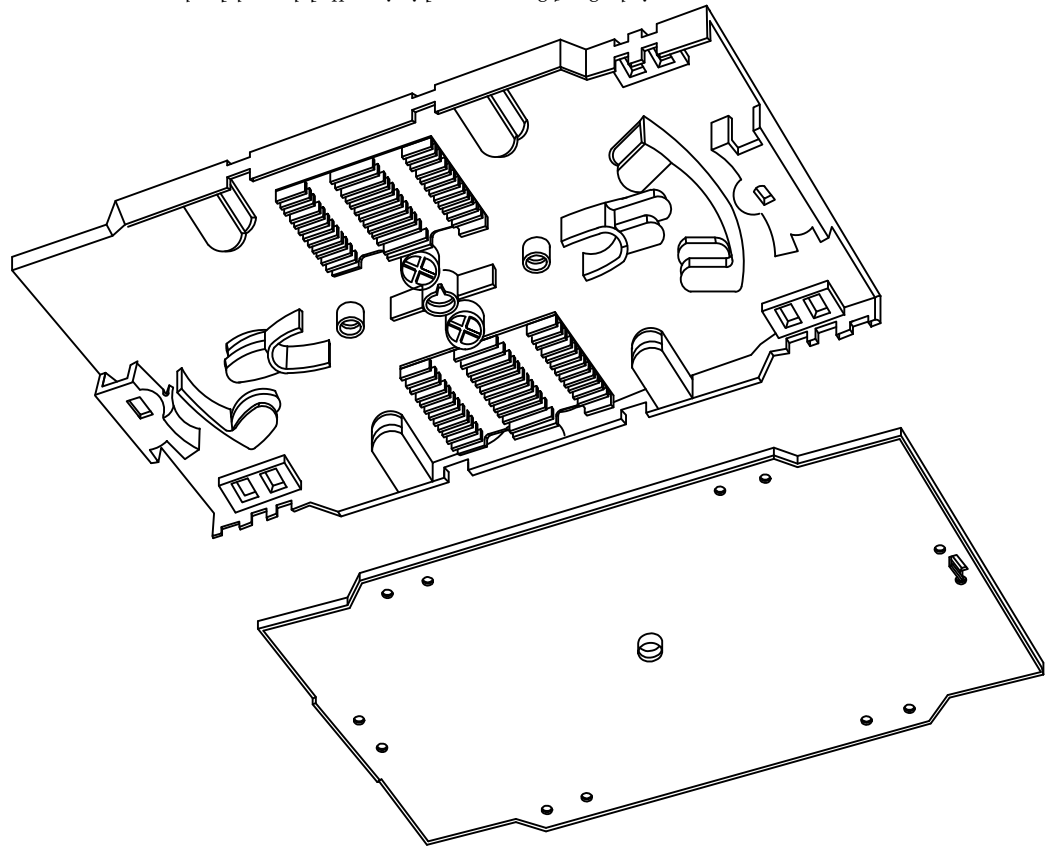
TEST REPORT		Batch No.	PO NO.	Item No.	Test	Wavelength:	Description	Pigtail set SC APC 9/125, 12different colour xm OD 0.9mm LSZH loose tube	Allow Loss	Insertion Loss	Return Loss	(APC)	60dB
TEST VALUES													
Fiber	Insertion Loss (dB)	Return Loss (dB)	OK										
BLUE													
ORANGE													
GREEN													
BROWN													
BROWN													
GREY													
WHITE													
RED													
BLACK													
YELLOW													
VIOLET													
PINK													
TURQUOISE													
RESULT	OK												



BY	CHK	REVISION RECORD MODIFICATIONS		DATE	REV.	DRAWNBY	CHECKBY	APPOBY	DATE
		NEW		2016.08.25	A				
NO.	PARTS NAME	SPECIFICATION DESCRIPTION		QTY	REMARK	PRODUCT NAME	ITEM NO.	UNIT	MM
①	Splic Holder	24 cores splicing tray, ABS/Beige		1		Splicing tray with 2pcs of 12core holders			
②	Splic Holder	ABS/Black		2					
						2Direct Gmbh	ITEM NO.		FB3001

MATERIAL LIST:

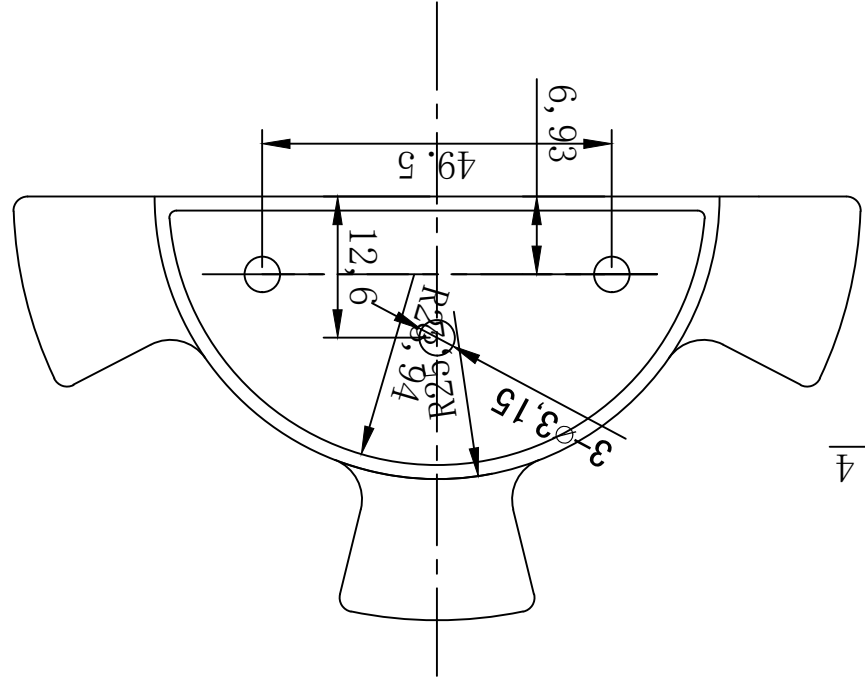
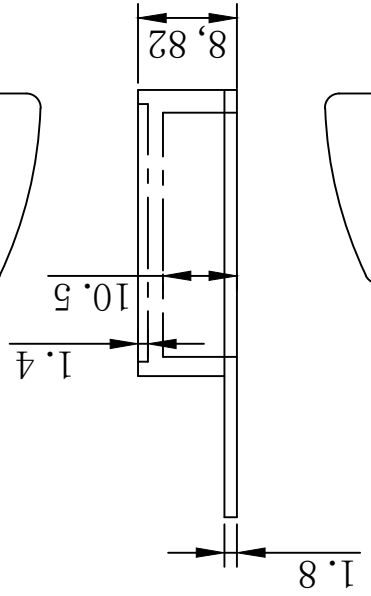
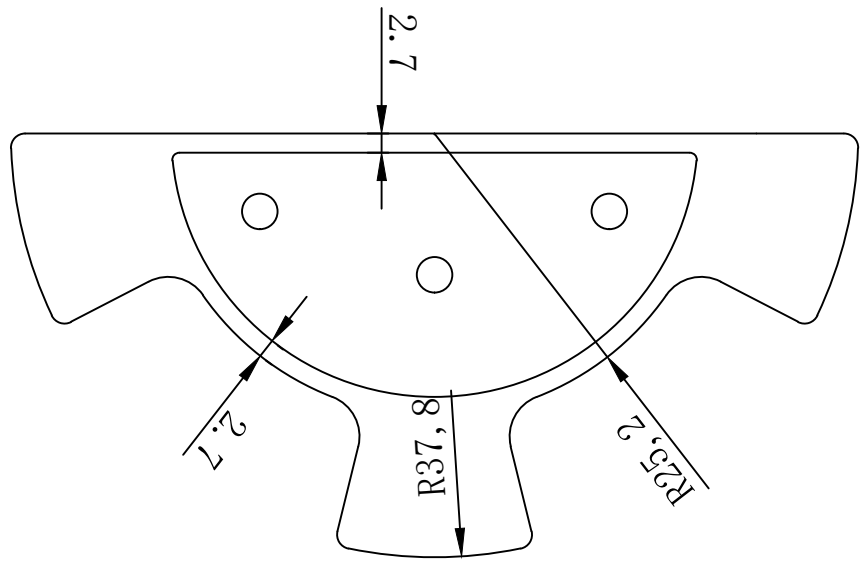
with 2* 12 core splicing Holder , black
 •Material:Plastic (Non fire retardant)
 •Color: beige
 •RoHS 2.0 and Reach Compliant
 Packing:1pcs/PE bag+label 1, 100pcs/inner
 carton+outer carton+label 3



BY	CHK	REVISION RECORD MODIFICATIONS		DATE	REV.	DRAWNBY		CHECKBY	APPOBY	DATE
		NEW		2016.08.25	A					2016.08.25
						PRODUCT NAME	Fibre cable management	ITEM NO.		UNIT
						Spool - Grey				MM

LogiLink Professional F24SS2/3/4
 2Direct Gmbh
 ITEM NO.

Note:
 1. COLOUR: ABS/GRAY
 2. ROHS2.0 COMPLIANT
 3. Accessory: Screw M3*8, Hex Nut M3*2.4



X-ON Electronics

Largest Supplier of Electrical and Electronic Components

Click to view similar products for [Fibre Optic Connectors](#) category:

Click to view products by [Logilink](#) manufacturer:

Other Similar products are found below :

[F718092216](#) [AX104024](#) [AX100068](#) [AX103256](#) [501048-1](#) [E39R37](#) [181-048-16](#) [60926](#) [98039-003LF](#) [A0407006](#) [60923](#) [60921](#) [906-122-5047](#) [2102321-1](#) [F81ELBNNNSNM003](#) [F81ELBNNNSNM005](#) [F81ELBNNNSNM010](#) [FAP6WWDLCZ](#) [FHMPW-6-ABL](#) [FHMPW-6-BCG](#) [FQMAP65W](#) [FHC39N-08-10A](#) [FHC3XO-08-10A](#) [FHC3XO-08-10B](#) [FHC3ZO-08-10A](#) [FHC3ZO-08-10B](#) [FHC3ZA-08-10A](#) [FHC3ZA-08-10B](#) [FC2WA-12-10AS](#) [FHCXO-20F-10A](#) [FHCXO-24F-10A](#) [FC39N-16-10A](#) [FLCS2/9SOCA9AG](#) [FLCS2/9SOCPXAQ](#) [FLCS2/9SOCU9BU](#) [FSCS2/9SOCA9AG](#) [FSCS2/9SOCPXAQ](#) [FSCS2/9SOCU9BU](#) [FC29N-12-10U](#) [LXCRN1C1CL1N](#) [9446W14S-6S](#) [9442W14S-5S](#) [F780904000](#) [944-1023](#) [1534631-1](#) [181-035-1000](#) [20100014231](#) [F718111220](#) [F718190204](#) [17-300940](#)