

Cat. 6A Module Plug, STP

Part no.: MP0070

Technical Features

Cat. 6A RJ45 8P8C plug, shielded

With gold plated

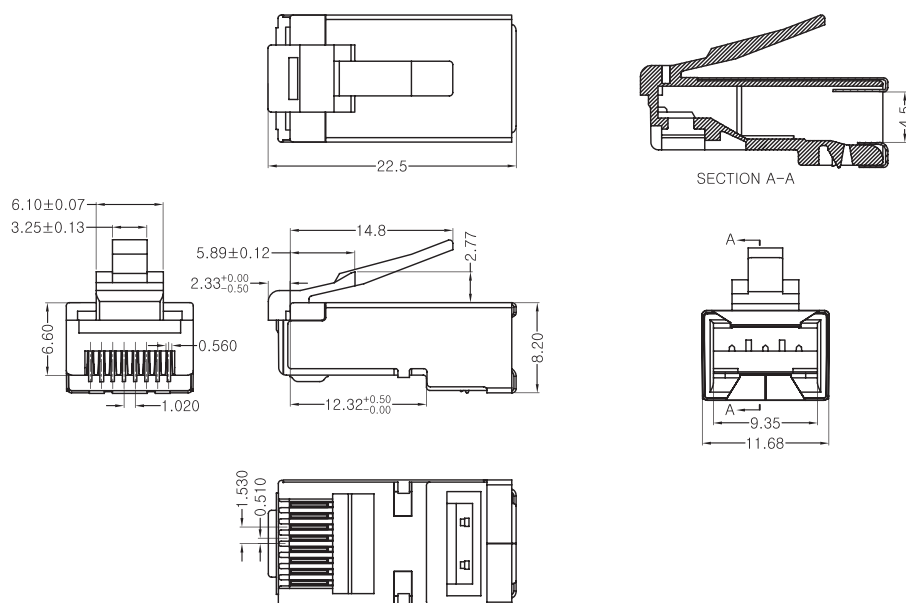
For solid wire AWG23 to AWG26

For stranded wire AWG26 to AWG27

Set incl. plug and 2 guide plate

Set with 50pcs each

Technical Drawings



MP0070



4 052792 049350

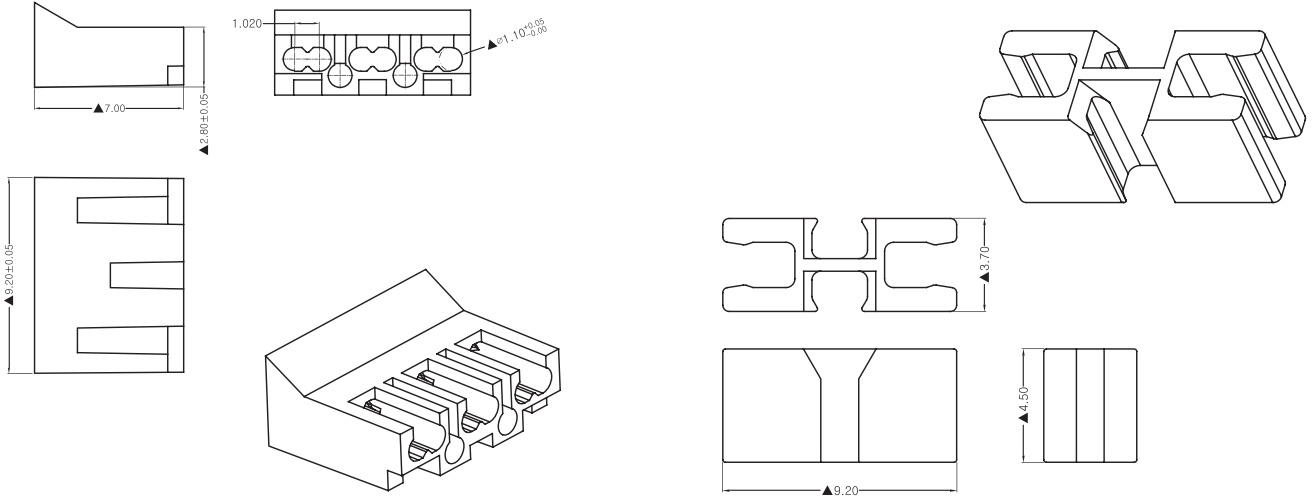
Made in China

www.logilink.de



RoHS
compliant

* The specifications and pictures are subject to change without notice.
*All trade names referenced are the registered trademark of their respective owners.



Package Contents

Cat. 6A Module Plug, STP

Packaging Informations

Packing Dimension	170 x 130 x 30mm
Packing Weight	0.126kg
Carton Dimension	430 x 430 x 345mm
Carton Q'ty	200pcs
Carton Weight	26.1kg



MP0070



4 052792 049350

Made in China

www.logilink.de



* The specifications and pictures are subject to change without notice.
*All trade names referenced are the registered trademark of their respective owners.

X-ON Electronics

Largest Supplier of Electrical and Electronic Components

Click to view similar products for [Modular Connectors](#) / [Ethernet Connectors](#) *category:*

Click to view products by [Logilink](#) *manufacturer:*

Other Similar products are found below :

[RJE231881317T](#) [MP1010RX-1000](#) [MP44RX-1000](#) [GAX-3-66](#) [GAX-8-62](#) [93606-0253](#) [GD-A-44](#) [GDCX-PN-64](#) [GDCX-PN-66](#) [GDCX-PN-66-50](#)
[GDLX-A-66](#) [GDLX-A-88](#) [GDLX-N-66](#) [GDLX-S-66](#) [GDLX-S-88K](#) [GDTX-S-88-50](#) [GDX-PA-1010](#) [GLX-A-44](#) [GLX-N-1010M-BLK](#) [GLX-N-44M](#)
[GLX-S-88M-BLK](#) [GMX-N-1010](#) [GMX-S-1010](#) [GMX-SMT2-N-1010](#) [GMX-SMT2-N-64-50](#) [GMX-SMT2-S6-88](#) [GMX-SMT4-N-88](#) [GPX-2-64](#)
[GRT1-BT1-5](#) [GSGX-N-2-88](#) [GSX-NS2-88-3.05](#) [GSX-NS2-88-3.05-50](#) [GSX-NS-88-3.05-30](#) [GSX-NS-88-3.05-50](#) [GSX-NS-88-3.68](#) [1-1775629-2](#)
[GWLX-S-88-GR](#) [GWLX-S9-88-YG](#) [1300500326](#) [1300500227](#) [1300530003](#) [1300570002](#) [1324640-4](#) [RJ11FTVC2G](#) [RJ11FTVC2N](#) [RJFTVX2SA1G](#)
[1400000](#) [1413176](#) [1413235](#) [MP88X-1000](#)