

| | | |
|---------------------------|------------------------|---|
| 52020513 | DATA SHEET |  |
| Valid from: 03.07.2018 | SKINDICHT® WN-M | |

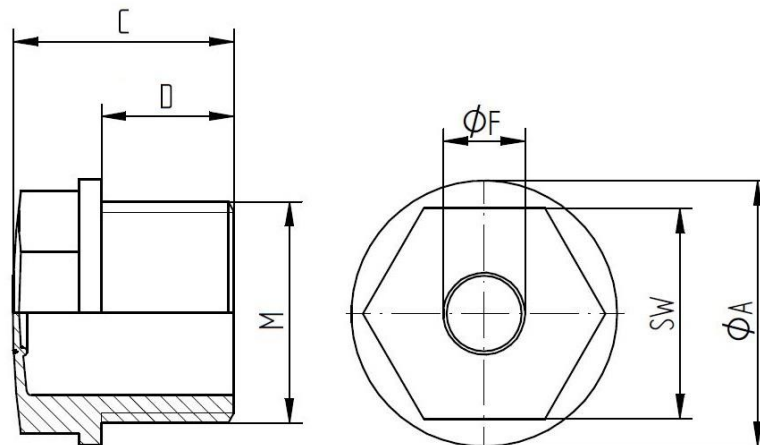
The SKINDICHT® WN-M is a closed, twisting sleeve made of Polyethylene, with pierce able elastic plastic membrane. Resistant against acids, bases and alcohols, highly electric and dielectric properties.



Technical features:

| | |
|-------------------|--|
| Connecting thread | M16x1,5 up to M63x1,5 acc. to EN 60423 |
| Material | Polyethylene |
| Tensile strengths | 18-30 N/mm |
| Protection class | IP54 acc. to EN 60529 |
| Temperature | -30° C up to +80° C |
| Colour | RAL 7035 light-grey |

Norm references:



| M | SW [mm] | Ø A [mm] | C [mm] | D [mm] | Ø F [mm] | | Article No. |
|---------|---------|----------|--------|--------|----------|------|-------------|
| | | | | | min | max | |
| M16x1,5 | 15 | 20 | 17 | 10 | 5 | 10 | 52020513 |
| M20x1,5 | 19 | 24 | 20 | 12 | 8 | 13,5 | 52020523 |
| M25x1,5 | 24 | 28 | 22 | 12 | 9 | 16 | 52020533 |
| M32x1,5 | 30 | 37 | 25 | 14 | 11 | 22 | 52020543 |
| M40x1,5 | 37 | 45 | 28 | 16 | 17 | 24 | 52020553 |
| M50x1,5 | 46 | 55,5 | 31 | 18 | 22 | 35 | 52020563 |
| M63x1,5 | 56 | 68,5 | 35 | 20 | 24 | 43 | 52020573 |

For more information please see our current catalogue. Please do not hesitate to contact our laboratory if there are any questions regarding resistance against aggressive agents and special oil.

| | | |
|--|---------------------------------------|-------------|
| Creator: T. Dvoulety /PDP Released: DAMU1/PDP | Document: DB52020513EN Version: 02 | Page 1 of 1 |
|--|---------------------------------------|-------------|

X-ON Electronics

Largest Supplier of Electrical and Electronic Components

Click to view similar products for [Cable Glands, Strain Reliefs & Cord Grips](#) category:

Click to view products by [Lapp Kabel](#) manufacturer:

Other Similar products are found below :

[120-116-1-1-20BP](#) [120-116-1-1-32BE](#) [120-117-40](#) [120-123-14](#) [120-123-16](#) [120-125-16](#) [120-125-16R](#) [120-125-16Y](#) [120-125-24Y](#) [120-125-28](#) [120-125-28R](#) [120-125-32](#) [120-125-32R](#) [120-125-40](#) [120-125-56](#) [120-126-14](#) [120-126-16](#) [120-126-20](#) [120-126-20BL](#) [120-126-20R](#) [120-126-24](#) [120-126-28](#) [120-126-32](#) [120-126-40BL](#) [120-116-1-1-06BP-509](#) [120-116-1-1-06CP](#) [120-116-1-1-16BE](#) [120-116-1-1-28BP](#) [120-123-20](#) [120-123-24](#) [120-123-32](#) [120-125-20](#) [120-125-20Y](#) [120-125-24](#) [120-125-24R](#) [120-125-28Y](#) [120-126-14BL](#) [120-126-16R](#) [120-126-16Y](#) [120-126-24BL](#) [120-126-28BL](#) [120-126-32BL](#) [120-126-40](#) [120-126-48](#) [120-126-48BL](#) [1300980012](#) [1300980105](#) [DBZM-6828](#) [1498](#) [15190-103 R2](#)