



DATA SHEET	53019000
SKINTOP® GMP-GL	valid from : 15.1.2016

The SKINTOP® GMP-GL, a hexagonal locknut of glass fiber reinforced polyamide, is used where cable glands are attached but there is only a pass-through hole. When the cable gland is fixed in a thread, a higher protection against vibration can be attained with this locknut.



Technical features:

Material	Polyamide glass fiber reinforced, V-2 acc. to UL94
Sizes	PG7 up to PG48 acc. to DIN 46320
Temperature range	-20 °C up to +80 °C
Colour	RAL 7001 silver-grey RAL 7035 light-grey RAL 9005 black

Approvals:



UL File Nr. E79903

Norm references:



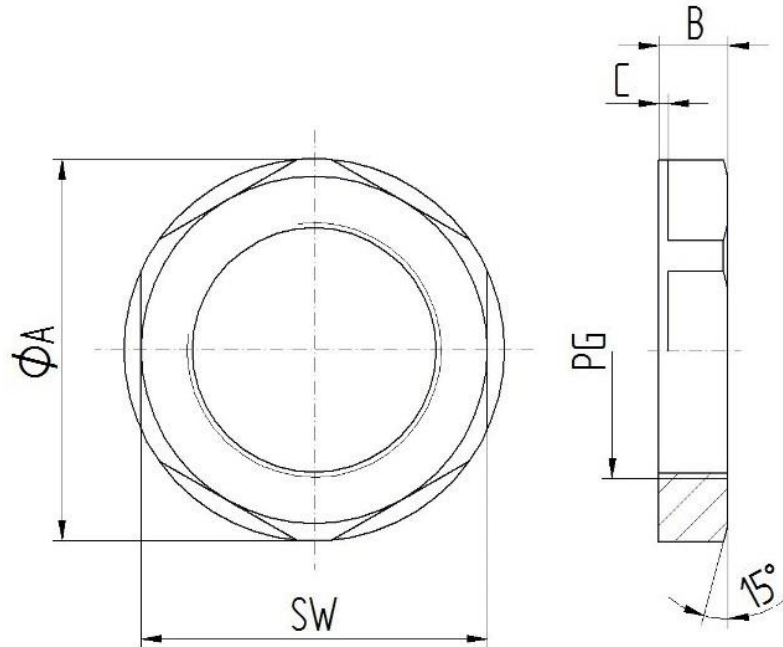
Note:

SKINTOP® GMP-GL is UL-approved only by use with the UL-approved SKINTOP® polyamide cable glands.

For more information please see our current catalogue.

elaborated by: PDP: M. Jurak	Document: DB53019000_4EN	page 1 of 2
---------------------------------	--------------------------	-------------

DATA SHEET	53019000
SKINTOP® GMP-GL	valid from : 15.1.2016



PG	SW [mm]	ϕA [mm]	B [mm]	C [mm]	Article No. RAL 7001	Article No. RAL 9005	Article No. RAL 7035
PG 7	19	21	5	0,9	53019000	53019200	53019001
PG 9	22	24	5	0,9	53019010	53019210	53019011
PG 11	24	26	5	0,8	53019020	53019220	53019021
PG 13,5	27	29	6	0,8	53019030	53019230	53019031
PG 16	30	33	6	0,8	53019040	53019240	53019041
PG 21	36	39	7	1	53019050	53019250	53019051
PG 29	46	50	7	1	53019060	53019260	53019061
PG 36	60	66	8	2	53019070	53019270	53019071
PG 42	65	73	8	2,2	53019080	53019280	53019081
PG 48	70	78	8	2,2	53019090	53019290	53019091

X-ON Electronics

Largest Supplier of Electrical and Electronic Components

Click to view similar products for [Cable Glands, Strain Reliefs & Cord Grips](#) category:

Click to view products by [Lapp Kabel](#) manufacturer:

Other Similar products are found below :

[120-116-1-1-20BP](#) [120-116-1-1-32BE](#) [120-117-40](#) [120-123-14](#) [120-123-16](#) [120-125-16](#) [120-125-16R](#) [120-125-16Y](#) [120-125-24Y](#) [120-125-28](#) [120-125-28R](#) [120-125-32](#) [120-125-32R](#) [120-125-40](#) [120-125-56](#) [120-126-14](#) [120-126-16](#) [120-126-20](#) [120-126-20BL](#) [120-126-20R](#) [120-126-24](#) [120-126-28](#) [120-126-32](#) [120-126-40BL](#) [120-116-1-1-06BP-509](#) [120-116-1-1-06CP](#) [120-116-1-1-16BE](#) [120-116-1-1-28BP](#) [120-123-20](#) [120-123-24](#) [120-123-32](#) [120-125-20](#) [120-125-20Y](#) [120-125-24](#) [120-125-24R](#) [120-125-28Y](#) [120-126-14BL](#) [120-126-16R](#) [120-126-16Y](#) [120-126-24BL](#) [120-126-28BL](#) [120-126-32BL](#) [120-126-40](#) [120-126-48](#) [120-126-48BL](#) [1300980012](#) [1300980105](#) [DBZM-6828](#) [1498](#) [15190-103 R2](#)