



DATA SHEET	53112610
SKINTOP® MS-SC-M / MS-SC-M-XL	valid from: 26.02.2016

The SKINTOP® MS-SC-M / MS-SC-M-XL is a nickel-plated brass cable gland especially designed for copper-screened cables and is used to achieve a low-resistance screen contact, strain relief and high protection class. The SKINTOP® MS-SC-M / MS-SC-M-XL is not qualified for cases twisting a gland after inserting the cable (e.g. circular connectors).



Components:

Gland body	Brass, nickel-plated
Cap nut	Brass, nickel-plated
Insert with lamellar cage	Polyamide, V2 acc. to UL94
Sealing ring	CR (ozone and UV- resistant)
Contact spring	CuBe, tin-plated
O-ring	NBR (ozone and UV- resistant)

Technical features:

Connecting thread	M12x1,5 up to M50x1,5 acc. to EN 60423
Protection class / NEMA Typ Rating	IP68 - 10 bar, test acc. to EN 60529 IP69 acc. to EN 60529 Typw 1, Type 4X, Type 6 and Type 12
Temperature range	Dynamic -25 °C up to +100 °C Statically -40 °C up to +100 °C
Transfer impedance	≤ 10 mOhm
Corrosion-protection class	C4

Approvals:



UL File Nr. 79903

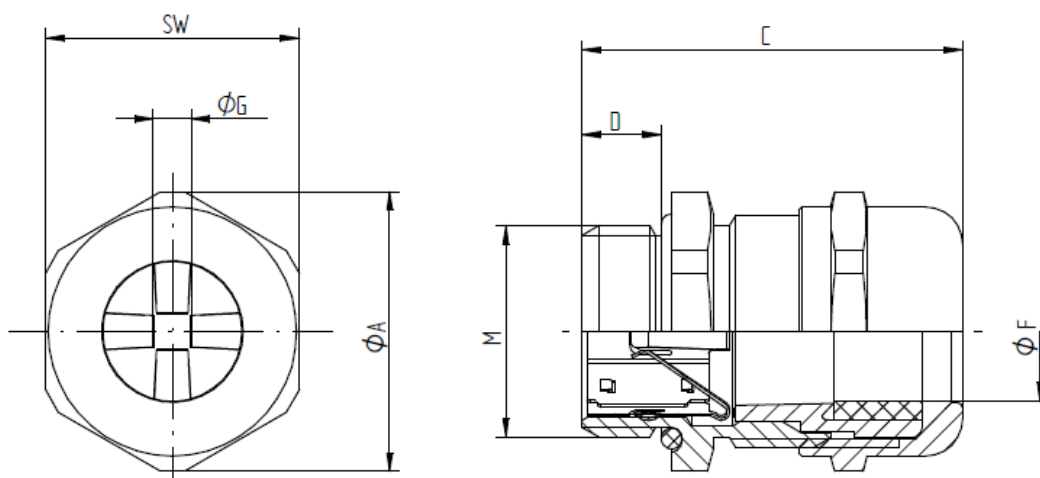
Norm references:



For more information please see our current catalogue.

elaborated by: PDP: M. Wegerer	Document: DB53112610_13EN	page 1 of 2
-----------------------------------	---------------------------	-------------

DATA SHEET	53112610
SKINTOP® MS-SC-M / MS-SC-M-XL	valid from: 26.02.2016



SKINTOP® MS-SC-M

M	SW [mm]	Ø A [mm]	C max. [mm]	D [mm]	Ø F [mm] Clamping range	Ø G [mm]	O-Ring [mm]	Article No.
M12x1,5	16	17,6	26,5	6,5	3,5-7	1,0	9x2	53112610
M16x1,5	20	22,0	33,0	7,0	4,5-9	4,0	13x2	53112620
M20x1,5	24	26,4	37,0	8,5	7-13	5,0	17x2	53112630
M25x1,5	29	31,9	38,5	8,0	9-17	7,5	22x2	53112640
M32x1,5	36	39,6	45,5	9,0	11-21	9,0	28x2	53112650
M40x1,5	45	49,5	48,0	9,0	19-28	15,0	36x2	53112660
M50x1,5	54	59,0	55,5	10,0	27-35	21,0	46x2	53112670

SKINTOP® MS-SC-M-XL

M	SW [mm]	Ø A [mm]	C max. [mm]	D [mm]	Ø F [mm] Clamping range	Ø G [mm]	O-Ring [mm]	Article No.
M12x1,5	16	17,6	32,0	12	3,5-7	1,0	9x2	53112615
M16x1,5	20	22,0	38,0	12	4,5-9	4,0	13x2	53112625
M20x1,5	24	26,4	41,0	12	7-13	5,0	17x2	53112635
M25x1,5	29	31,9	42,5	12	9-17	7,5	22x2	53112645
M32x1,5	36	39,6	51,5	15	11-21	9,0	28x2	53112655
M40x1,5	45	49,5	54,0	15	19-28	15,0	36x2	53112665
M50x1,5	54	59,0	60,5	15	27-35	21,0	46x2	53112675

Recommended torque rates in acc. to EN 50262:

Sizes	Torque [Nm]
M12x1,5	8
M16x1,5	10
M20x1,5 - M25x1,5	12
M32x1,5 - M40x1,5	18
M50x1,5	20

X-ON Electronics

Largest Supplier of Electrical and Electronic Components

Click to view similar products for [Cable Glands, Strain Reliefs & Cord Grips](#) category:

Click to view products by [Lapp Kabel](#) manufacturer:

Other Similar products are found below :

[120-116-1-1-20BP](#) [120-116-1-1-32BE](#) [120-117-40](#) [120-123-14](#) [120-123-16](#) [120-125-16](#) [120-125-16R](#) [120-125-16Y](#) [120-125-24Y](#) [120-125-28](#) [120-125-28R](#) [120-125-32](#) [120-125-32R](#) [120-125-40](#) [120-125-56](#) [120-126-14](#) [120-126-16](#) [120-126-20](#) [120-126-20BL](#) [120-126-20R](#) [120-126-24](#) [120-126-28](#) [120-126-32](#) [120-126-40BL](#) [120-116-1-1-06BP-509](#) [120-116-1-1-06CP](#) [120-116-1-1-16BE](#) [120-116-1-1-28BP](#) [120-123-20](#) [120-123-24](#) [120-123-32](#) [120-125-20](#) [120-125-20Y](#) [120-125-24](#) [120-125-24R](#) [120-125-28Y](#) [120-126-14BL](#) [120-126-16R](#) [120-126-16Y](#) [120-126-24BL](#) [120-126-28BL](#) [120-126-32BL](#) [120-126-40](#) [120-126-48](#) [120-126-48BL](#) [1300980012](#) [1300980105](#) [DBZM-6828](#) [1498](#) [15190-103 R2](#)