



DATA SHEET	53119000
SKINTOP® GMP-GL-M	valid from : 30.05.2016

The SKINTOP® GMP-GL-M, a hexagonal locknut of glass-fibre reinforced polyamide, is used where cable glands are attached but there is only a pass-through hole.

When the cable gland is fixed in a thread, a higher protection against vibration can be attained with this locknut.



Technical features:

Material	Polyamide glass-fibre reinforced, HB acc. to UL 94
Sizes	M12x1,5 up to M63x1,5 acc. to EN 60423
Temperature range	Dynamic -20 °C up to +100 °C Statically -40 °C up to +100 °C
Colour	RAL 7001 silver-grey RAL 7035 light-grey RAL 9005 black, UV-resistant

Approvals:



UL File Nr. E79903

Norm references:



Note:

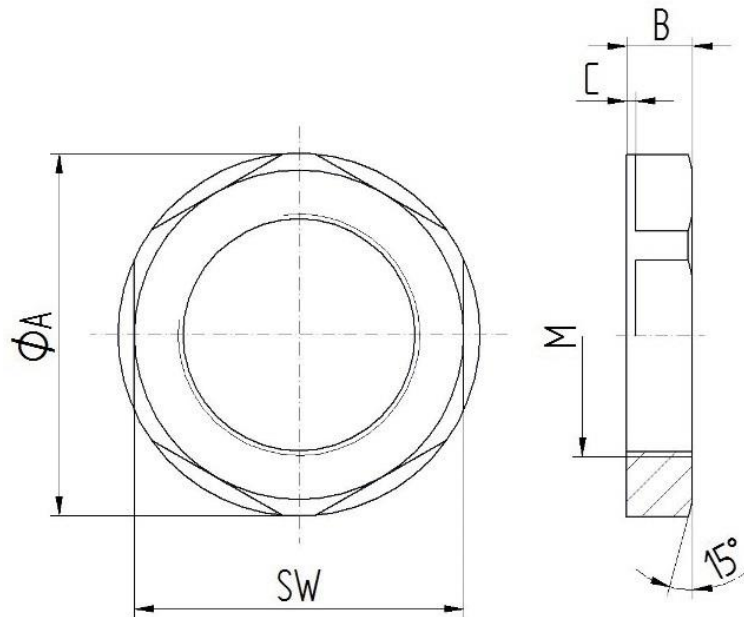
SKINTOP® GMP-GL can be at request also delivered without a collar.

SKINTOP® GMP-GL is UL-approved only by use with the UL-approved SKINTOP® polyamide cable glands.

For more information please see our current catalogue.

elaborated by: PDP: M. Wegerer	Document: DB53119000_06EN	page 1 of 2
-----------------------------------	---------------------------	-------------

DATA SHEET	53119000
SKINTOP® GMP-GL-M	valid from : 30.05.2016



M	SW [mm]	Ø A [mm]	B [mm]	C [mm]	Article No. RAL 7001	Article No. RAL 9005	Article No. RAL 7035
M12x1,5	17	18,7	5	0,8	53119000	53119100	53119003
M16x1,5	22	24,2	5	0,8	53119010	53119110	53119013
M20x1,5	27	29,7	6	0,9	53119020	53119120	53119023
M25x1,5	34	37,4	6	0,9	53119030	53119130	53119033
M32x1,5	41	45,1	7	1	53119040	53119140	53119043
M40x1,5	50	55	7	1	53119050	53119150	53119053
M50x1,5	60	66	8	1,2	53119060	53119160	53119063
M63x1,5	75	82,5	8	1,2	53119070	53119170	53119073

X-ON Electronics

Largest Supplier of Electrical and Electronic Components

Click to view similar products for [Cable Glands, Strain Reliefs & Cord Grips](#) category:

Click to view products by [Lapp Kabel](#) manufacturer:

Other Similar products are found below :

[120-116-1-1-20BP](#) [120-116-1-1-32BE](#) [120-117-40](#) [120-123-14](#) [120-123-16](#) [120-125-16](#) [120-125-16R](#) [120-125-16Y](#) [120-125-24Y](#) [120-125-28](#) [120-125-28R](#) [120-125-32](#) [120-125-32R](#) [120-125-40](#) [120-125-56](#) [120-126-14](#) [120-126-16](#) [120-126-20](#) [120-126-20BL](#) [120-126-20R](#) [120-126-24](#) [120-126-28](#) [120-126-32](#) [120-126-40BL](#) [120-116-1-1-06BP-509](#) [120-116-1-1-06CP](#) [120-116-1-1-16BE](#) [120-116-1-1-28BP](#) [120-123-20](#) [120-123-24](#) [120-123-32](#) [120-125-20](#) [120-125-20Y](#) [120-125-24](#) [120-125-24R](#) [120-125-28Y](#) [120-126-14BL](#) [120-126-16R](#) [120-126-16Y](#) [120-126-24BL](#) [120-126-28BL](#) [120-126-32BL](#) [120-126-40](#) [120-126-48](#) [120-126-48BL](#) [1300980012](#) [1300980105](#) [DBZM-6828](#) [1498](#) [15190-103 R2](#)