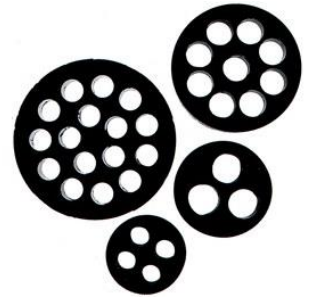




|                                   |                            |
|-----------------------------------|----------------------------|
| <b>DATA SHEET</b>                 | 5331 6220                  |
| <b>SKINTOP® DIX-M / DIX-M FKM</b> | valid from :<br>20.04.2017 |

The SKINTOP® DIX multiple seal insert with several holes makes it possible to pass several leads through a gland at the same time. Consequently components can be dimensioned smaller.  
The SKINTOP® DIX FKM is resistant to oils and biological oils, solvents and chemicals.



**Technical features SKINTOP® DIX-M:**

|                   |  |
|-------------------|--|
| Material          | NBR  |
| Sizes             | M16 up to M50  |
| Temperature range | -40 °C up to +100 °C   |
| Colour            | Black  |
| Protection class  | IP54 acc. to EN 60529<br>IP68 - 5 bar, acc. to EN 60529<br>(can be achieved if all the holes are optimally occupied) |

**Technical features SKINTOP® DIX-M FKM:**

|                   |  |
|-------------------|--|
| Material          | FKM  |
| Sizes             | M20, M40   |
| Temperature range | -20 °C up to +200 °C   |
| Colour            | Black  |
| Protection class  | IP54 acc. to EN 60529<br>IP68 - 5 bar, acc. to EN 60529<br>(can be achieved if all the holes are optimally occupied) |

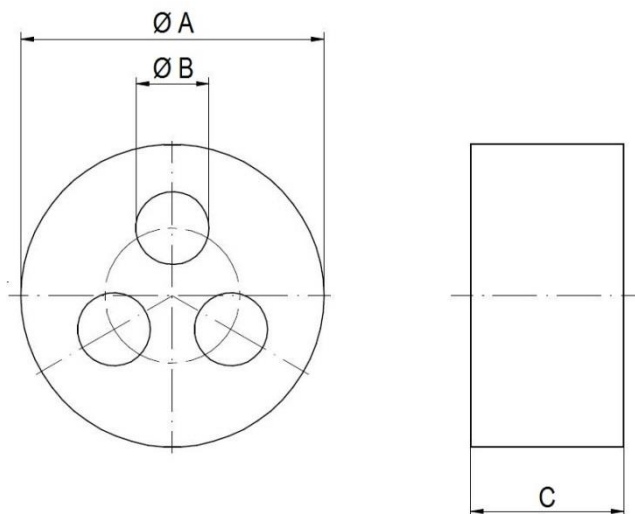
**Norm references:**



For more information please see our current catalogue.

|                                   |                           |             |
|-----------------------------------|---------------------------|-------------|
| elaborated by:<br>PDP: M. Wegerer | Document: DB53316220_04EN | page 1 of 3 |
|-----------------------------------|---------------------------|-------------|

|                                   |                            |
|-----------------------------------|----------------------------|
| <b>DATA SHEET</b>                 | 5331 6220                  |
| <b>SKINTOP® DIX-M / DIX-M FKM</b> | valid from :<br>20.04.2017 |



**SKINTOP® DIX-M**

| Size | $\varnothing A$<br>[mm] | $\varnothing B$<br>[mm] | Number<br>of holes | C<br>[mm] | Article No. |
|------|-------------------------|-------------------------|--------------------|-----------|-------------|
| M16  | 12,6                    | 2                       | 2                  | 8,0       | 53316220    |
| M16  | 12,6                    | 2                       | 4                  | 8,0       | 53316420    |
| M16  | 12,6                    | 3                       | 2                  | 8,0       | 53316230    |
| M16  | 12,6                    | 4                       | 2                  | 8,0       | 53316240    |
| M20  | 16,6                    | 5                       | 2                  | 8,4       | 53320250    |
| M20  | 16,6                    | 6                       | 2                  | 8,4       | 53320260    |
| M20  | 16,6                    | 4                       | 3                  | 8,4       | 53320340    |
| M20  | 16,6                    | 5,3                     | 3                  | 8,4       | 53320353    |
| M20  | 16,6                    | 4                       | 4                  | 8,4       | 53320440    |
| M20  | 16,6                    | 2                       | 9                  | 8,4       | 53320920    |
| M20  | 16,6                    | 3                       | 4                  | 8,4       | 53320430    |
| M25  | 20,8                    | 6                       | 2                  | 9,5       | 53325260    |
| M25  | 20,8                    | 5                       | 2                  | 9,5       | 53325250    |
| M25  | 20,8                    | 5                       | 3                  | 9,5       | 53325350    |
| M25  | 20,8                    | 6                       | 3                  | 9,5       | 53325360    |
| M25  | 20,8                    | 7                       | 3                  | 9,5       | 53325370    |
| M25  | 20,8                    | 5                       | 4                  | 9,5       | 53325450    |
| M25  | 20,8                    | 4                       | 5                  | 9,5       | 53325540    |



|                                   |                            |
|-----------------------------------|----------------------------|
| <b>DATA SHEET</b>                 | 5331 6220                  |
| <b>SKINTOP® DIX-M / DIX-M FKM</b> | valid from :<br>20.04.2017 |

| Size | Ø A [mm] | Ø B [mm] | Number of holes | C [mm] | Article No. |
|------|----------|----------|-----------------|--------|-------------|
| M32  | 25,6     | 7        | 2               | 12,0   | 53332270    |
| M32  | 25,6     | 8        | 2               | 12,0   | 53332280    |
| M32  | 25,6     | 9        | 2               | 12,0   | 53332290    |
| M32  | 25,6     | 7        | 3               | 12,0   | 53332370    |
| M32  | 25,6     | 8        | 3               | 12,0   | 53332380    |
| M32  | 25,6     | 6        | 4               | 12,0   | 53332460    |
| M32  | 25,6     | 7        | 4               | 12,0   | 53332470    |
| M32  | 25,6     | 6        | 5               | 12,0   | 53332560    |
| M32  | 25,6     | 5        | 6               | 12,0   | 53332650    |
| M32  | 25,6     | 4        | 8               | 12,0   | 53332840    |
| M32  | 25,6     | 5        | 8               | 12,0   | 53332850    |
| M32  | 25,6     | 4        | 9               | 12,0   | 53332940    |
| M40  | 33,8     | 9        | 2               | 14,5   | 53340290    |
| M40  | 33,8     | 10       | 3               | 14,5   | 53340310    |
| M40  | 33,8     | 8        | 4               | 14,5   | 53340480    |
| M40  | 33,8     | 9        | 4               | 14,5   | 53340490    |
| M40  | 33,8     | 8        | 5               | 14,5   | 53340580    |
| M40  | 33,8     | 9        | 5               | 14,5   | 53340590    |
| M40  | 33,8     | 7        | 6               | 14,5   | 53340670    |
| M40  | 33,8     | 6        | 8               | 14,5   | 53340860    |
| M40  | 33,8     | 6,9      | 9               | 14,5   | 53340969    |
| M50  | 41,8     | 8        | 11              | 18,0   | 53350118    |
| M50  | 41,8     | 8        | 6               | 18,0   | 53350680    |
| M50  | 41,8     | 8        | 7               | 18,0   | 53350780    |
| M50  | 41,8     | 7        | 8               | 18,0   | 53350870    |
| M50  | 41,8     | 7        | 14              | 18,0   | 53350147    |
| M50  | 41,8     | 4        | 16              | 18,0   | 53350164    |
| M50  | 41,8     | 6        | 16              | 18,0   | 53350166    |

**SKINTOP® DIX-M FKM**

| Size | Ø A [mm] | Ø B [mm] | Number of holes | C [mm] | Article No. |
|------|----------|----------|-----------------|--------|-------------|
| M20  | 16,6     | 5        | 2               | 8,4    | 53420250    |
| M20  | 16,6     | 6        | 2               | 8,4    | 53420260    |
| M40  | 33,8     | 6,9      | 9               | 14,5   | 53440969    |

|                                   |                            |             |
|-----------------------------------|----------------------------|-------------|
| elaborated by:<br>PDP: M. Wegerer | Document: DB53316220_ 04EN | page 3 of 3 |
|-----------------------------------|----------------------------|-------------|

## X-ON Electronics

Largest Supplier of Electrical and Electronic Components

*Click to view similar products for [Cable Glands, Strain Reliefs & Cord Grips](#) category:*

*Click to view products by [Lapp Kabel](#) manufacturer:*

Other Similar products are found below :

[120-116-1-1-20BP](#) [120-116-1-1-32BE](#) [120-117-40](#) [120-123-14](#) [120-123-16](#) [120-125-16](#) [120-125-16R](#) [120-125-16Y](#) [120-125-24Y](#) [120-125-28](#) [120-125-28R](#) [120-125-32](#) [120-125-32R](#) [120-125-40](#) [120-125-56](#) [120-126-14](#) [120-126-16](#) [120-126-20](#) [120-126-20BL](#) [120-126-20R](#) [120-126-24](#) [120-126-28](#) [120-126-32](#) [120-126-40BL](#) [120-116-1-1-06BP-509](#) [120-116-1-1-06CP](#) [120-116-1-1-16BE](#) [120-116-1-1-28BP](#) [120-123-20](#) [120-123-24](#) [120-123-32](#) [120-125-20](#) [120-125-20Y](#) [120-125-24](#) [120-125-24R](#) [120-125-28Y](#) [120-126-14BL](#) [120-126-16R](#) [120-126-16Y](#) [120-126-24BL](#) [120-126-28BL](#) [120-126-32BL](#) [120-126-40](#) [120-126-48](#) [120-126-48BL](#) [1300980012](#) [1300980105](#) [DBZM-6828](#) [1498](#) [15190-103 R2](#)