




DATA SHEET	5550 6905
SILVYN® FCL	valid from : 27.04.2016

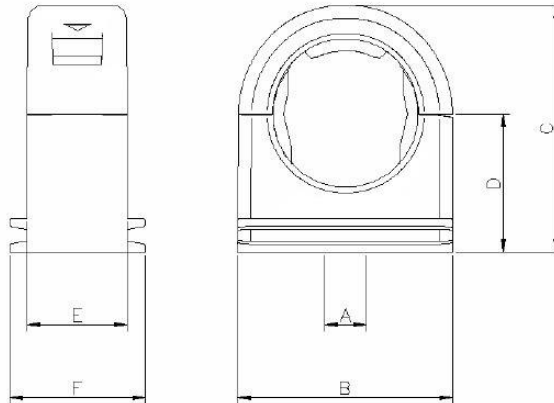
SILVYN® FCL is a one part conduit holder with integrated lid made of polyamide. The conduit holder serve for fixing for flexible coarse and fine pitch conduits and an internal rib secures the conduit from pulling through ensuring a neat installation. Can be removed using a screwdriver if required.



- Material:** PA 66
- Features:** Fast assembly
Anti-vibration
Suitable for fine and coarse conduits
High mechanical strength
High pull off and pull through strength
- Temperature range:** -50°C up to +135°C
- Color:** Grey
Black (UV-Resistant)
- Norm Reference:** 
- Note:** Free of Halogen, Sulphur and Phosphorous

For more information please see our current catalogue.
Please do not hesitate to contact our laboratory if there any questions regarding resistance against aggressive agents and special oil.

DATA SHEET	5550 6905
SILVYN® FCL	valid from : 27.04.2016



Dimension table

Part No.	Part name	NW	Screw Ø A mm	Wide B mm	High C mm	High D mm	Wide E mm	Wide F mm	Pull off N	Pull through N
Grey										
5550 6900	SILVYN FCL 10 GY	10	M5	23	26	15	12	20	450	100
5550 6910	SILVYN FCL 13 GY	13	M5	23	26	15	12	20	450	100
5550 6920	SILVYN FCL 16 GY	16	M5	26	30	17	12	20	500	100
5550 6980	SILVYN FCL 18 GY	18	M6	32	36	20	15	20	600	200
5550 7400	SILVYN FCL 20 GY	20	M6	32	36	20	15	20	600	200
5550 6930	SILVYN FCL 21 GY	21	M6	32	36	20	15	20	600	200
5550 7410	SILVYN FCL 25 GY	25	M6	41	45	24	15	20	700	350
5550 6940	SILVYN FCL 28 GY	28	M6	41	45	24	15	20	700	350
5550 6950	SILVYN FCL 34 GY	34	M6	84	51	27	15	20	800	500
5550 6960	SILVYN FCL 42 GY	42	M6	57	60	31	15	20	1000	500
5550 6970	SILVYN FCL 54 GY	54	M6	70	72	37	15	20	1200	500
Black										
5550 6905	SILVYN FCL 10 BK	10	M5	23	26	15	12	20	450	100
5550 6915	SILVYN FCL 13 BK	13	M5	23	26	15	12	20	450	100
5550 6925	SILVYN FCL 16 BK	16	M5	26	30	17	12	20	500	100
5550 6985	SILVYN FCL 18 BK	18	M6	32	36	20	15	20	600	200
5550 7405	SILVYN FCL 20 BK	20	M6	32	36	20	15	20	600	200
5550 6935	SILVYN FCL 21 BK	21	M6	32	36	20	15	20	600	200
5550 7415	SILVYN FCL 25 BK	25	M6	41	45	24	15	20	700	350
5550 6945	SILVYN FCL 28 BK	28	M6	41	45	24	15	20	700	350
5550 6955	SILVYN FCL 34 BK	34	M6	84	51	27	15	20	800	500
5550 6965	SILVYN FCL 42 BK	42	M6	57	60	31	15	20	1000	500
5550 6975	SILVYN FCL 54 BK	54	M6	70	72	37	15	20	1200	500

X-ON Electronics

Largest Supplier of Electrical and Electronic Components

Click to view similar products for [Conduit Fittings & Accessories](#) category:

Click to view products by [Lapp Kabel](#) manufacturer:

Other Similar products are found below :

[S53.35A](#) [260-416](#) [DM0240-1/2A](#) [817.612.0](#) [55506625](#) [1.511.2001.50](#) [1.533.1601.50](#) [1.533.2001.50](#) [52005810](#) [817.716.0](#) [712.015.0](#) [216-420](#) [2276](#) [2663-P](#) [C2070-P](#) [3582V](#) [2643-P](#) [4975](#) [2644-P](#) [90480](#) [2404-P](#) [1047561](#) [2723-P](#) [55506355](#) [1.513.1101.14](#) [55502461](#) [55502462](#) [55502463](#) [55502464](#) [55502473](#) [166-22214](#) [166-22215](#) [166-24800](#) [166-25801](#) [166-30318](#) [SHR-C1](#) [2037 12-20 LGR](#) [2037 16-24 LGR](#) [HP50SS](#) [55502470](#) [SH PA6 BL ND10](#) [5308 946](#) [295.012.0](#) [2955 M16](#) [2955 M25](#) [2955 M32](#) [2955 M40](#) [297.212.0](#) [297.240.0](#) [298.012.0](#)