

### FEATURES

- High Efficiency Synchronous Push-Pull PWM
- 1.5A Sink, 1A Source Output Drivers
- Supports Push-Pull, Full-Bridge, Half-Bridge, and Forward Topologies
- Adjustable Push-Pull Dead-Time and Synchronous Timing
- Adjustable System Undervoltage Lockout and Hysteresis
- Adjustable Leading Edge Blanking
- Low Start-Up and Quiescent Currents
- Current Mode (LTC3723-1) or Voltage Mode (LTC3723-2) Operation
- Single Resistor Slope Compensation
- $V_{CC}$  UVLO and 25mA Shunt Regulator
- Programmable Fixed Frequency Operation to 1MHz
- 50mA Synchronous Output Drivers
- Soft-Start, Cycle-by-Cycle Current Limiting and Hiccup Mode Short-Circuit Protection
- 5V, 15mA Low Dropout Regulator
- Available in 16-Pin SSOP Package

### APPLICATIONS

- Telecommunications, Infrastructure Power Systems
- Distributed Power Architectures

### DESCRIPTION

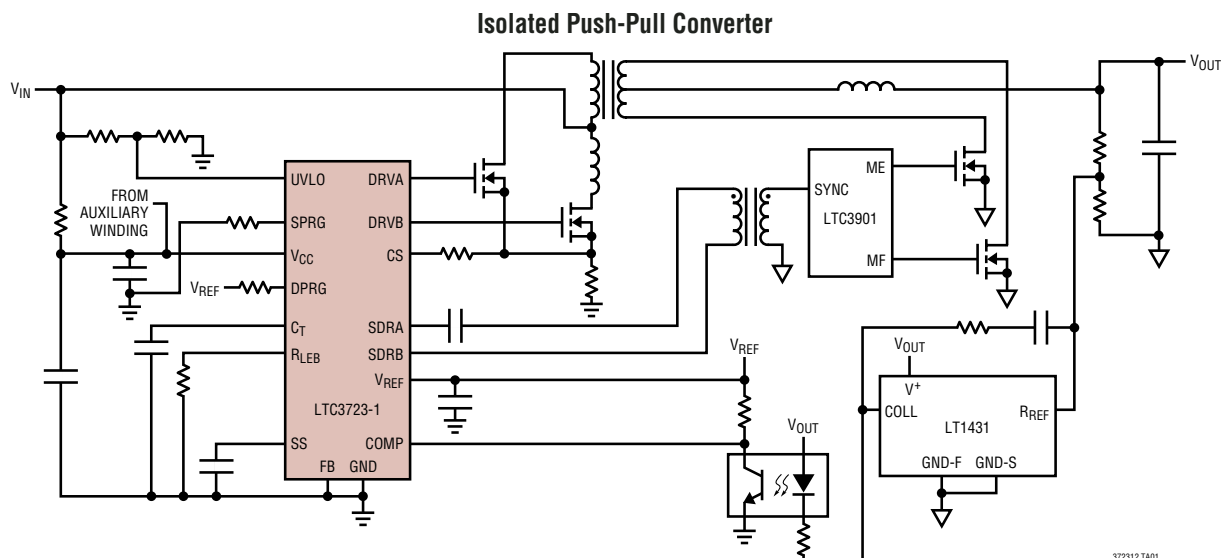
The LTC<sup>®</sup>3723-1/LTC3723-2 synchronous push-pull PWM controllers provide all of the control and protection functions necessary for compact and highly efficient, isolated power converters. High integration minimizes external component count, while preserving design flexibility.

The robust push-pull output stages switch at half the oscillator frequency. Dead-time is independently programmed with an external resistor. Synchronous rectifier timing is adjustable to optimize efficiency. A UVLO program input provides precise system turn-on and turn off voltages. The LTC3723-1 features peak current mode control with programmable slope compensation and leading edge blanking, while the LTC3723-2 employs voltage mode control with voltage feedforward capability.

The LTC3723-1/LTC3723-2 feature extremely low operating and start-up currents. Both devices provide reliable short-circuit and overtemperature protection. The LTC3723-1/LTC3723-2 are offered in a 16-pin SSOP package.

LT, LTC and LT are registered trademarks of Linear Technology Corporation. All other trademarks are the property of their respective owners.

### TYPICAL APPLICATION



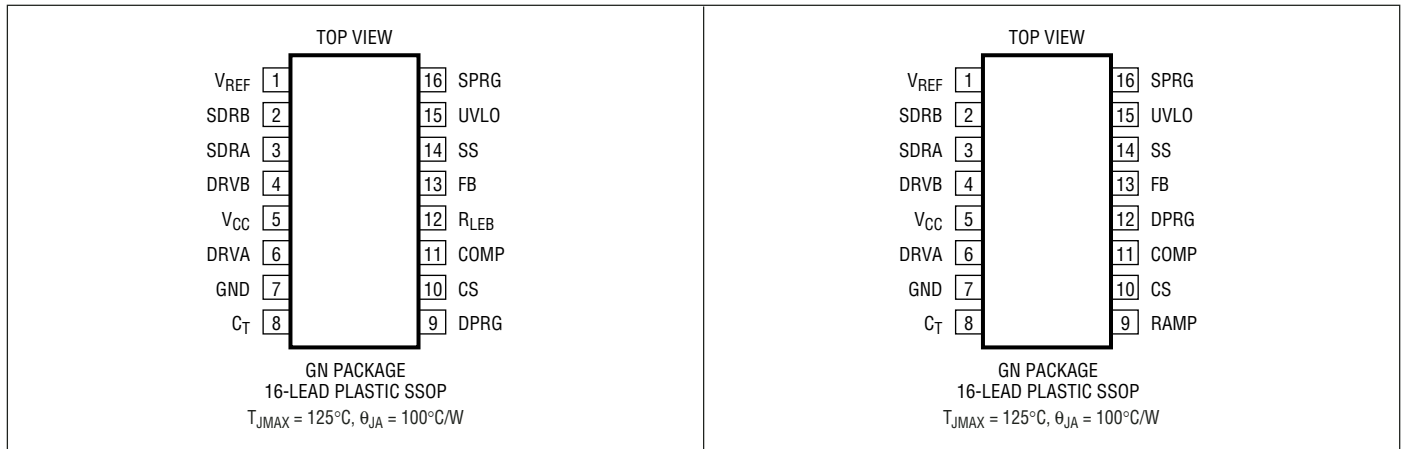
372312F

# LTC3723-1/LTC3723-2

## ABSOLUTE MAXIMUM RATINGS (Note 1)

$V_{CC}$ to GND (Low Impedance Source) ..... -0.3V to 10V (Chip Self-Regulates at 10.3V)	$V_{REF}$ Output Current ..... Self-Regulated
UVLO to GND ..... -0.3V to $V_{CC}$	Operating Temperature (Notes 5,6)
All Other Pins to GND	LTC3723E ..... -40°C to 85°C
(Low Impedance Source) ..... -0.3V to 5.5V	Storage Temperature Range ..... -65°C to 125°C
$V_{CC}$ (Current Fed) ..... 40mA	Lead Temperature (Soldering, 10sec) ..... 300°C

## PACKAGE/ORDER INFORMATION



ORDER PART NUMBER	GN PART MARKING	ORDER PART NUMBER	GN PART MARKING
LTC3723EGN-1	37231	LTC3723EGN-2	37232

**Order Options** Tape and Reel: Add #TR  
 Lead Free: Add #PBF Lead Free Tape and Reel: Add #TRPBF  
 Lead Free Part Marking: <http://www.linear.com/leadfree/>

Consult LTC Marketing for parts specified with wider operating temperature ranges.

## ELECTRICAL CHARACTERISTICS

The ● denotes the specifications which apply over the full operating temperature range, otherwise specifications are at  $T_A = 25^\circ\text{C}$ .  $V_{CC} = 9.5\text{V}$  unless otherwise noted.

SYMBOL	PARAMETER	CONDITIONS	MIN	TYP	MAX	UNITS
<b>Input Supply</b>						
$V_{CCUV}$	$V_{CC}$ Undervoltage Lockout	Measured on $V_{CC}$		10.25	10.7	V
$V_{CCHY}$	$V_{CC}$ UVLO Hysteresis	Measured on $V_{CC}$	3.8	4.2		V
$I_{CCST}$	Start-Up Current	$V_{CC} = V_{UVLO} - 0.3\text{V}$	●	145	230	$\mu\text{A}$
$I_{CCRN}$	Operating Current	No Load on Outputs		3	8	mA
$V_{SHUNT}$	Shunt Regulator Voltage	Current into $V_{CC} = 10\text{mA}$		10.3	10.8	V
$R_{SHUNT}$	Shunt Resistance	Current into $V_{CC} = 10\text{mA}$ to $17\text{mA}$		1.4	3.5	$\Omega$
$S_{UVLO}$	System UVLO Threshold	Measured on UVLO Pin, $10\text{mA}$ into $V_{CC}$	4.8	5.0	5.2	V
$S_{HYST}$	System UVLO Hysteresis Current	Current Flows Out of UVLO Pin, $10\text{mA}$ into $V_{CC}$	8.5	10	11.5	$\mu\text{A}$
<b>Pulse Width Modulator</b>						
ROS	Ramp Offset Voltage	Measured on COMP, RAMP = 0V		0.65		V
$I_{RMP}$	Ramp Discharge Current	RAMP = 1V, COMP = 0V, $C_T = 4\text{V}$ , 3723-1 Only		50		mA

372312f

## ELECTRICAL CHARACTERISTICS

The ● denotes the specifications which apply over the full operating temperature range, otherwise specifications are at  $T_A = 25^\circ\text{C}$ .  $V_{CC} = 9.5\text{V}$  unless otherwise noted.

SYMBOL	PARAMETER	CONDITIONS	MIN	TYP	MAX	UNITS	
$I_{SLP}$	Slope Compensation Current	Measured on CS, $C_T = 1\text{V}$ , 3723-1 Only $C_T = 2.25\text{V}$		30 68		$\mu\text{A}$ $\mu\text{A}$	
DCMAX	Maximum Duty Cycle	COMP = 4.5V	● 47	48.2	50	%	
DCMIN	Minimum Duty Cycle	COMP = 0V	●	0		%	
DTADJ	Dead-Time			130		ns	
<b>Oscillator</b>							
OSCI	Initial Accuracy	$T_A = 25^\circ\text{C}$ , $C_T = 270\text{pF}$		220	250	280	kHz
OSCT	$V_{CC}$ Variation	$V_{CC} = 6.5\text{V}$ to $9.5\text{V}$ , Overtemperature	● -3		3		%
OSCV	$C_T$ Ramp Amplitude	Measured on $C_T$		2.35			V
<b>Error Amplifier</b>							
$V_{FB}$	FB Input Voltage	COMP = 2.5V, (Note 3)		1.172	1.2	1.22	V
$FB_I$	FB Input Range	Measured on FB, (Note 4)		-0.3		2.5	V
AVOL	Open-Loop Gain	COMP = 1V to 3V, (Note 3)		70	90		dB
$I_{IB}$	Input Bias Current	COMP = 2.5V, (Note 3)			5	50	nA
$V_{OH}$	Output High	Load on COMP = $-100\mu\text{A}$		4.7	4.92		V
$V_{OL}$	Output Low	Load on COMP = $100\mu\text{A}$			0.27	0.5	V
$I_{SOURCE}$	Output Source Current	COMP = 2.5V		400	700		$\mu\text{A}$
$I_{SINK}$	Output Sink Current	COMP = 2.5V		2	5		mA
<b>Reference</b>							
$V_{REF}$	Initial Accuracy	$T_A = 25^\circ\text{C}$ , Measured on $V_{REF}$		4.925	5.00	5.075	V
REFLD	Load Regulation	Load on $V_{REF} = 100\mu\text{A}$ to $5\text{mA}$			2	15	mV
REFLN	Line Regulation	$V_{CC} = 6.5\text{V}$ to $9.5\text{V}$			1	10	mV
REFTV	Total Variation	Line, Load and Temperature	● 4.900	5.000	5.100		V
REFSC	Short-Circuit Current	$V_{REF}$ Shorted to GND		18	30	45	mA
<b>Push-Pull Outputs</b>							
DRVH(x)	Output High Voltage	$I_{OUT(x)} = -100\text{mA}$		9.0	9.2		V
DRVL(x)	Output Low Voltage	$I_{OUT(x)} = 100\text{mA}$			0.17	0.6	V
RDH(x)	Pull-Up Resistance	$I_{OUT(x)} = -10\text{mA}$ to $-100\text{mA}$			2.9	4	$\Omega$
RDL(x)	Pull-Down Resistance	$I_{OUT(x)} = -10\text{mA}$ to $-100\text{mA}$			1.7	2.5	$\Omega$
TDR(x)	Rise-Time	$C_{OUT(x)} = 1\text{nF}$			10		ns
TDF(x)	Fall-Time	$C_{OUT(x)} = 1\text{nF}$			10		ns
<b>Synchronous Outputs</b>							
OUTH(x)	Output High Voltage	$I_{OUT(x)} = -30\text{mA}$		9.0	9.2		V
OUTL(x)	Output Low Voltage	$I_{OUT(x)} = 30\text{mA}$			0.44	0.6	V
RHI(x)	Pull-Up Resistance	$I_{OUT(x)} = -10\text{mA}$ to $-30\text{mA}$			11	15	$\Omega$
RLO(x)	Pull-Down Resistance	$I_{OUT(x)} = -10\text{mA}$ to $-30\text{mA}$			15	20	$\Omega$
TR(x)	Rise-Time	$C_{OUT(x)} = 50\text{pF}$			10		ns
TF(x)	Fall-Time	$C_{OUT(x)} = 50\text{pF}$			10		ns
<b>Current Limit and Shutdown</b>							
CLPP	Pulse by Pulse Current Limit Threshold	Measured on CS		280	300	320	mV
CLSD	Shutdown Current Limit Threshold	Measured on CS		475	600	725	mV
CLDEL	Current Limit Delay to Output	100mV Overdrive on CS, (Note 2)			80		ns

# LTC3723-1/LTC3723-2

## ELECTRICAL CHARACTERISTICS

The ● denotes the specifications which apply over the full operating temperature range, otherwise specifications are at  $T_A = 25^\circ\text{C}$ .  $V_{CC} = 9.5\text{V}$  unless otherwise noted.

SYMBOL	PARAMETER	CONDITIONS	MIN	TYP	MAX	UNITS
SSI	Soft-Start Current	SS = 2.5V	10	13	16	$\mu\text{A}$
SSR	Soft-Start Reset Threshold	Measured on SS	0.7	0.4	0.1	V
FLT	Fault Reset Threshold	Measured on SS	4.5	4.2	3.5	V

**Note 1:** Absolute Maximum Ratings are those values beyond which the life of a device may be impaired.

**Note 2:** Includes leading edge blanking delay,  $R_{LEB} = 20\text{k}$ , not tested in production.

**Note 3:** FB is driven by a servo loop amplifier to control  $V_{COMP}$  for these tests.

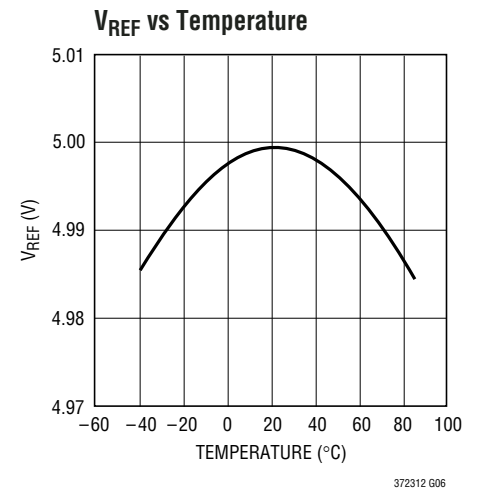
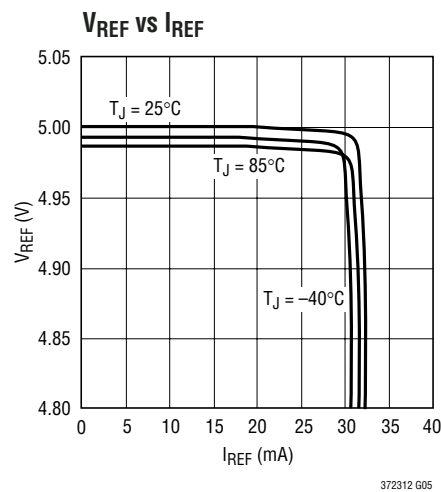
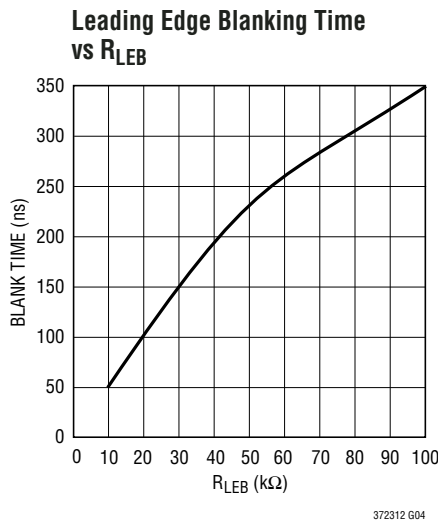
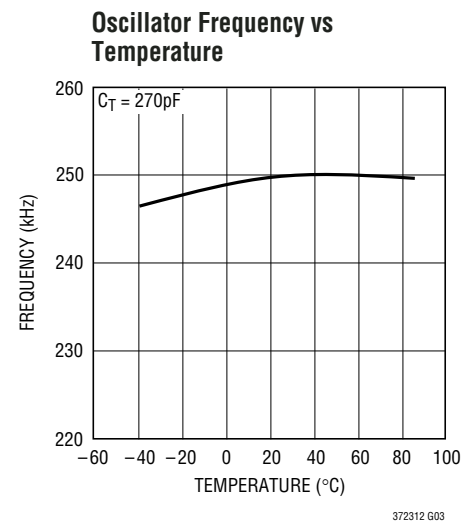
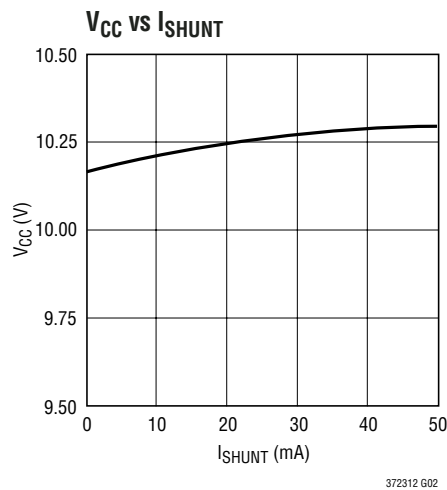
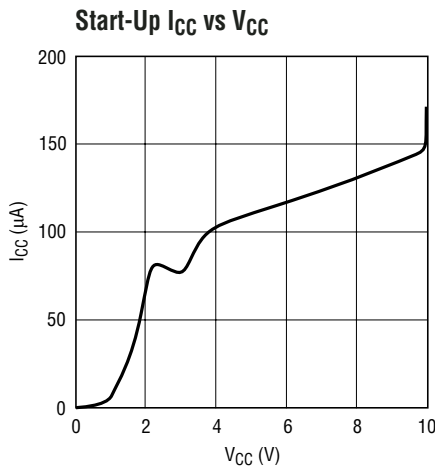
**Note 4:** Set FB to  $-0.3\text{V}$ ,  $2.5\text{V}$  and insure that COMP does not phase invert.

**Note 5:** The LTC3723E-1/LTC3723E-2 are guaranteed to meet

performance specifications from  $0^\circ\text{C}$  to  $70^\circ\text{C}$ . Specifications over the  $-40^\circ\text{C}$  to  $85^\circ\text{C}$  operating temperature range are assured by design, characterization and correlation with statistical process controls.

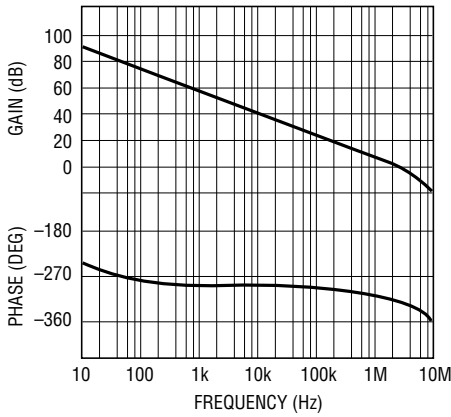
**Note 6:** This IC includes overtemperature protection that is intended to protect the device during momentary overload conditions. Junction temperature will exceed  $125^\circ\text{C}$  when overtemperature protection is active. Continuous operation above the specified maximum operating junction temperature may impair device reliability.

## TYPICAL PERFORMANCE CHARACTERISTICS ( $T_A = 25^\circ\text{C}$ unless otherwise noted)



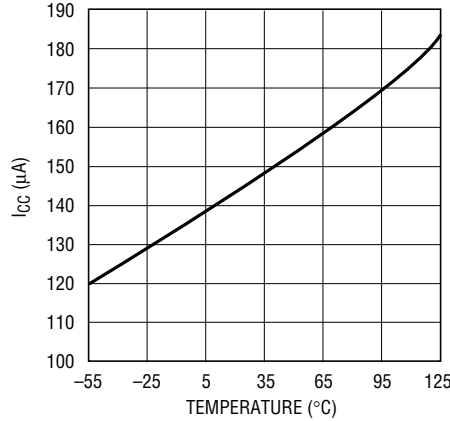
**TYPICAL PERFORMANCE CHARACTERISTICS** ( $T_A = 25^\circ\text{C}$  unless otherwise noted)

**Error Amplifier Gain/Phase**



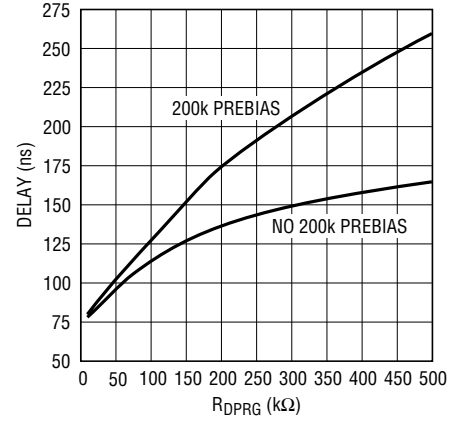
372312 G07

**Start-Up  $I_{CC}$  vs Temperature**



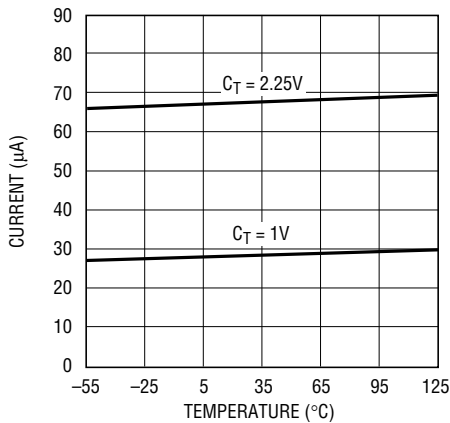
372312 G08

**LTC3723 Deadtime vs  $R_{DPRG}$  With and Without 200k Prebias Compensation**



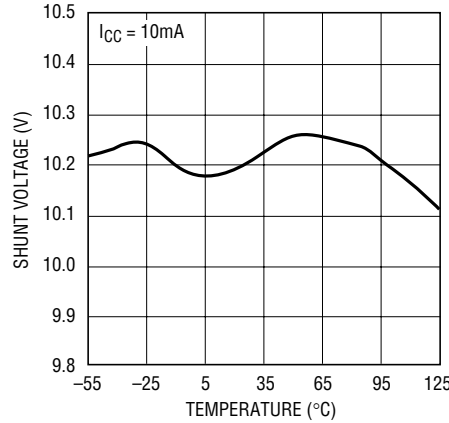
372312 G09

**Slope Current vs Temperature**



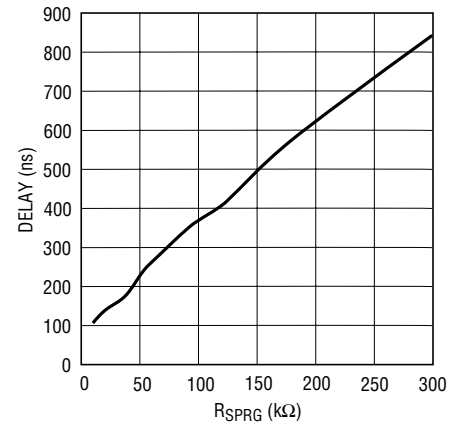
372312 G10

**$V_{CC}$  Shunt Voltage vs Temperature**



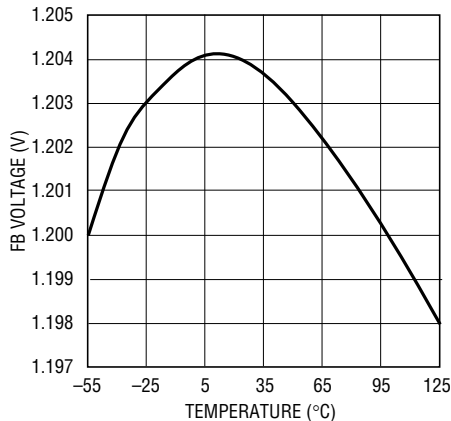
372312 G11

**Synchronous Driver Turn-Off Delay vs  $R_{SPRG}$  Referenced to CT Peak**



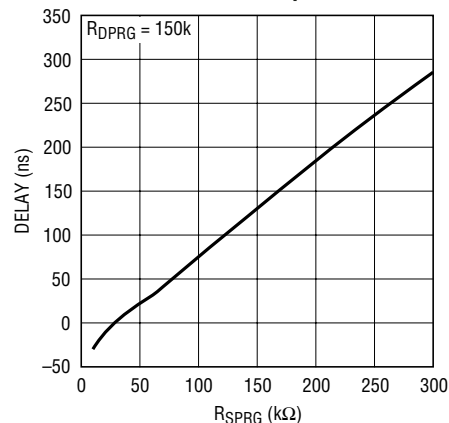
372312 G12

**FB Input Voltage vs Temperature**



372312 G13

**Synchronous Driver Turn-Off Delay vs  $R_{SPRG}$  Referenced to Push-Pull Driver Outputs**



372312 G14

## PIN DESCRIPTIONS (LTC3723-1/LTC3723-2)

**V<sub>REF</sub> (Pin 1/Pin 1):** Output of the 5.0V Reference. V<sub>REF</sub> is capable of supplying up to 18mA to external circuitry. V<sub>REF</sub> should be decoupled to GND with a 0.47μF ceramic capacitor.

**SDRB (Pin 2/Pin 2):** 50mA Driver for Synchronous Rectifier associated with DRVB.

**SDRA (Pin 3/Pin 3):** 50mA Driver for Synchronous Rectifier associated with DRVA.

**DRVB (Pin 4/Pin 4):** High Speed 1.5A Sink, 1A Source Totem Pole MOSFET Driver. Connect to gate of external push-pull MOSFET with as short a PCB trace as practical to preserve drive signal integrity. A low value resistor connected between DRVA and the MOSFET gate is optional and will improve the gate drive signal quality if the PCB trace from the driver to the MOSFET cannot be made short.

**V<sub>CC</sub> (Pin 5/Pin 5):** Supply Voltage Input to the LTC3723-1/LTC3723-2 and 10.25V Shunt Regulator. The chip is enabled after V<sub>CC</sub> has risen high enough to allow the V<sub>CC</sub> shunt regulator to conduct current and the UVLO comparator threshold is exceeded. Once the V<sub>CC</sub> shunt regulator has turned on, V<sub>CC</sub> can drop to as low as 6V (typical) and maintain operation. Bypass V<sub>CC</sub> to GND with a high quality 1μF or larger ceramic capacitor to supply the transient currents caused by the high speed switching and capacitive loads presented by the on chip totem pole drivers.

**DRVA (Pin 6/Pin 6):** High Speed 1.5A Sink, 1A Source Totem Pole MOSFET Driver. Connect to gate of external push-pull MOSFET with as short a PCB trace as practical to preserve drive signal integrity. A low value resistor connected between DRVA and the MOSFET gate is optional and will improve the gate drive signal quality if the PCB trace from the driver to the MOSFET cannot be made short.

**GND (Pin 7/Pin 7):** All circuits in the LTC3723 are referenced to GND. Use of a ground plane is highly recom-

mended. V<sub>IN</sub> and V<sub>REF</sub> bypass capacitors must be terminated with a star configuration as close to GND as practical for best performance.

**C<sub>T</sub> (Pin 8/Pin 8):** Timing Capacitor for the Oscillator. Use a ±5% or better low ESR ceramic capacitor for best results. C<sub>T</sub> ramp amplitude is 2.35V peak-to-peak (typical).

**DPRG (Pin 9/Pin 12):** Programming Input for Push-Pull Dead-Time. Connect a resistor between DPRG and V<sub>REF</sub> to program the dead-time. The nominal voltage on DPRG is 2V.

**RAMP (N/A/Pin 9):** Input to PWM Comparator for LTC3723-2 Only (Voltage Mode Controller). The voltage on RAMP is internally level shifted by 650mV.

**CS (Pin 10/Pin 10):** Input to Pulse-by-Pulse and Overload Current Limit Comparators, Output of Slope Compensation Circuitry. The pulse-by-pulse comparator has a nominal 300mV threshold, while the overload comparator has a nominal 600mV threshold. An internal switch discharges CS to GND after every timing period. Slope compensation current flows out of CS during the PWM period. An external resistor connected from CS to the external current sense resistor programs the amount of slope compensation.

**COMP (Pin 11/Pin 11):** Error Amplifier Output, Inverting Input to Phase Modulator.

**R<sub>LEB</sub> (Pin 12/N/A):** Timing Resistor for Leading Edge Blanking. Use a 10k to 100k resistor connected between R<sub>LEB</sub> and GND to program from 40ns to 310ns of leading edge blanking of the current sense signal on CS for the LTC3723-1. A ±1% tolerance resistor is recommended. The LTC3723-2 has a fixed blanking time of approximately 80ns. The nominal voltage on R<sub>LEB</sub> is 2V. If leading edge blanking is not required, tie R<sub>LEB</sub> to V<sub>REF</sub> to disable.

**FB (Pin 13/Pin 13):** Error Amplifier Inverting Input. This is the voltage feedback input for the LTC3723. The nominal regulation voltage at FB is 1.2V.

## PIN DESCRIPTIONS (LTC3723-1/LTC3723-2)

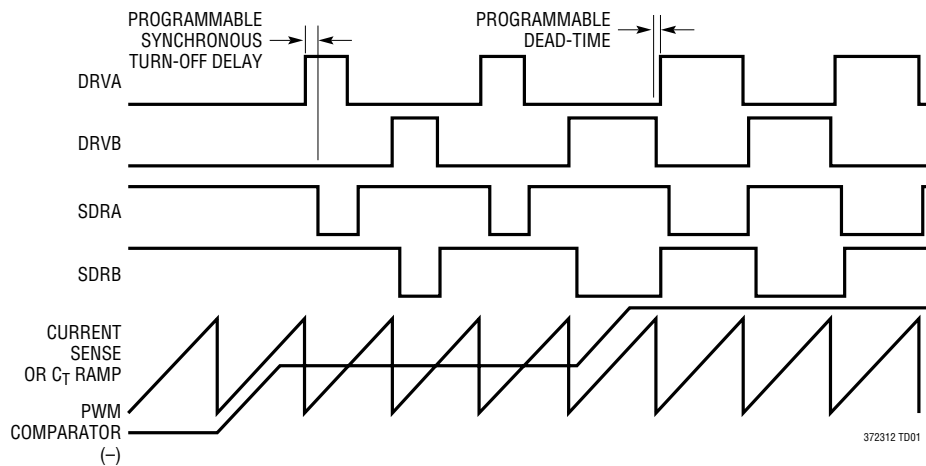
**SS (Pin 14/Pin 14):** Soft-Start/Restart Delay Circuitry Timing Capacitor. A capacitor from SS to GND provides a controlled ramp of the current command (LTC3723-1) or duty cycle (LTC3723-2). During overload conditions, SS is discharged to ground initiating a soft-start cycle. SS charging current is approximately  $13\mu\text{A}$ . SS will charge up to approximately 5V in normal operation. During a constant overload current fault, SS will oscillate at a low frequency between approximately 0.5V and 4V.

**UVLO (Pin 15/Pin 15):** Input to Program System Turn-On and Turn-Off Voltages. The nominal threshold of the UVLO comparator is 5.0V. UVLO is connected to the main DC system feed through a resistor divider. When the UVLO

threshold is exceeded, the LTC3723-1/LTC3723-2 commences a soft-start cycle and a  $10\mu\text{A}$  (nominal) current is fed out of UVLO to program the desired amount of system hysteresis. The hysteresis level can be adjusted by changing the resistance of the divider. UVLO can also be used to terminate all switching by pulling UVLO down to less than 4V. An open drain or collector switch can perform this function without changing the system turn on or turn off voltages.

**SPRG (Pin 16/Pin 16):** A resistor is connected between SPRG and GND to set the turn off delay for the synchronous rectifier driver outputs. The nominal voltage on SPRG is 2V.

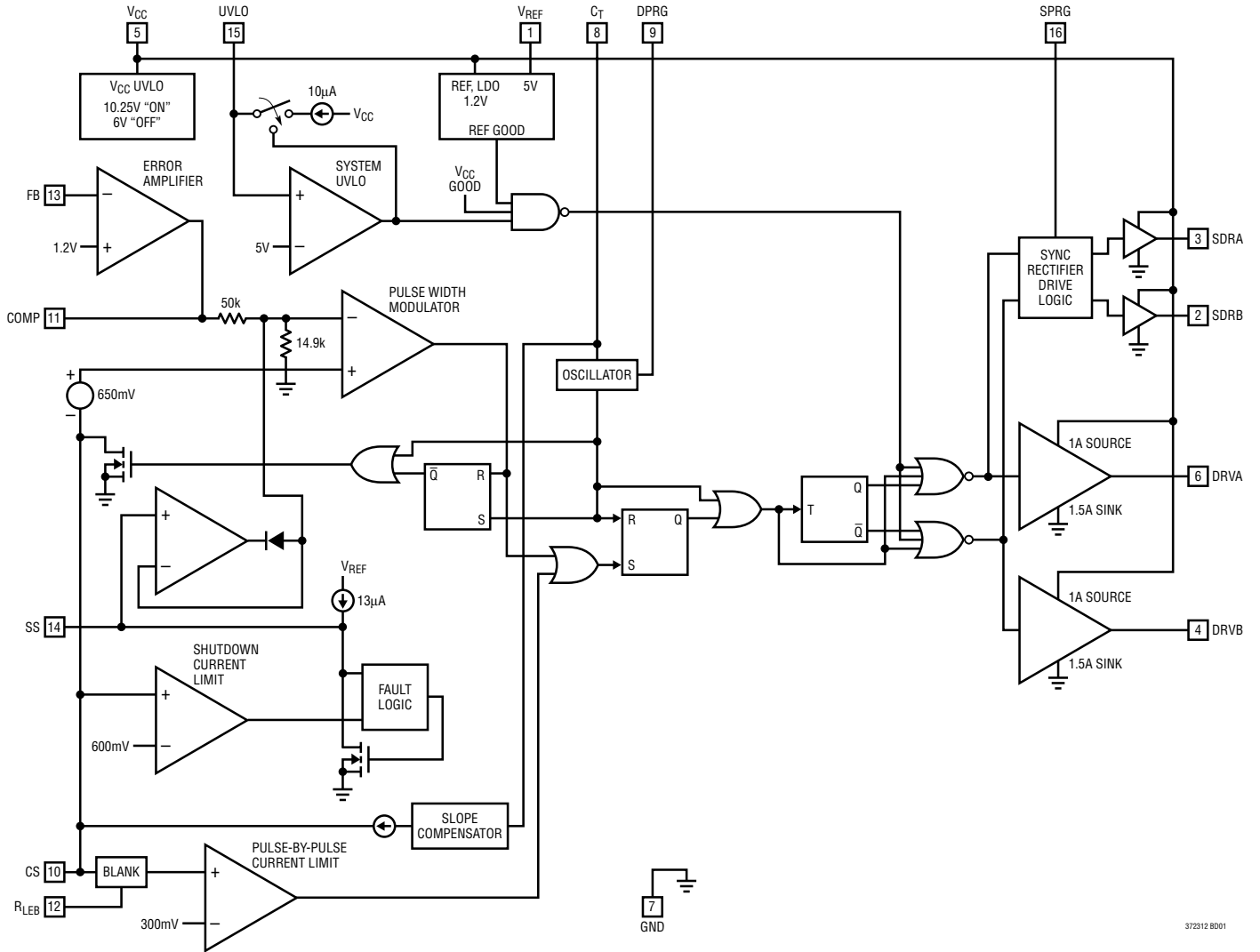
## TIMING DIAGRAM



# LTC3723-1/LTC3723-2

## BLOCK DIAGRAMS

LTC3723-1 Block Diagram

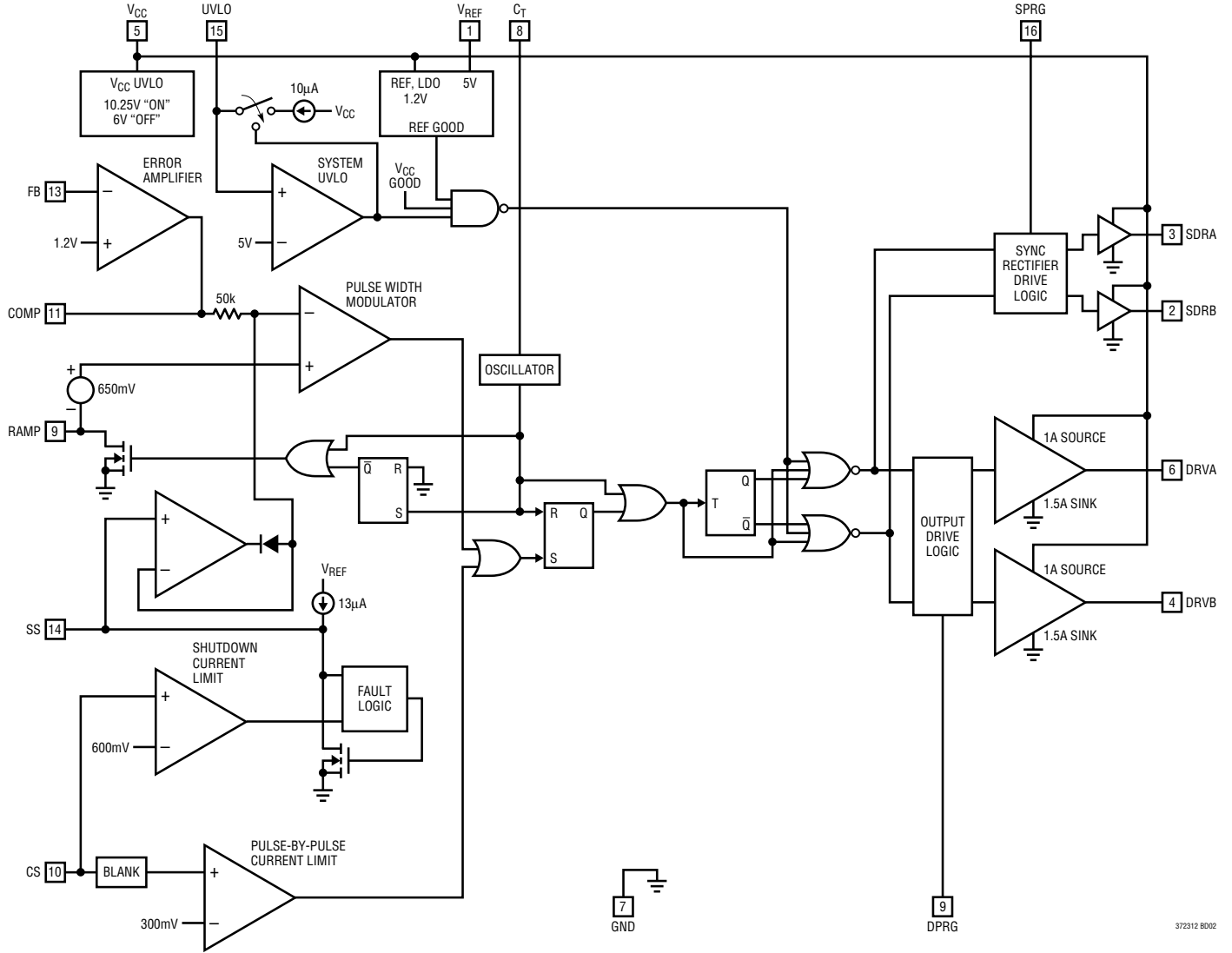


372312 8001



**BLOCK DIAGRAMS**

LTC3723-2 Block Diagram



372312 B002

## OPERATION

Please refer to the detailed Block Diagrams for this discussion. The LTC3723-1 and LTC3723-2 are synchronous PWM push-pull controllers. The LTC3723-1 operates with peak pulse-by-pulse current mode control while the LTC3723-2 offers voltage mode control operation. They are best suited for moderate to high power isolated power systems where small size and high efficiency are required. The push-pull topology delivers excellent transformer utilization and requires only two low side power MOSFET switches. Both controllers generate 180° out of phase 0% to <50% duty cycle drive signals on DRVA and DRVB. The external MOSFETs are driven directly by these powerful on-chip drivers. The external MOSFETs typically control opposite primary windings of a centertapped power transformer. The centertap primary winding is connected to the input DC feed. The secondary of the transformer can be configured in different synchronous or nonsynchronous configurations depending on the application needs.

The duty ratio is controlled by the voltage on COMP. A switching cycle commences with the falling edge of the internal oscillator clock pulse. The LTC3723-1 attenuates the voltage on COMP and compares it to the current sense signal to terminate the switching cycle. The LTC3723-2 compares the voltage on COMP to a timing ramp to terminate the cycle. The LTC3723-2's  $C_T$  waveform can be used for this purpose or separate R-C components can be connected to RAMP to generate the timing ramp. If the voltage on CS exceeds 300mV, the present cycle is terminated. If the voltage on CS exceeds 600mV, all switching stops and a soft-start sequence is initiated.

The LTC3723-1/LTC3723-2 also provide drive signals for secondary side synchronous rectifier MOSFETs. Synchronous rectification improves converter efficiency, especially as the output voltages drop. Independent turn-off control of the synchronous rectifiers is provided via SPRG in order to optimize the benefit of the synchronous rectifiers. A resistor from SPRG to GND sets the desired turn off delay.

A host of other features including an error amplifier, system UVLO programming, adjustable leading edge blanking, slope compensation and programmable dead-time provide flexibility for a variety of applications.

### Programming Driver Dead-Time

The LTC3723-1/LTC3723-2 controllers include a feature to program the minimum time between the output signals on DRVA and DRVB commonly referred to as the driver dead-time. This function will come into play if the controller is commanded for maximum duty cycle. The dead-time is set with an external resistor connected between DPRG and  $V_{REF}$  (see Figure 1). The nominal regulated voltage on DPRG is 2V. The external resistor programs a current which flows into DPRG. The dead-time can be adjusted from 90ns to 300ns with this resistor. The dead-time can also be modulated based on an external current source that feeds current into DPRG. Care must be taken to limit the current fed into DPRG to 350µA or less. An internal 10µA current source sets a maximum deadtime if DPRG is floated. The internal current source causes the programmed deadtime to vary non-linearly with increasing values of RDPRG (see typical performance characteristics). An external 200k resistor connected from DPRG to GND will compensate for the internal 10µA current source and linearize the deadtime delay vs RDPRG characteristic.

### Powering the LTC3723-1/LTC3723-2

The LTC3723-1/LTC3723-2 utilize an integrated  $V_{CC}$  shunt regulator to serve the dual purposes of limiting the voltage applied to  $V_{CC}$  as well as signaling that the chip's bias voltage is sufficient to begin switching operation (under voltage lockout). With its typical 10.2V turn-on voltage and 4.2V UVLO hysteresis, the LTC3723-1/LTC3723-2 is tolerant of loosely regulated input sources such as an auxiliary transformer winding. The  $V_{CC}$  shunt is capable of sinking up to 40mA of externally applied current. The UVLO turn-on and turn-off thresholds are derived from an internally trimmed reference making them extremely accurate. In addition, the LTC3723-1/LTC3723-2 exhibits

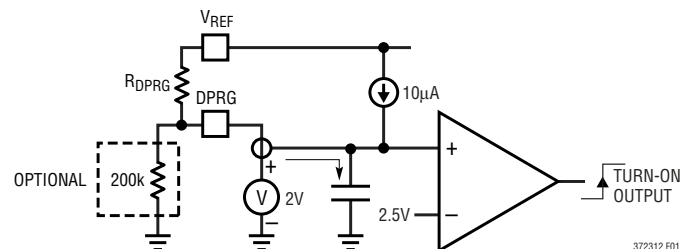


Figure 1. Delay Timeout Circuitry

372312F

## OPERATION

very low (145µA typ) start-up current that allows the use of 1/8W to 1/4W trickle charge start-up resistors.

The trickle charge resistor should be selected as follows:

$$R_{START(MAX)} = V_{IN(MIN)} - 10.7V/250\mu A$$

Adding a small safety margin and choosing standard values yields:

APPLICATION	V <sub>IN</sub> RANGE	R <sub>START</sub>
DC/DC	36V to 72V	100k
Off-Line	85V to 270V <sub>RMS</sub>	430k
PFC Preregulator	390V <sub>DC</sub>	1.4M

V<sub>CC</sub> should be bypassed with a 0.1µF to 1µF multilayer ceramic capacitor to decouple the fast transient currents demanded by the output drivers and a bulk tantalum or electrolytic capacitor to hold up the V<sub>CC</sub> supply before the bootstrap winding, or an auxiliary regulator circuit takes over.

$$C_{HOLDUP} = (I_{CC} + I_{DRIVE}) \cdot t_{DELAY}/3.8V$$

(minimum UVLO hysteresis)

Regulated bias supplies as low as 7V can be utilized to provide bias to the LTC3723-1/LTC3723-2. Refer to Figure 2 for various bias supply configurations.

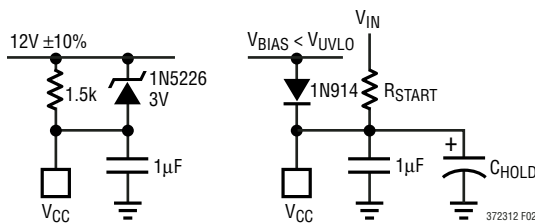


Figure 2. Bias Configurations

### Programming Undervoltage Lockout

The LTC3723-1/LTC3723-2 provides undervoltage lock-out (UVLO) control for the input DC voltage feed to the power converter in addition to the V<sub>CC</sub> UVLO function described in the preceding section. Input DC feed UVLO is provided with the UVLO pin. A comparator on UVLO compares a divided down input DC feed voltage to the 5V precision reference. When the 5V level is exceeded on UVLO, the SS pin is released and output switching commences. At the same time a 10µA current is enabled which flows out of UVLO into the voltage divider connected to

UVLO. The amount of DC feed hysteresis provided by this current is: 10µA • R<sub>TOP</sub>, (Figure 3). The system UVLO threshold is: 5V • {(R<sub>TOP</sub> + R<sub>BOTTOM</sub>)/R<sub>BOTTOM</sub>}. If the voltage applied to UVLO is present and greater than 5V prior to the V<sub>CC</sub> UVLO circuitry activation, then the internal UVLO logic will prevent output switching until the following three conditions are met: (1) V<sub>CC</sub> UVLO is enabled, (2) V<sub>REF</sub> is in regulation and (3) UVLO pin is greater than 5V.

UVLO can also be used to enable and disable the power converter. An open drain transistor connected to UVLO as shown in Figure 3 provides this capability.

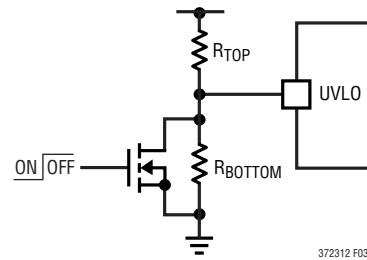


Figure 3. System UVLO Setup

### Off-Line Bias Supply Generation

If a regulated bias supply is not available to provide V<sub>CC</sub> voltage to the LTC3723-1/LTC3723-2 and supporting circuitry, one must be generated. Since the power requirement is small, approximately 1W, and the regulation is not critical, a simple open-loop method is usually the easiest and lowest cost approach. One method that works well is to add a winding to the main power transformer, and post regulate the resultant square wave with an L-C filter (see Figure 4a). The advantage of this approach is that it maintains decent regulation as the supply voltage varies, and it does not require full safety isolation from the input winding of the transformer. Some manufacturers include a primary winding for this purpose in their standard

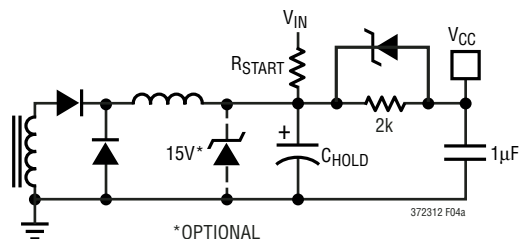


Figure 4a. Auxiliary Winding Bias Supply

## OPERATION

product offerings as well. A different approach is to add a winding to the output inductor and peak detect and filter the square wave signal (see Figure 4b). The polarity of this winding is designed so that the positive voltage square wave is produced while the output inductor is freewheeling. An advantage of this technique over the previous is that it does not require a separate filter inductor and since the voltage is derived from the well-regulated output voltage, it is also well controlled. One disadvantage is that this winding will require the same safety isolation that is required for the main transformer. Another disadvantage is that a much larger  $V_{CC}$  filter capacitor is needed, since it does not generate a voltage as the output is first starting up, or during short-circuit conditions.

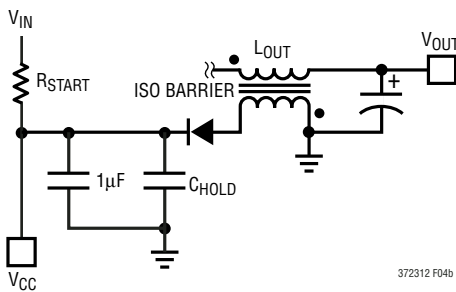


Figure 4b. Output Inductor Bias Supply

### Programming the LTC3723-1/LTC3723-2 Oscillator

The high accuracy LTC3723-1/LTC3723-2 oscillator circuit provides flexibility to program the switching frequency and slope compensation required for current mode control (LTC3723-1). The oscillator circuit produces a 2.35V peak-to-peak amplitude ramp waveform on  $C_T$ . Typical maximum duty cycles of 49% are possible. The oscillator is capable of operation up to 1MHz by the following equation:

$$C_T = 1 / (14.8k \cdot F_{OSC})$$

Note that this is the frequency seen on  $C_T$ . The output drivers switch at 1/2 of this frequency. Also note that higher switching frequency and added driver dead-time via DPRG will reduce the maximum duty cycle.

The LTC3723-1/LTC3723-2 can be synchronized to an external frequency source such as another PWM chip. In

Figure 5, the leading edge of an external pulse is used to terminate the natural clock cycle. If the external frequency is higher than the oscillator frequency, the internal oscillator will synchronize with the external input frequency.

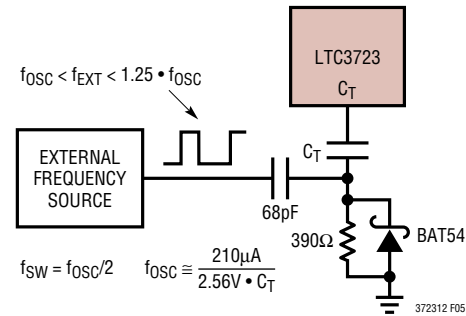


Figure 5. Synchronization from External Source

### Single-Ended Operation

In addition to push-pull and full-bridge topologies, single-ended topologies such as the forward and flyback converter can benefit from the many advanced features of the LTC3723. In Figure 6, the LTC3723 is used with the LTC4440, 100V high side driver to implement a two-transistor forward converter. DRVVB is used which limits the converter's maximum duty cycle to 50% (less programmable driver dead time).

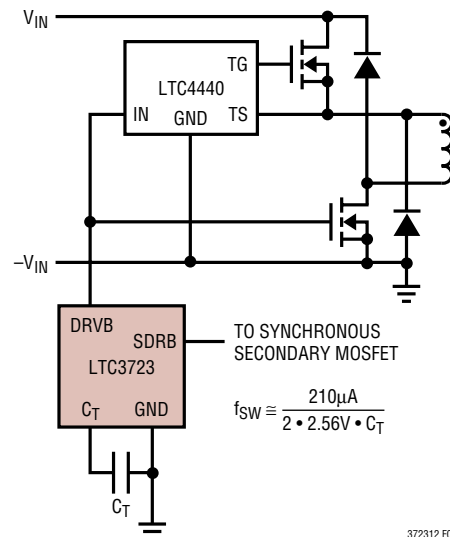


Figure 6. Two-Transistor Forward Converter (Duty Cycle < 50%)

## OPERATION

The 50% duty-cycle limit is overcome with the circuit shown in Figure 7. Operation is similar to external synchronization, except DRVA output is used to terminate its own clock cycle early. Switching period is now equal to the oscillator period plus programmable driver dead time. Maximum on time is equal to oscillator period minus driver dead time.

Although near 100% duty cycle operation may be of benefit with non-isolated converters, it is often desirable to limit the duty cycle of single-ended isolated converters. Instead of immediately ending the unused clock's output, Figure 8 uses a transistor to switch in additional timing capacitor charge current. This allows one to preset the maximum duty.

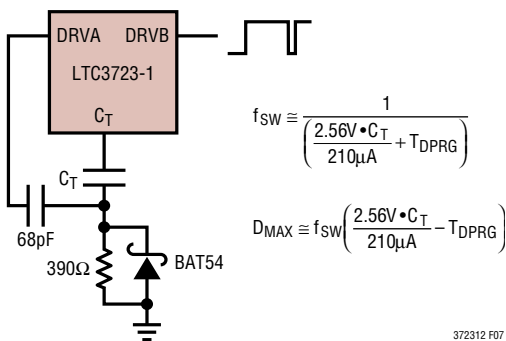


Figure 7. LTC3723-1 > 50% Duty Cycle

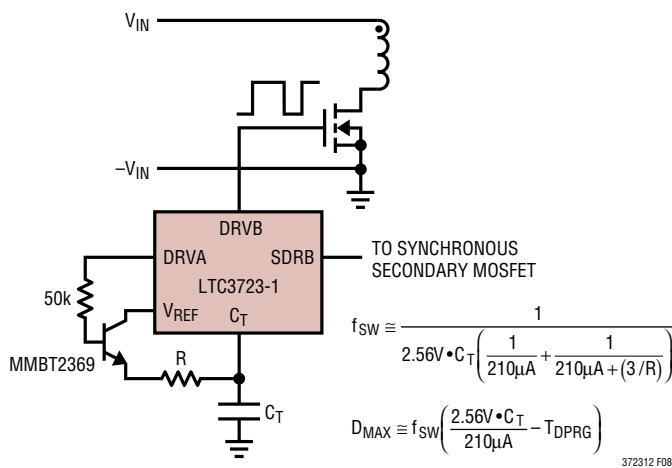


Figure 8. LTC3723-1 One-Switch Forward or Flyback Converter (Maximum Duty Cycle 50% to 100%)

## Voltage Mode with LTC3723-2

Figure 9 shows how basic connections differ between current mode LTC3723-1 and voltage mode LTC3723-2. Oscillator may be used as the ramp input or the LTC3723-2 includes an internal 10mA ramp discharge useful when implementing voltage feedforward. Open loop control in which the duty cycle varies inversely proportional to input voltage is shown in Figure 10.

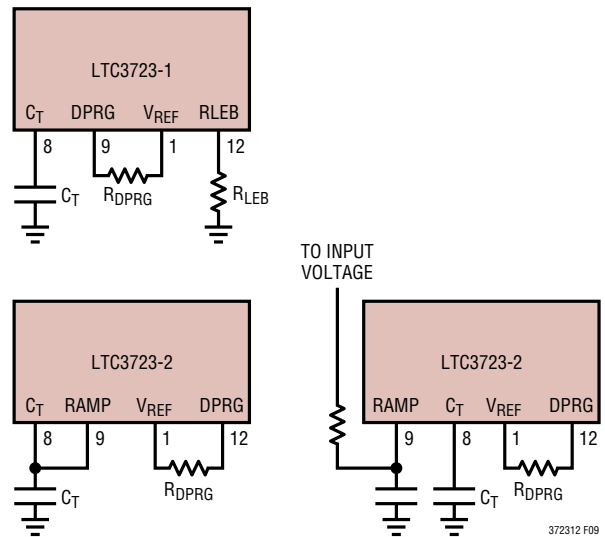


Figure 9. LTC3723-1 Current Mode and LTC3723-2 Voltage Mode Connections

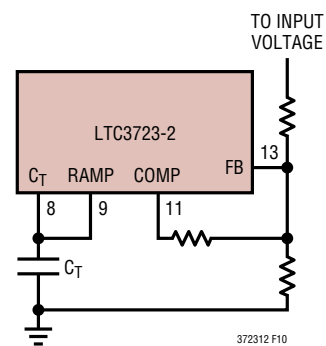


Figure 10. LTC3723-2 Open Loop Control (Duty Cycle is Inversely Proportional to Input Voltage)

## OPERATION

The LTC3723-1 derives a compensating slope current from the oscillator ramp waveform and sources this current out of CS. This function is disabled in the LTC3723-2. The desired level of slope compensation is selected with an external resistor connected between CS and the external current sense resistor, (Figure 11).

### Current Sensing and Overcurrent Protection

Current sensing provides feedback for the current mode control loop and protection from overload conditions. The LTC3723-1/LTC3723-2 are compatible with either resistive sensing or current transformer methods. Internally connected to the LTC3723-1/LTC3723-2 CS pin are two comparators that provide pulse-by-pulse and overcurrent shutdown functions respectively, (Figure 12).

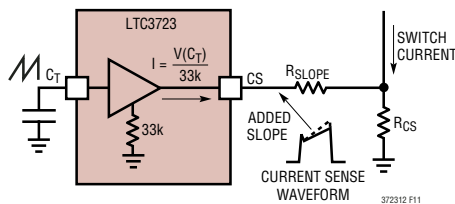


Figure 11. Slope Compensation Circuitry

The pulse-by-pulse comparator has a 300mV nominal threshold. If the 300mV threshold is exceeded, the PWM cycle is terminated. The overcurrent comparator is set approximately 2x higher than the pulse-by-pulse level. If the current signal exceeds this level, the PWM cycle is terminated, the soft-start capacitor is quickly discharged and a soft-start cycle is initiated. If the overcurrent condition persists, the LTC3723-1/LTC3723-2 halts PWM operation and waits for the soft-start capacitor to charge up to approximately 4V before a retry is allowed. The soft-start capacitor is charged by an internal 13μA current source. If the fault condition has not cleared when soft-start reaches 4V, the soft-start pin is again discharged and a new cycle is initiated. This is referred to as hiccup mode operation. In normal operation and under most abnormal conditions, the pulse-by-pulse comparator is fast enough to prevent hiccup mode operation. In severe cases, however, with high input voltage, very low  $R_{DS(ON)}$  MOSFETs and a shorted output, or with saturating magnetics, the overcurrent comparator provides a means of protecting the power converter.

### Leading Edge Blanking

The LTC3723-1/LTC3723-2 provides programmable leading edge blanking to prevent nuisance tripping of the current sense circuitry. Leading edge blanking relieves the filtering requirements for the CS pin, greatly improving the response to real overcurrent conditions. It also allows the use of a ground referenced current sense resistor or transformer(s), further simplifying the design. With a single 10k to 100k resistor from  $R_{LEB}$  to GND, blanking times of approximately 40ns to 320ns are programmed. If not required, connecting  $R_{LEB}$  to  $V_{REF}$  can disable leading edge blanking. Keep in mind that the use of leading edge blanking will slightly reduce the linear control range for the pulse width modulator.

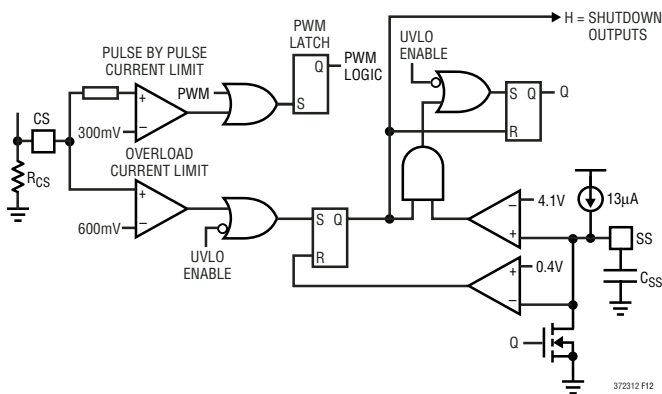


Figure 12. Current Sense/Fault Circuitry Detail

## OPERATION

### High Current Drivers

The LTC3723-1/LTC3723-2 high current, high speed drivers provide direct drive of external power N-channel MOSFET switches. The drivers swing from rail to rail. Due to the high pulsed current nature of these drivers (1.5A sink, 1A source), care must be taken with the board layout to obtain advertised performance. Bypass  $V_{CC}$  with a  $1\mu\text{F}$  minimum, low ESR, ESL ceramic capacitor. Connect this capacitor with minimal length PCB leads to both  $V_{CC}$  and GND. A ground plane is highly recommended. The driver output pins (DRVA, DRVB) connect to the gates of the external MOSFET switches. The PCB traces making these connections should also be as short as possible to minimize overshoot and undershoot of the drive signal.

### Synchronous Rectification

The LTC3723-1/LTC3723-2 produces the precise timing signals necessary to control secondary side synchronous rectifier MOSFETs on SDR A and SDR B. Synchronous rectifiers are used in place of Schottky or silicon diodes on the secondary side to improve converter efficiency. As MOSFET  $R_{DS(ON)}$  levels continue to drop, significant efficiency improvements can be realized with synchronous rectification, provided that the MOSFET switch timing is optimized. Synchronous rectification also provides bipolar output current capability, that is, the ability to sink as well as source current.

### Programming the Synchronous Rectifier Turn-Off Delay

The LTC3723-1/LTC3723-2 controllers include a feature to program the turn-off edge of the secondary side synchronous rectifier MOSFETs relative to the beginning of a

new primary side power delivery pulse. This feature provides optimized timing for the synchronous MOSFETs which improves efficiency. At higher load currents it becomes more advantageous to delay the turn-off of the synchronous rectifiers until the beginning of the new power pulse. This allows for secondary freewheeling current to flow through the synchronous MOSFET channel instead of its body diode.

The turn-off delay is programmed with a resistor from SPRG to GND, (Figure 13). The nominal regulated voltage on SPRG is 2V. The external resistor programs a current which flows out of SPRG. The delay can be adjusted from approximately 20ns to 200ns, with resistor values of 10k to 200k. Do not leave SPRG floating. The amount of delay can also be modulated based on an external current source that sinks current out of SPRG. Care must be taken to limit the current out of SPRG to  $350\mu\text{A}$  or less.

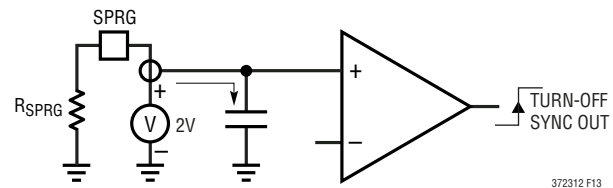
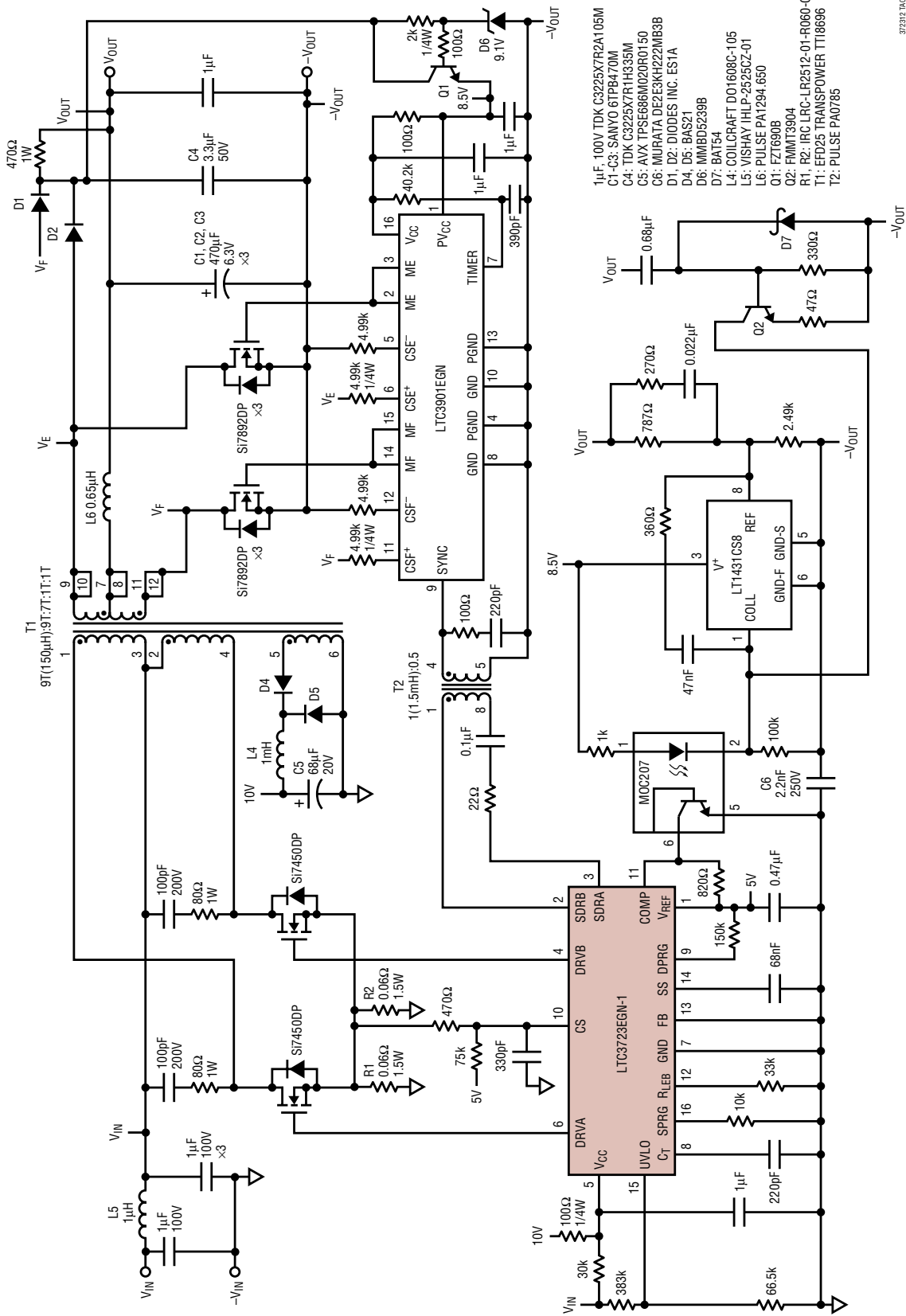


Figure 13. Synchronous Delay Circuitry

372312 F13

TYPICAL APPLICATIONS

165W, 36V to 72V to 3.3V at 50A Isolated Push-Pull Converter



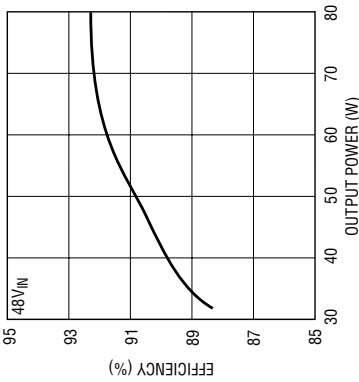
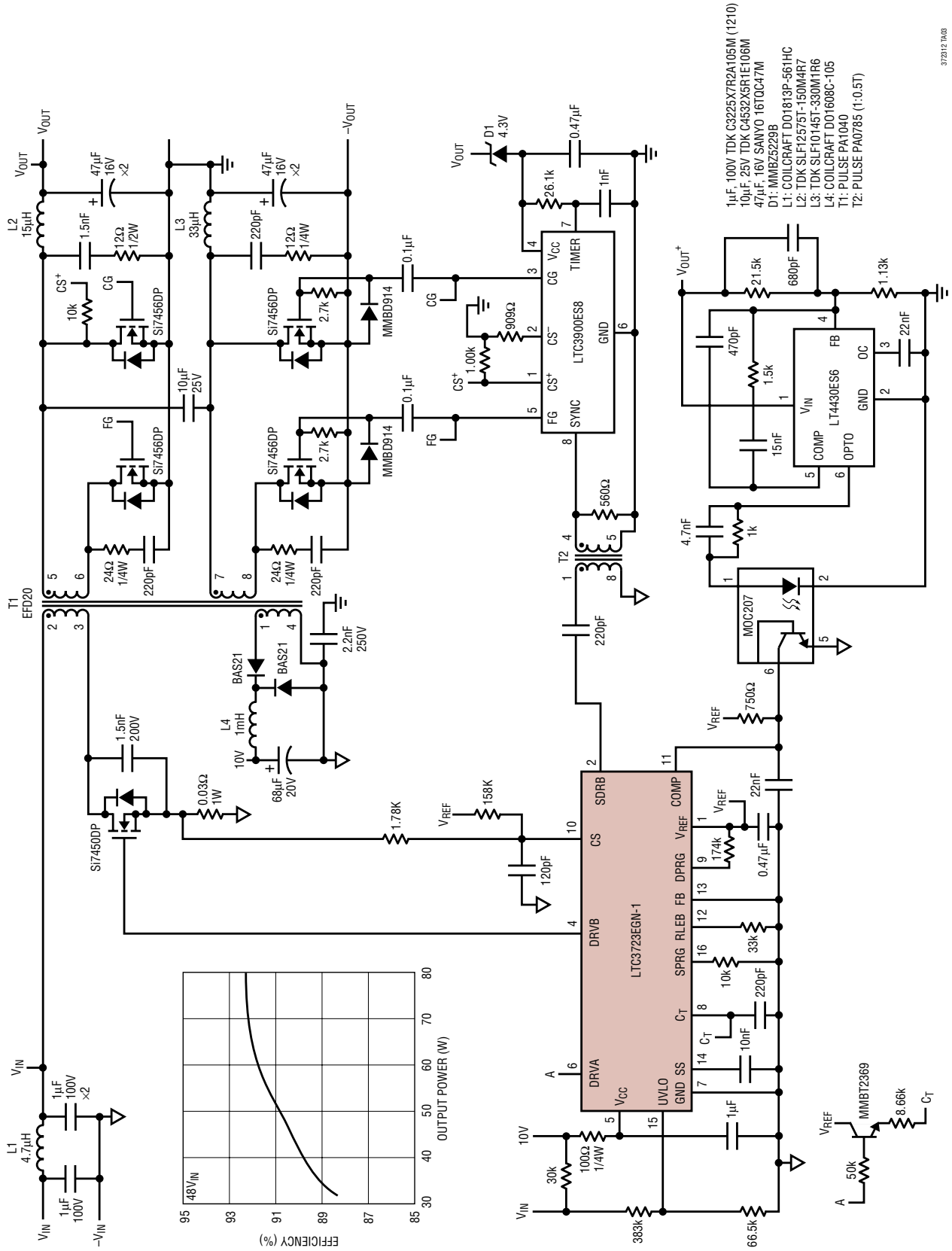
- 1μF, 100V TDK C3225X7R2A105M
- C1-C3: SANYO 61PB470M
- C4: TDK C3225X7R1H335M
- C5: AVX TP5668M02R0R150
- C6: MURATA DE2E3KH222MB38
- D1, D2: DIODES INC. ES1A
- D4, D5: BAS21
- D6: 1M1BDD5239B
- D7: BA154
- L4: COILCRAFT DO1608C-105
- L5: VISHAY IHP-2525CZ-01
- L6: PULSE PA1294.650
- O1: FZT690B
- O2: FMMT3904
- R1, R2: IRC LR2512-01-R060-G
- T1: EFD25 TRANSPOWER TT18696
- T2: PULSE PA0785

372312 TAB2



TYPICAL APPLICATIONS

LTC3723-1 36V<sub>IN</sub> to 12V<sub>IN</sub> to 12V/5A and -12V/1.6A Forward Converter

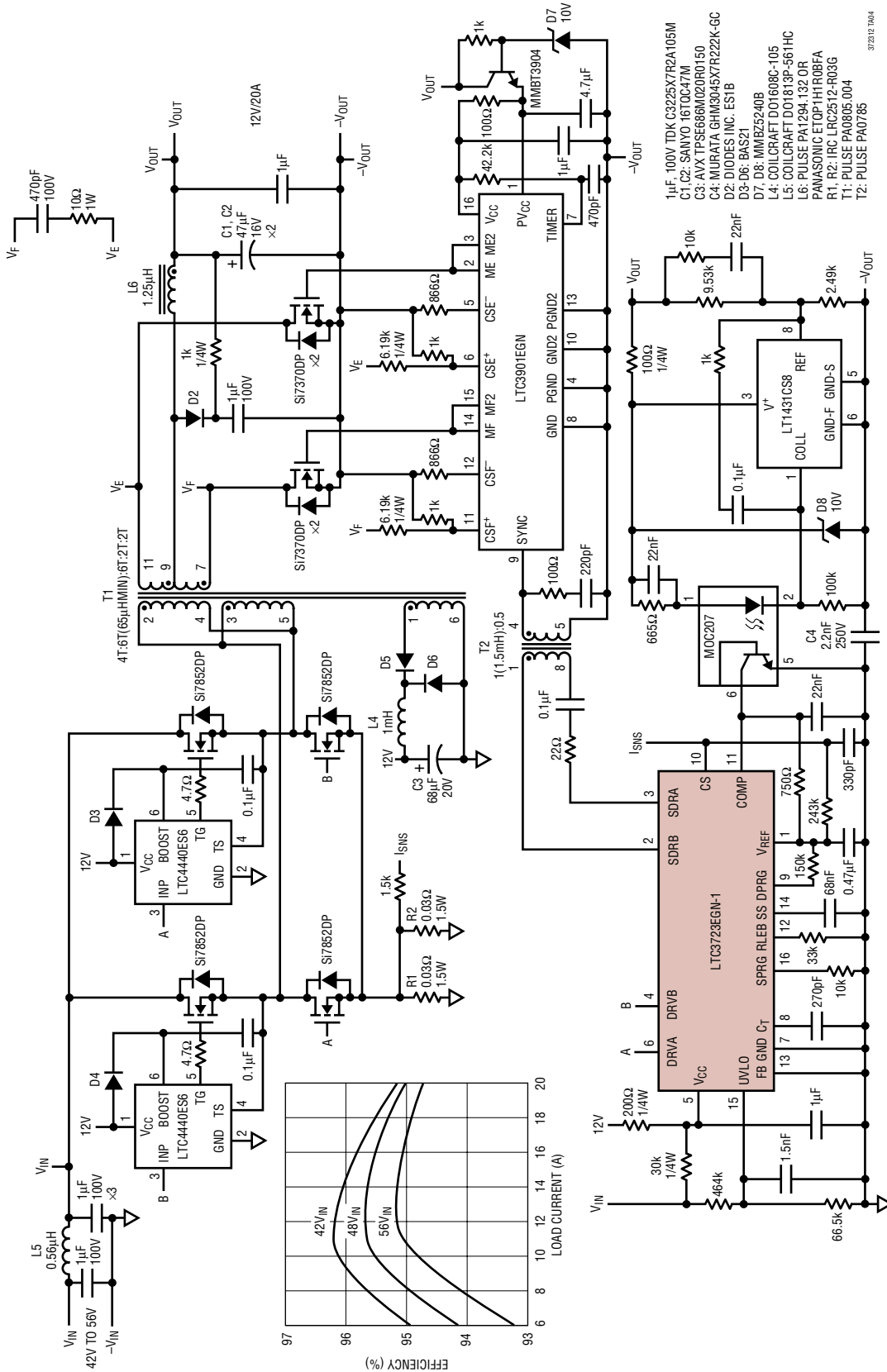


- 1µF, 100V TDK C3225X7R2A105M (1210)
- 10µF, 25V TDK C4632X5R1E106M
- 47µF, 16V SANYO 1610C47M
- D1: MMBZ5229B
- L1: COILCRAFT DO1813P-561HC
- L2: TDK SLF125751-150M4R7
- L3: TDK SLF10145T-330M1R6
- L4: COILCRAFT DO1808C-105
- T1: PULSE PA1040
- T2: PULSE PA0785 (1:0.5T)

3723121A/03

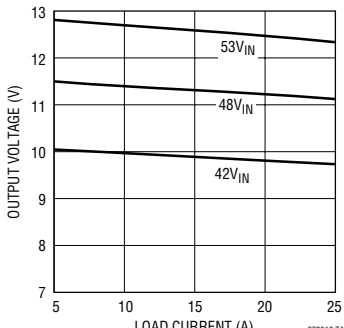
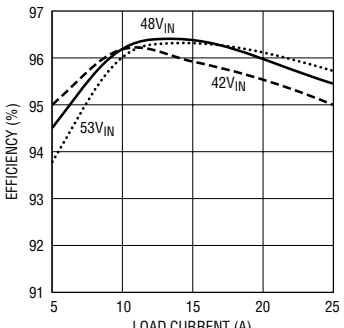
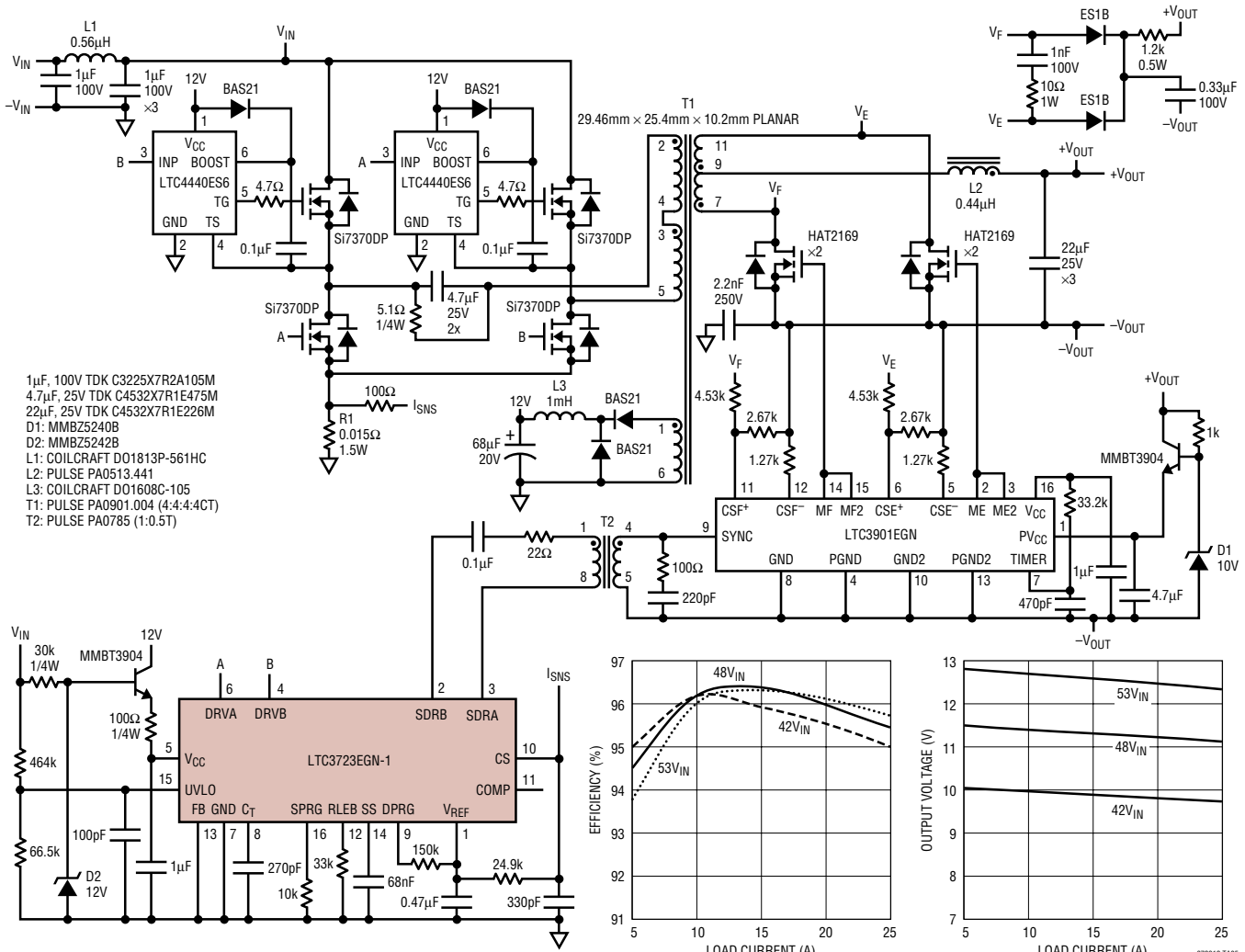
## TYPICAL APPLICATIONS

LTC3723-1 240W 42V<sub>IN</sub> to 12V/20A Isolated 1/4Brick (2.3" × 1.45")



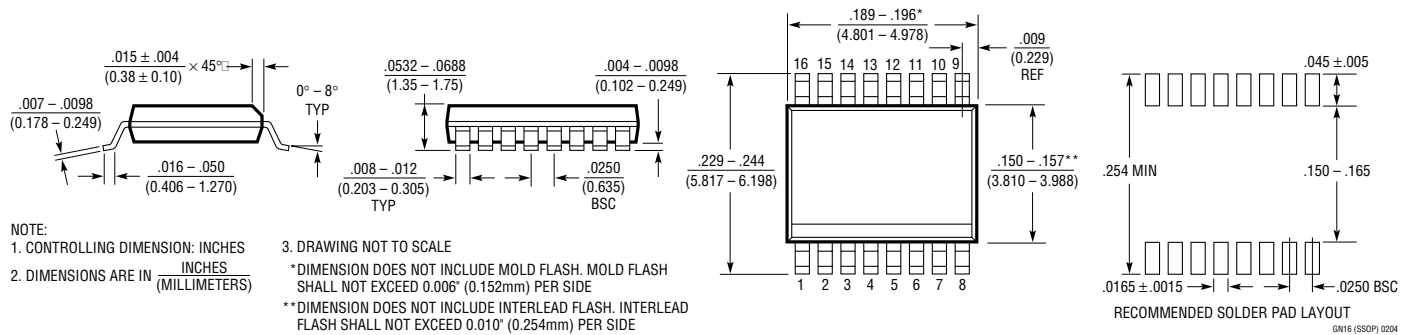
# TYPICAL APPLICATIONS

LTC3723-1 300W 42V<sub>IN</sub> to 56V<sub>IN</sub> to 12V/25A Isolated Bus Converter



# PACKAGE DESCRIPTION

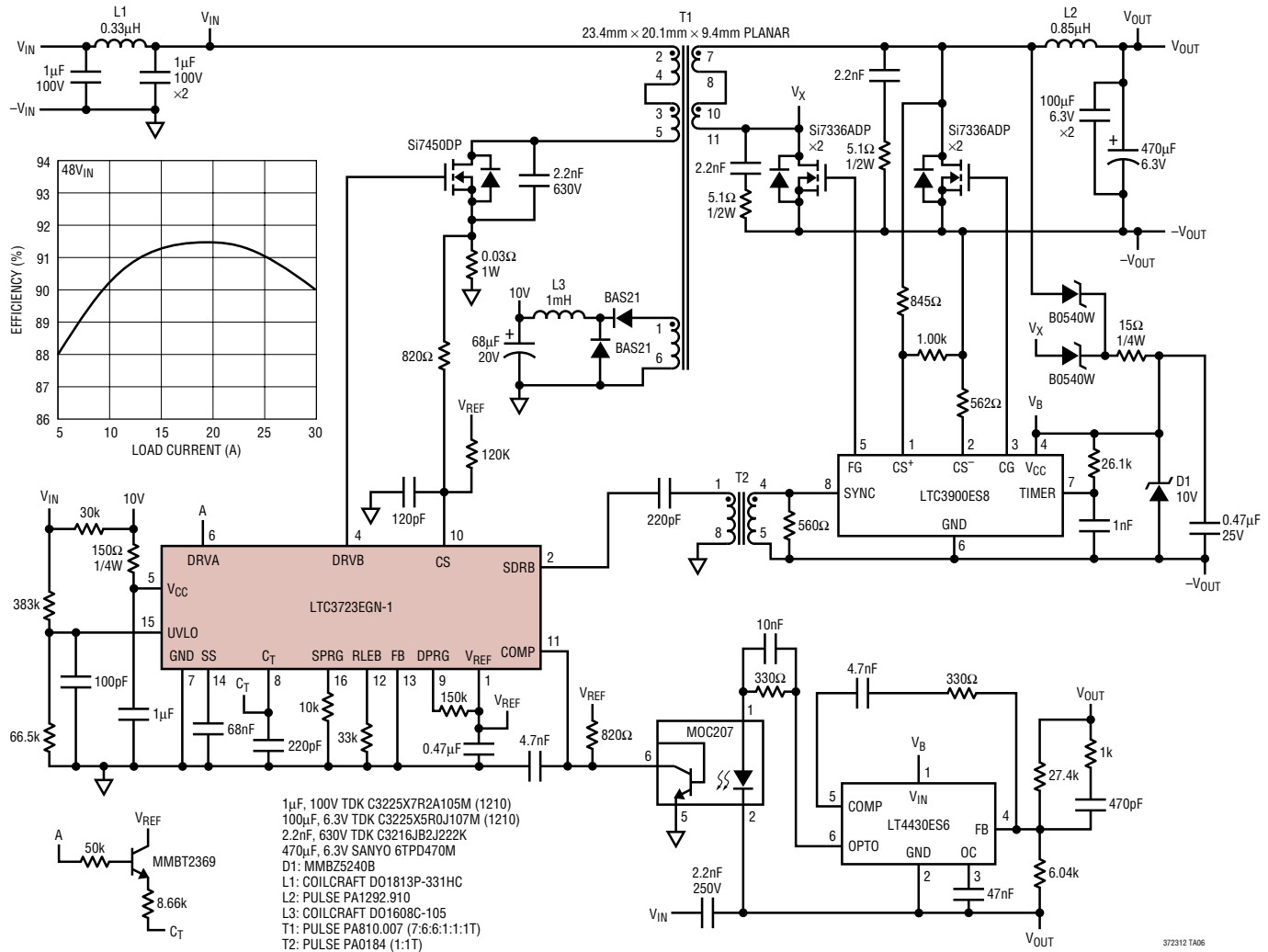
**GN Package**  
**16-Lead Plastic SSOP (Narrow .150 Inch)**  
 (Reference LTC DWG # 05-08-1641)



# LTC3723-1/LTC3723-2

## TYPICAL APPLICATION

### LTC3723-1 100W, 36V<sub>IN</sub> to 72V<sub>IN</sub> to 3.3V/30A Isolated Forward Converter



## RELATED PARTS

PART NUMBER	DESCRIPTION	COMMENTS
LT <sup>®</sup> 1952	Single Switch Synchronous Forward Controller	High Efficiency, Adjustable Volt-Second Clamp, True PWM Soft-Start
LTC3705/LTC3706/ LTC3725/LTC3726/	Isolated Power Supply DC/DC Converter Chipset	Simple as Buck Circuit, No Opto-Coupler, Fast Transient Response, PolyPhase <sup>®</sup> Operation Capability, Scalable for Higher Power
LTC3722-1/LTC3722-2	Dual Mode Phase Modulated Full-Bridge Controllers	ZVS Full-Bridge Controllers
LT3804	Secondary-Side Dual Output Controller with Opto Driver	Regulates Two Secondary Outputs; Optocoupler Feedback Driver and Second Output Synchronous Driver Controller
LTC3901	Secondary-Side Synchronous Driver for Push-Pull and Full Bridge Converters	Drives N-Channel Synchronous MOSFETs, Programmable Timeout, Reverse Current Limit
LT4430	Secondary-Side Optocoupler Driver	Overshoot Control on Start-Up and Short-Circuit Recovery, 600mV Reference, ThinSOT <sup>™</sup> Package
LTC4440	High Speed High Voltage High Side Gate Driver	80V Operation, 100V Tolerant, 1.5 $\Omega$ Pull-Down, 2.4A Pull-Up

PolyPhase is a registered trademark of Linear Technology Corporation. ThinSOT is a trademark of Linear Technology Corporation.

## X-ON Electronics

Largest Supplier of Electrical and Electronic Components

*Click to view similar products for [Switching Voltage Regulators](#) category:*

*Click to view products by [Analog Devices](#) manufacturer:*

Other Similar products are found below :

[TLF30682QVS01XUMA1](#) [LMR33620CRNXR](#) [TPSM84209RKHR](#) [FAN53526UC106X](#) [FAN53526UC128X](#) [FAN53611AUC123X](#)  
[MP1587EN-LF](#) [AP3602AKTR-G1](#) [FAN48610BUC33X](#) [FAN48617UC50X](#) [FAN53526UC89X](#) [MIC45116-1YMP-T1](#) [MP2225GJ-P](#)  
[NCV891234MW50R2G](#) [A6986F5VTR](#) [AST1S31PUR](#) [SIC473ED-T1-GE3](#) [16017](#) [A6986FTR](#) [NCP81103MNTXG](#) [NCP81203PMNTXG](#)  
[MAX17242ETPA+](#) [MAX16935RATEB/V+](#) [MP2313GJ-Z](#) [NCP81208MNTXG](#) [MP8759GD-Z](#) [FAN53526UC84X](#) [PCA9412AUKZ](#)  
[MP2314SGJ-Z](#) [AS1340A-BTDM-10](#) [MP3421GG-P](#) [NCP81109GMNTXG](#) [NCP3235MNTXG](#) [MP6003DN-LF-Z](#) [MAX16935BAUES/V+](#)  
[LT8315IFE#PBF](#) [SCY1751FCCT1G](#) [NCP81109JMNTXG](#) [MAX16956AUBA/V+](#) [AP3409ADNTR-G1](#) [SIC474ED-T1-GE3](#) [A6986F3V3TR](#)  
[MPQ2454GH](#) [MPQ2454GH-AEC1](#) [MP21148GQD-P](#) [AS3701B-BWLM-68](#) [SC21150ACSTRT](#) [MPQ2143DJ-P](#) [MP9942AGJ-P](#) [MP8869GL-](#)  
[P](#)