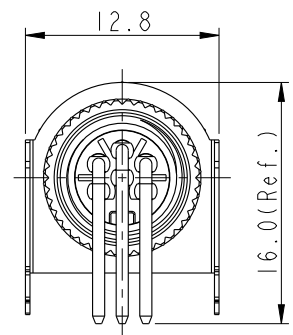
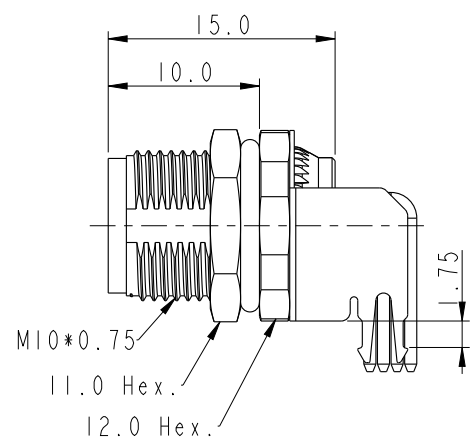
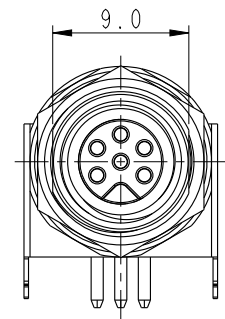
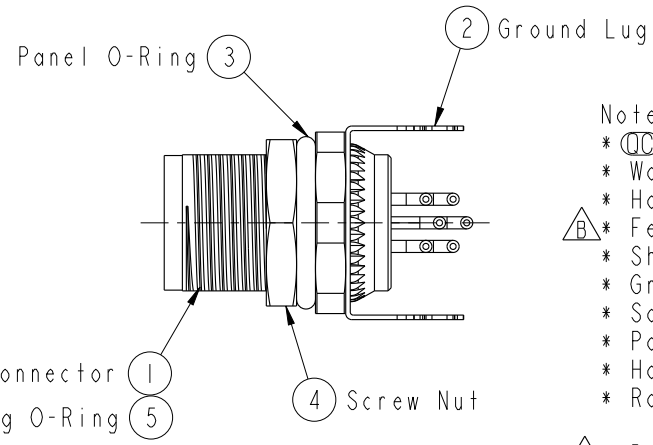


THIS DOCUMENT IS SUBJECT TO CHANGE WITHOUT NOTICE. IT IS CONFIDENTIAL AND A PROPERTY OF Amphenol LTW. DISCLOSURE TO THIRD PARTY HAS TO BE AUTHORIZED BY Amphenol LTW.

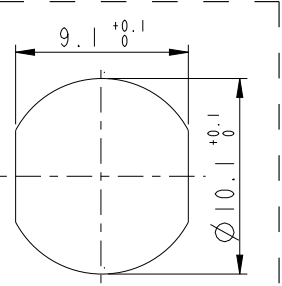
REV.	ECN NO.	DATE	SIGN	DESCRIPTION
B	LEN16B0005-009	2016/11/01	Yulong_wang	Change the Note.



ALTW
CONFIDENTIAL
 2016-11-01
R&D DEPT.



- Note:
- * \varnothing Important Dimension.
 - * Waterproof Rate: IP68.
 - * Housing: Nylon+GF, Black.
 - * $\triangle B$ Female Pin: Copper Alloy, Gold Plated.
 - * Shell: Metal, Nickel Plated.
 - * Ground Lug: Copper Alloy, Nickel Plated.
 - * Screw Nut: Copper Alloy, Nickel Plated.
 - * Panel O-Ring: Viton, Green.
 - * Housing O-Ring: Viton, Green.
 - * Rated Voltage: 2 & 3Pin 60V dc. or ac.
4 ~ 6Pin 30V dc. or ac.
 - * $\triangle B$ Rated Current: 2 ~ 4Pin 3A
5 & 6Pin 1.5A
 - * Operating Temperature: -20~+85°C
 - * For Panel Thickness: Min=2.0mm, Max=4.5mm.
 - * For PCB Thickness: Max=1.6mm.
 - * Recommended Nut Torque: 4~6kgf.cm.



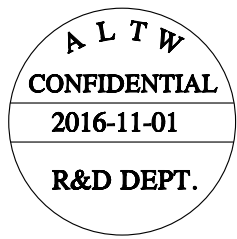
Recommended Panel Cut-Out

UNIT: mm		
TOLERANCE		
.X	±0.25	
.XX	±0.1	
.XXX	±0.05	
ANGLES	±1°	

TITLE M8 Female Conn. Panel 90° PCB Type w/Key Shielded			
SCALE 2:1	SIZE A4	SHEET 1 OF 2	
REV. B	WC-REV. A.6	\varnothing Inspection item	

Amphenol LTW
 安費諾亮泰企業股份有限公司

ITEM NO.	DRAWN BY Yulong_wang	DATE 2016-11-01
DWG NO. M8AS-XXPFFR-SF8001	CHECKED BY Jinhai	DATE 2016-11-01
CUSTOMER ALTW	APPROVED BY Jerry	DATE 2016-11-01

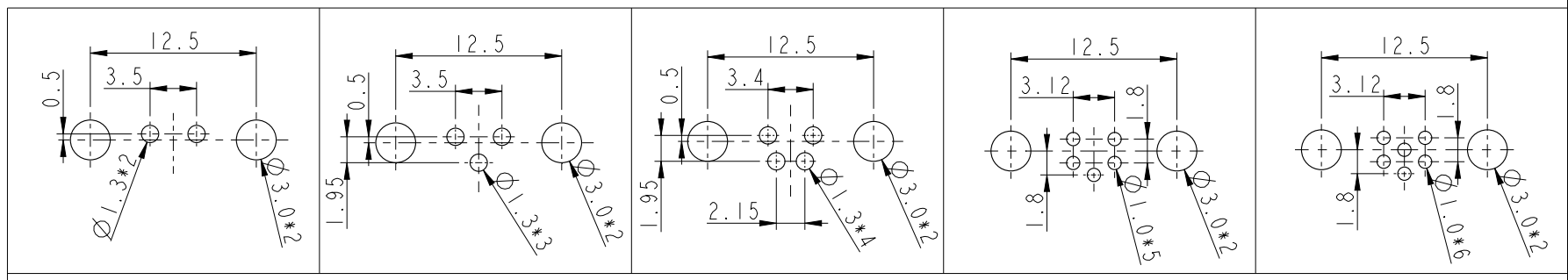


M 8AS - XX P F F R - S F 8 001

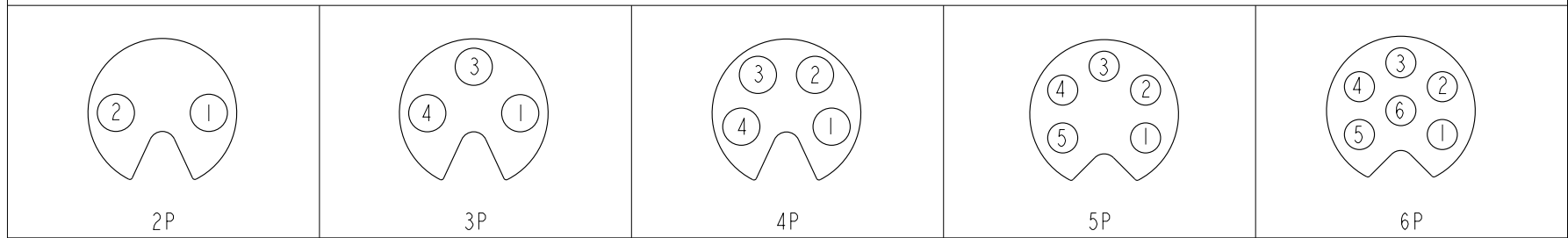
8AS: M8 Sensor Shielded(w/Key)
 02: 2Pin
 03: 3Pin
 04: 4Pin
 05: 5Pin
 06: 6Pin

P: Panel (板端)
 F: Female Connector (母座)

001: Phantom (虛擬料號)
 8: IP68 (防水等級68)
 F: Front Fasten (前鎖式/Enclosure Rear Mount)
 S: Screw (螺紋式)
 R: 90° PCB THT/DIP Type (90° 基板插件式)
 F: Female Pin (母Pin)



Recommend PCB Layout



Pin Assignmen Front View

UNIT: mm

TOLERANCE	
.X	±0.25
.XX	±0.1
.XXX	±0.05
ANGLES	±1°

TITLE M8 Female Conn. Panel 90° PCB Type w/Key Shielded			
SCALE 2:1	SIZE A4	SHEET 2 OF 2	
REV. B	WC-REV. A.6	☉: Inspection item	

Amphenol LTW
 安費諾亮泰企業股份有限公司

ITEM NO	DWG NO	CUSTOMER
	M8AS-XXPFFR-SF8001	ALTW

DRAWN BY Yulong_wang	CHECKED BY Jinhai	APPROVED BY Jerry
-------------------------	----------------------	----------------------

DATE 2016-11-01	DATE 2016-11-01	DATE 2016-11-01
--------------------	--------------------	--------------------

X-ON Electronics

Largest Supplier of Electrical and Electronic Components

Click to view similar products for [Circular Metric Connectors](#) category:

Click to view products by [Amphenol](#) manufacturer:

Other Similar products are found below :

[1424048](#) [1021212](#) [600X518037X](#) [6STD09SAM99B70X](#) [6STD15PCR99B70A](#) [8R4000A16M020](#) [1200910002](#) [1201150041](#) [1203580030](#)
[1200700064](#) [1200700263](#) [1200700416](#) [1200730102](#) [1200770002](#) [1-2823588-2](#) [130203-0054](#) [1300140026](#) [1300150099](#) [1-3637-600-5205](#)
[1545399](#) [1594331](#) [1600413](#) [1612606](#) [1612618](#) [1614660](#) [1A4000-348](#) [CA06EW24-10P-B-03](#) [21036836414](#) [2823064-1](#) [1610759](#) [A1642LK-](#)
[II-T](#) [1R3006A20M005](#) [41-01016](#) [41-40011](#) [41-40017](#) [42-00006](#) [42-01015](#) [4-22279-4](#) [4-22281-1](#) [4-22284-9](#) [43-00002](#) [43-00113](#) [43-00130](#)
[43-01028](#) [43-01034](#) [43-01088](#) [43-01090](#) [43-01203](#) [43-01209](#) [43-01335](#)