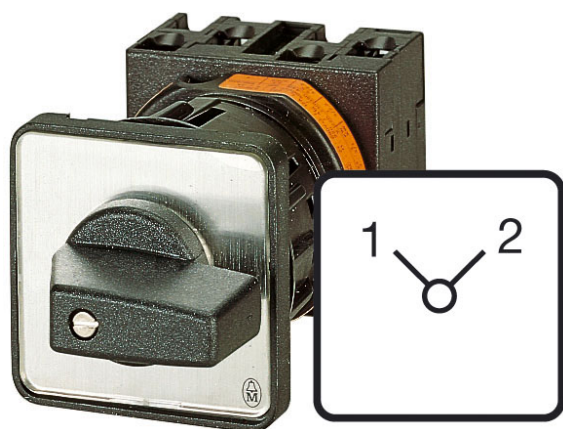


Type: **T0-3-8222/EZ**  
 Article No.: **015118**  
 Sales text **2 WAY SWITCH**

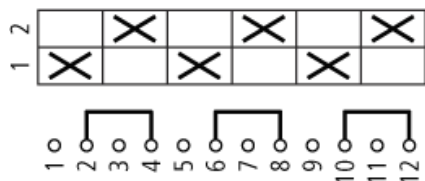


With black thumb-grip and grey front plate

### Ordering information

Design			Centre mounting
Description			Without 0 (Off) position
Description			Changeover switches
No. of poles		M	3
Max. motor rating			
AC-23A 400/415 V 50-60 Hz	<i>P</i>	kW	6.5
Rated uninterrupted current	<i>I<sub>u</sub></i>	A	20

### Contact sequence



### Front plate no.



### General

Standards			IEC/EN 60947, VDE 0660, IEC/EN 60204, CSA, UL Switch-disconnectors to IEC/EN 60947-3
-----------	--	--	--

			Load-break switches to IEC/EN 60947-3
Lifespan, mechanical	Operations	$\times 10^6$	1
Maximum operating frequency	Operations/h		3000
Climatic proofing			Damp heat, constant, to IEC 60068-2-78; Damp heat, cyclical, to IEC 60068-2-30
Ambient temperature			
Open		°C	-25...50
Enclosed		°C	-25...40
Mounting position			As required
Mechanical shock resistance to IEC 60068-2-27	Half-sinusoidal shock 20 ms	g	> 15

### Contacts

Rated operational voltage	$U_e$	V AC	690
Rated impulse withstand voltage	$U_{imp}$	V AC	6000
Overtoltage category/pollution degree			III/3
Rated uninterrupted current			
open	$I_u$	A	20
Enclosed	$I_u$	A	20
Load rating with intermittent operation, class 12			
AB 25 % DF		$\times I_e$	2
AB 40 % DF		$\times I_e$	1,6
AB 60 % DF		$\times I_e$	1,3
Short-circuit rating			
Fuse		A gG/gL	20
Rated short-time withstand current (1 s current)	$I_{cw}$	$A_{rms}$	320
Safe isolation to VDE 0106 Part 101 and Part 101/A1			
between the contacts		V AC	440
Switching angles		°	90 60 45 30
Contact units			11
Double-break contacts			max. 22
Current heat loss per contact at $I_e$		W	0,6

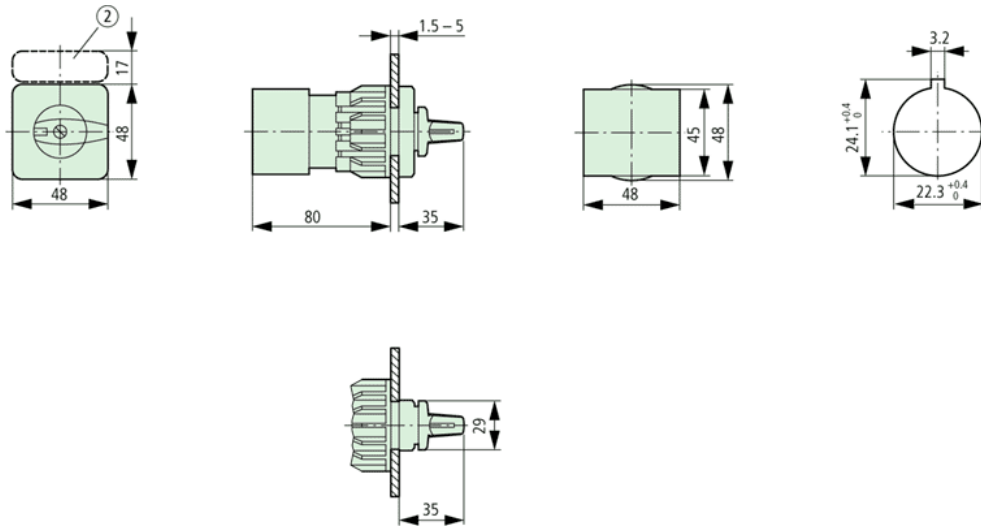
### Terminal capacities

Solid or stranded		mm <sup>2</sup>	1 × (1 – 2.5) 2 × (1 – 2.5)
Flexible with ferrule to DIN 46228		mm <sup>2</sup>	1 × (0.75 – 1.5) 2 × (0.75 – 1.5)
Terminal screw			M3.5
Tightening torque		Nm	1
<b>Switching capacity</b>			
AC			
Rated making capacity cos φ = 0.35		A	130
Rated breaking capacity, motor load switch cos φ = 0.35			
230 V		A	100
400 V		A	110
500 V		A	80
690 V		A	60
Rated operational current 440 V load-break switch AC-21A	<i>I<sub>e</sub></i>	A	20
AC-3 motor load switch motor rating			
230 V	<i>P</i>	kW	3
230 V Star-delta	<i>P</i>	kW	4
400 V	<i>P</i>	kW	4
400 V Star-delta	<i>P</i>	kW	5,5
500 V	<i>P</i>	kW	5,5
500 V Star-delta	<i>P</i>	kW	7,5
690 V	<i>P</i>	kW	4
690 V Star-delta	<i>P</i>	kW	5,5
AC-23A Motor load switches (main switches maintenance switches)			
230 V	<i>P</i>	kW	3,5
400 V	<i>P</i>	kW	6,5
500 V	<i>P</i>	kW	13
Rated operational current control switch AC-15			
230 V	<i>I<sub>e</sub></i>	A	6
400 V	<i>I<sub>e</sub></i>	A	4
500 V	<i>I<sub>e</sub></i>	A	2
DC			

DC-1, Load-break switches L/R = 1 ms			
Rated operational current	$I_e$	A	10
Voltage per contact pair in series		V	60
DC-21A			
Rated operational current 240 V	$I_e$	A	1
240 V Contacts		Quantity	1
DC-23A, motor load switch L/R = 15 ms			
24 V			
Rated operational current	$I_e$	A	10
Contacts		Quantity	1
48 V			
Rated operational current	$I_e$	A	10
Contacts		Quantity	2
60 V			
Rated operational current	$I_e$	A	10
Contacts		Quantity	3
120 V			
Rated operational current	$I_e$	A	5
Contacts		Quantity	3
240 V			
Rated operational current	$I_e$	A	5
Contacts		Quantity	5
DC-13, Control switches L/R = 50 ms			
Rated operational current	$I_e$	A	10
Voltage per contact pair in series		V	32
Control circuit reliability at 24 V DC, 10 mA	Fault probability	$H_F$	$< 10^{-5}$ , < 1 fault in 100000 operations
<b>Notes</b>			
<b>Notes</b>			For mechanical shock resistance: T3.../I... >12g Applies to T0(3).../SVB: isolating characteristics to IEC/EN 60947 U for rated operational voltage up to 500 V AC Applies to rated uninterrupted current $I_u$ of the contact: with T5-4-8344/I5 max. 95 A

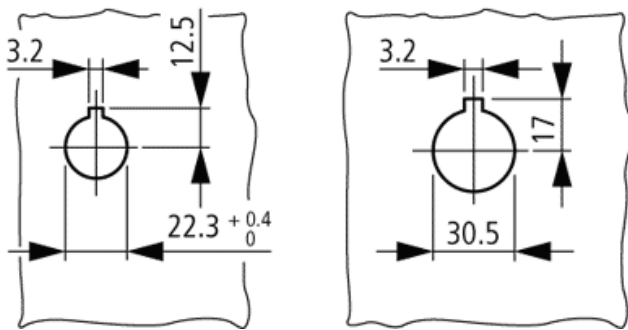
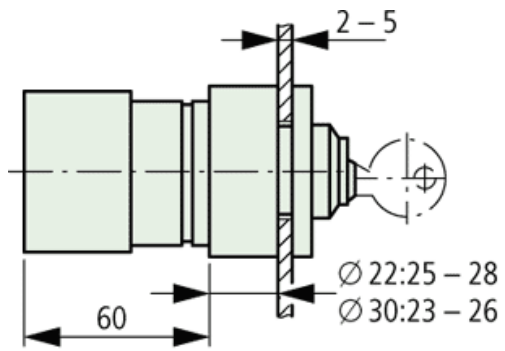
For terminal capacity solid, stranded and flexible:  
 T0(3), (6), (8)...: Maximum of 2 cross-section sizes difference admissible between 2 conductors  
 T5(B)-...: Maximum of 1 cross-section size difference admissible between 2 conductors  
 For type T8-3-8342/... the following applies: switching angle = 90° and flat connection = 1 busbar 25 × 5 or 2 busbars 20 × 3

### Dimensions



not included  
 Depth of a contact unit: 9.5 mm

### Dimensions

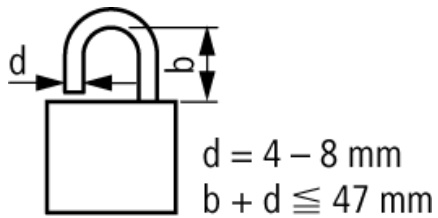



---

T0-3-.../EZ "Y T0-3-.../E + EZ-T0 + S-(SOND-)T0

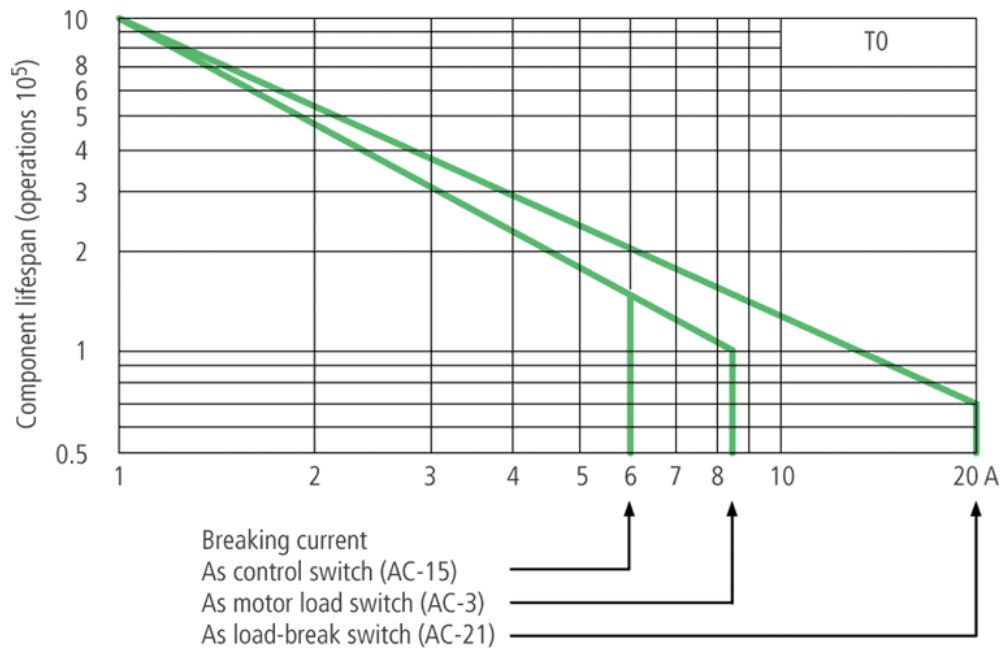
---

### Dimensions




---

### Characteristic curve



For utilisation category AC-4 (extreme load: 100 % inching, reversing or plugging)  
 The blocked rotor current of the motor should not exceed the rated current of the switch for AC-21A  
 to ensure a reasonable device lifespan.

Moeller GmbH, Hein-Moeller-Str. 7-11, D-53115 Bonn  
 E-Mail: [catalog@moeller.net](mailto:catalog@moeller.net), Internet: [www.moeller.net](http://www.moeller.net), <http://catalog.moeller.net>  
 HPL-C2007G V2.1 © 2007 by Moeller GmbH

## **X-ON Electronics**

Largest Supplier of Electrical and Electronic Components

*Click to view similar products for [Eaton](#) manufacturer:*

Other Similar products are found below :

[BK1-S506-2-R](#) [FHN31G1](#) [CH222B](#) [SAMI-2I](#) [SAMI-6I](#) [LPN-RK-25SP](#) [ZE6](#) [ZE9](#) [LPN-RK-15SP](#) [LPN-RK-3SP](#) [SAMI-1I](#) [2499](#) [GMC-500MA](#) [AT-20](#) [BK/SC-45](#) [AGC-1-2](#) [BK/MDA-15](#) [BK/MDA-1](#) [BK/C519-1A](#) [BK/MDL-3-2/10](#) [89096-015](#) [8943K28](#) [8946K153](#) [8961K155](#) [M22-DH-Y](#) [M22-DLH-Y](#) [M22-D-R-GB0/K11](#) [M22-LCH-R](#) [M22-L-R/R](#) [M22-WLK3-B](#) [63ET](#) [6422](#) [6580](#) [CTX20-16-52LP-R](#) [CWL530FI](#) [CXM/CO/GP/R/BB](#) [6HD36](#) [714125](#) [MBO-2](#) [7314K36](#) [7321K2](#) [ETF-200MA](#) [F02A-1-1/2A](#) [F02A-1-1/2AS](#) [F02A-1AS](#) [F02A-3/4A](#) [F03A250V10A](#) [F03A250V12A](#) [MDA-2-8/10-R](#) [MDA-30A](#)