



Group changeover switch, 3p, I_e=12A, FS 2-0-1, 45°, maintained, 48x48 mm, center mounting



Powering Business Worldwide™

Part no. T0-3-15423/EZ
Article no. 036482

Catalog No. CT03-15423-CEKBQ



Delivery programme

Product range
Basic function
Part group reference

Main circuits
Poles



Protection type
Design

Contact sequence

Front plate no.

Bemessungsbetriebsleistung AC-23A,
50 - 60 Hz
400 V
Rated uninterrupted current

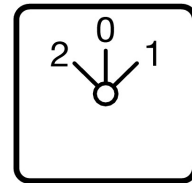
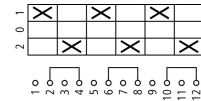
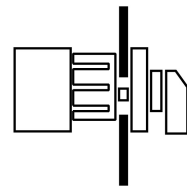
P
I_u

kW
A

6.5
20

Control switches
Changeover switches
T0
with black thumb grip and front plate
3

Front IP65
centre mounting



FS 429

Approvals

Product Standards
UL File No.
UL Category Control No.
CSA File No.
CSA Class No.
North America Certification
Specially designed for North America
Suitable for
Degree of Protection

UL 508; CSA-C22.2 No. 14-05; IEC/EN 60947-3; CE marking
E36332
NLRV
12528
3211-05
UL listed, CSA certified
Yes, in combination with "+NA" (105864)
Branch circuits
IEC: IP65; UL/CSA Type 3R, 12

General

Standards

Climatic proofing

Ambient temperature

Open

Enclosed

Overvoltage category/pollution degree

Rated impulse withstand voltage

Mechanical shock resistance

Mounting position

Protection against direct contact when actuated from front (EN 50274)

		IEC/EN 60947, VDE 0660, IEC/EN 60204, CSA, UL Switch-disconnector according to IEC/EN 60947-3
		Damp heat, constant, to IEC 60068-2-78 Damp heat, cyclic, to IEC 60068-2-30
	°C	
	°C	-25 - +50
	°C	-25 - +40
		III/3
U _{imp}	V AC	6000
	g	15
		As required
		Finger and back-of-hand proof

Contacts

Mechanical variables

--	--	--

Main circuits
Poles
Electrical characteristics
Rated operational voltage
Rated uninterrupted current
Note on rated uninterrupted current I_u
Load rating with intermittent operation, class 12
AB 25 % DF
AB 40 % DF
AB 60 % DF
Short-circuit rating
Fuse
Rated short-time withstand current (1 s current)
Note on rated short-time withstand current I_{cw}

		3
U_e	V AC	690
I_u	A	20
		Rated uninterrupted current I_u is specified for max. cross-section.
	$\times I_e$	2
	$\times I_e$	1.6
	$\times I_e$	1.3
	A gG/ gL	20
I_{cw}	A_{rms}	320
		Current for a time of 1 second

Switching capacity

Bemessungsausschaltvermögen $\cos \varphi$ nach IEC 60947-3

230 V
400/415 V
500 V
690 V
Safe isolation to EN 61140
between the contacts
Current heat loss per contact at I_e

Lifespan, mechanical

Maximum operating frequency

AC

AC-3

Rating, motor load switch

220 V 230 V
230 V Star-delta
400 V 415 V
400 V Star-delta
500 V
500 V Star-delta
690 V
690 V Star-delta

Bemessungsbetriebsstrom Motorschalter

230 V
230 V star-delta
400V 415 V
400 V star-delta
500 V
500 V star-delta
690 V
690 V star-delta

AC-15

Rated operational current control switch

230 V
400 V 415 V
500 V

AC-21A

	A	
	A	100
	A	110
	A	80
	A	60
	V AC	440
	W	0.6
Operations	$\times 10^6$	> 0.4
Operations/ h		1200
P	kW	
P	kW	3
P	kW	4
P	kW	4
P	kW	5.5
P	kW	5.5
P	kW	7.5
P	kW	4
P	kW	5.5
I_e	A	11.5
I_e	A	14.8
I_e	A	11.5
I_e	A	11.3
I_e	A	9
I_e	A	12.1
I_e	A	4.9
I_e	A	6.5
I_e	A	6
I_e	A	4
I_e	A	2

Bemessungsbetriebsstrom Lastschalter
440 V
AC-23A
Bemessungsbetriebsleistung AC-23A, 50 - 60 Hz
230 V
400 V 415 V
500 V
690 V
Bemessungsbetriebsstrom Motorschalter
230 V

DC

DC-1, Load-break switches L/R = 1 ms

Rated operational current

Voltage per contact pair in series

DC-21A

Rated operational current

Contacts

DC-23A, motor load switch L/R = 15 ms

24 V

Rated operational current

Contacts

48 V

Rated operational current

Contacts

60 V

Rated operational current

Contacts

120 V

Rated operational current

Contacts

240 V

Rated operational current

Contacts

DC-13, Control switches L/R = 50 ms

Rated operational current

Voltage per contact pair in series

Control circuit reliability at 24 V DC, 10 mA

I_e	A	20
P	kW	
P	kW	3.5
P	kW	6.5
P	kW	7.5
P	kW	6.5
I_e	A	13.3
I_e	A	10
	V	60
I_e	A	
I_e	A	1
	Quantity	1
I_e	A	10
	Quantity	1
I_e	A	10
	Quantity	2
I_e	A	10
	Quantity	3
I_e	A	5
	Quantity	3
I_e	A	5
	Quantity	5
I_e	A	10
	V	32
Fault probability	H_F	$< 10^{-5}$, < 1 fault in 100000 operations

Terminal capacities

Flexible with ferrules to DIN 46228

Flexible with ferrule

Terminal screw

Max. tightening torque

	mm^2	
	mm^2	1 x (0.75 - 1.5) 2 x (0.75 - 1.5)
		M3.5
	Nm	1

Technical data ETIM 5.0

Low-voltage industrial components (EG000017) / Off-load switch (EC001105)

Electric engineering, automation, process control engineering / Low-voltage switch technology / Off-load switch, circuit breaker, control switch / Changeover switch
(ec1@ss8-27-37-14-05 [AKF062009])

Model

Number of poles

With 0 (off) position

Rated permanent current I_u

Rated operation power at AC-3, 400 V

Degree of protection (IP), front side

Number of auxiliary contacts as normally closed contact

Number of auxiliary contacts as normally open contact

Number of auxiliary contacts as change-over contact

Suitable for ground mounting

A

kW

Reverser

3

Yes

20

4

IP55

0

0

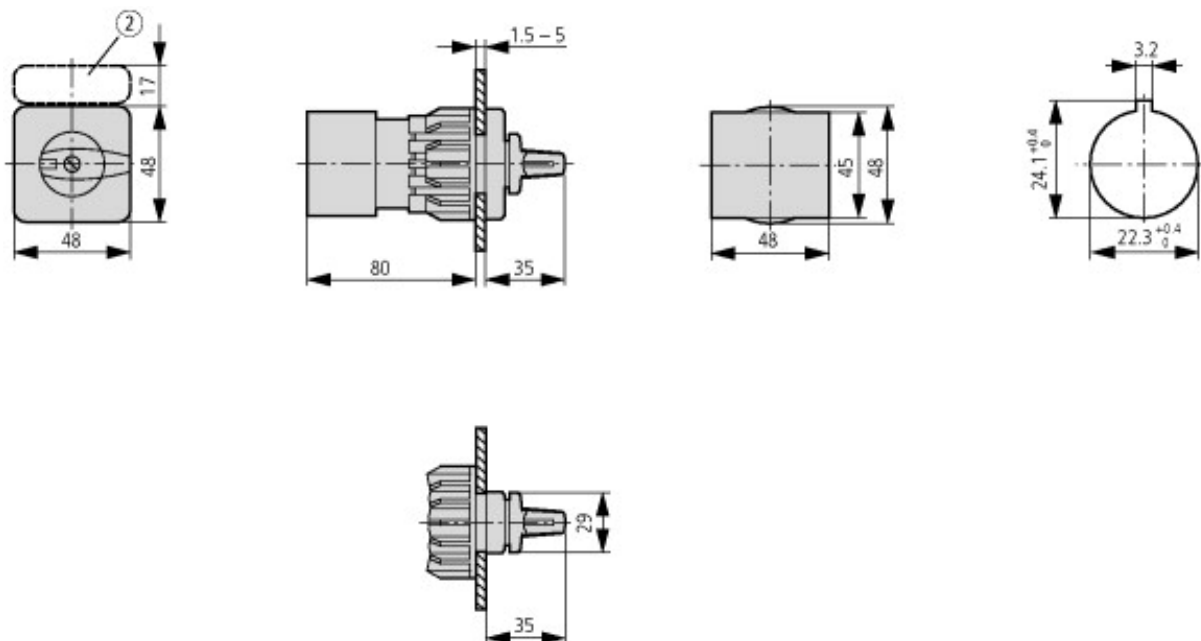
0

No

Suitable for front mounting 4-hole
 Suitable for distribution board
 installation
 Suitable for intermediate mounting
 Complete device in housing
 Type of control element
 Connection type main current circuit

Yes
 No
 No
 No
 Toggle
 Screw connection

Dimensions



② ZFS-... Label mount not included as standard

Additional product information (links)

IL03801020Z (AWA1150-0586) Cam switch: Mounting

IL03801020Z (AWA1150-0586) Cam
 switch: Mounting

ftp://ftp.moeller.net/DOCUMENTATION/AWA_INSTRUCTIONS/IL03801020Z2013_02.pdf

<http://ecat.moeller.net/flip-cat/?edition=HPLEN&startpage=4.87>

<http://ecat.moeller.net/flip-cat/?edition=K115A&startpage=108>

<http://de.ecat.moeller.net/flip-cat/?edition=HPLTEv1&startpage=4.2>

<http://de.ecat.moeller.net/flip-cat/?edition=HPLTEv1&startpage=4.4>

<http://de.ecat.moeller.net/flip-cat/?edition=HPLTEv1&startpage=4.6>

<http://de.ecat.moeller.net/flip-cat/?edition=HPLTEv1&startpage=4.8>

<http://de.ecat.moeller.net/flip-cat/?edition=HPLTEv1&startpage=4.8>

X-ON Electronics

Largest Supplier of Electrical and Electronic Components

Click to view similar products for [Eaton](#) manufacturer:

Other Similar products are found below :

[BK1-S506-2-R](#) [FHN31G1](#) [CH222B](#) [SAMI-2I](#) [SAMI-6I](#) [LPN-RK-25SP](#) [ZE6](#) [ZE9](#) [LPN-RK-15SP](#) [LPN-RK-3SP](#) [SAMI-1I](#) [2499](#) [GMC-500MA](#) [AT-20](#) [BK/SC-45](#) [AGC-1-2](#) [BK/MDA-15](#) [BK/MDA-1](#) [BK/C519-1A](#) [BK/MDL-3-2/10](#) [89096-015](#) [8943K28](#) [8946K153](#) [8961K155](#) [M22-DH-Y](#) [M22-DLH-Y](#) [M22-D-R-GB0/K11](#) [M22-LCH-R](#) [M22-L-R/R](#) [M22-WLK3-B](#) [63ET](#) [6422](#) [6580](#) [CTX20-16-52LP-R](#) [CWL530FI](#) [CXM/CO/GP/R/BB](#) [6HD36](#) [714125](#) [MBO-2](#) [7314K36](#) [7321K2](#) [ETF-200MA](#) [F02A-1-1/2A](#) [F02A-1-1/2AS](#) [F02A-1AS](#) [F02A-3/4A](#) [F03A250V10A](#) [F03A250V12A](#) [MDA-2-8/10-R](#) [MDA-30A](#)