



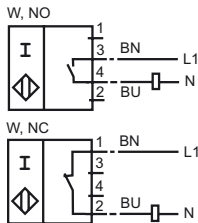
Model Number

NJ15+U1+W

Features

- Comfort series
- 15 mm embeddable

Connection



Accessories

V1-M20-80

Receptacles

V1-G

Non pre-wired cable socket

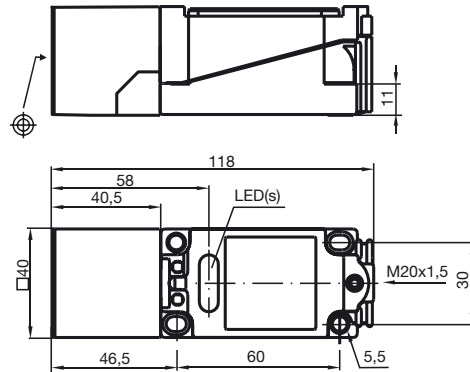
V1-W

Non pre-wired cable socket

MHW 01

Mounting aid

Dimensions



Technical Data

General specifications

Switching element function		ACMake/Break function
Rated operating distance	s_n	15 mm
Installation		embeddable
Output polarity		AC
Assured operating distance	s_a	0 ... 12.15 mm
Reduction factor r_{Al}		0.3
Reduction factor r_{Cu}		0.25
Reduction factor r_{V2A}		0.75

Nominal ratings

Operating voltage	U_B	20 ... 253 V ¹⁾
Switching frequency	f	0 ... 20 Hz
Hysteresis	H	1 ... 10 typ. 5 %
Voltage drop	U_d	≤ 5 V
Momentary current (20 ms, 0.1 Hz)		0 ... 3000 mA
Operating current	I_L	8 ... 500 mA
Off-state current	I_r	0.5 ... 1.95 mA typ. 1.2 mA
Operating voltage display		LED, green
Indication of the switching state		LED, yellow

Ambient conditions

Ambient temperature	-25 ... 70 °C (248 ... 343 K)
Storage temperature	-25 ... 85 °C (248 ... 358 K)

Mechanical specifications

Connection type	terminal compartment
Core cross-section	up to 2.5 mm ²
Housing material	PBT
Sensing face	PBT
Protection degree	IP68
Note	¹⁾ In the temperature range below 0 °C, permissible operating voltage U_b 80...253 V Safety fuse ≤ 2 A (quick-blow) according to IEC 60127-2 Sheet 1 Recommendation: after a short circuit, check that the device is functioning correctly.

Compliance with standards and directives

Standard conformity	
Standards	EN 60947-5-2:2007 IEC 60947-5-2:2007

Approvals and certificates

CCC approval	Certified by China Compulsory Certification (CCC)
--------------	---

X-ON Electronics

Largest Supplier of Electrical and Electronic Components

Click to view similar products for [Pepperl & Fuchs](#) manufacturer:

Other Similar products are found below :

[RL31-54/73C/136](#) [3RG7122-0AA00](#) [NBB-12GM40-E1](#) [3RG4013-3KB00](#) [3RG4038-3KB00](#) [3RG7134-3AA00](#) [LD31/LV31/25/73C/76A/136](#)
[NBB4-12GM50-A2-V1](#) [RL31-8-1200-RT/73C/136](#) [CBB8-18GS75-E2](#) [45018](#) [UC2000-30GM-E6R2-V15](#) [6GR6221-3AB00](#) [REF-MH50](#)
[3RG4148-3CD00](#) [INX360D-F99-I2E2-V15](#) [MPS11HD](#) [UB2000-F42-U-V15](#) [50FY416](#) [NBN4-12GM50-E0](#) [UC2000-30GM-IUR2-V15](#)
[41FR2](#) [3RG6233-3JS00](#) [NBN8-12GM50-E2-V1](#) [UC-30GM-R2](#) [M100/MV100-RT/35/76A/95/103](#) [3RG4013-0KB00](#) [UB400-F77-E2-V31](#)
[3RG4023-3AG33](#) [MD17/73](#) [NBB5-18GM50-E2](#) [NBN4-12GM50-E2](#) [UB800-18GM40-U-V1](#) [UB800-18GM40-I-V1](#) [ML100-55/95/103](#)
[KCD2-R](#) [NBB15-30GM50-E2-V1](#) [UB2000-F42-E5-V15](#) [REF-C110-2](#) [ML100-8-1000-RT/95/103](#) [3RG4200-1AB00](#) [NBB2-V3-E2](#)
[3RG7120-3AA00](#) [OB-150-F6-E5](#) [REF-H50](#) [UB800-18GM40-E5-V1](#) [MV17/73/136](#) [NBB4-12GM50-E2-V1](#) [3RG6343-3AB00](#) [NJ2-PD-US-](#)
[2.062-V93](#)