

MB2M-MB10M

Silicon Bridge Rectifiers



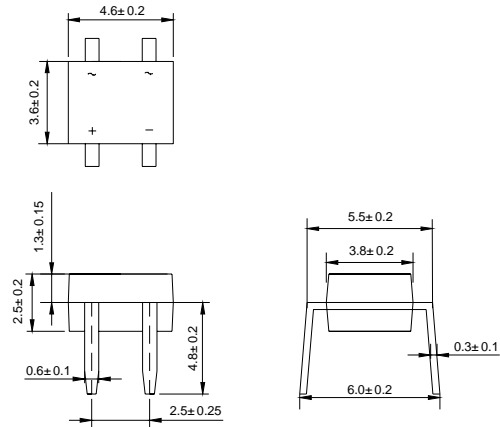
VOLTAGE RANGE: 200 --- 1000 V
CURRENT: 0.5 A

Features

- ✧ This series is UL recognized under Component Index, file number E239431
- ✧ Glass passivated chip junctions
- ✧ Plastic material has U/L flammability classification 94V-O
- ✧ High surge overload rating: 35A peak
- ✧ Saves space on printed circuit boards
- ✧ High temperature soldering guaranteed: 260°C/10 seconds at 5 lbs. (2.3kg) tension

Mechanical Data

- ✧ Case: Molded plastic body over passivated junctions
- ✧ Polarity: Polarity symbols marked on body
- ✧ Mounting Position: Any
- ✧ Weight: 0.0078 ounce, 0.22 gram



Dimensions in millimeters

MAXIMUM RATINGS AND ELECTRICAL CHARACTERISTICS

Ratings at 25°C ambient temperature unless otherwise specified.

Single phase, half wave, 60 Hz, resistive or inductive load. For capacitive load, derate by 20%.

		MB2M	MB4M	MB6M	MB8M	MB10M	UNITS
Maximum recurrent peak reverse voltage	V_{RRM}	200	400	600	800	1000	V
Maximum RMS voltage	V_{RMS}	140	280	420	560	700	V
Maximum DC blocking voltage	V_{DC}	200	400	600	800	1000	V
Maximum average forward output current @ $T_A=25^\circ\text{C}$	$I_{F(AV)}$	0.5 ⁽¹⁾ 0.8 ⁽²⁾					A
Peak forward surge current 8.3ms single half-sine-wave superimposed on rated load	I_{FSM}	35					A
Maximum instantaneous forward voltage @ 0.4 A	V_F	1.0					V
Maximum reverse current @ $T_A=25^\circ\text{C}$ at rated DC blocking voltage @ $T_A=125^\circ\text{C}$	I_R	5.0 100					μA
Typical junction capacitance per leg (NOTE 3)	C_J	13					pF
Typical thermal resistance per leg (NOTE 1)	R_{JA} R_{JL}	85 20					$^\circ\text{C}/\text{W}$
Operating junction temperature range	T_J	- 55 ---- + 150					$^\circ\text{C}$
Storage temperature range	T_{STG}	- 55 ---- + 150					$^\circ\text{C}$

NOTES: (1) On glass epoxy P.C.B. mounted on 0.05 x 0.05" (1.3 x 1.3mm) pads

(2) On aluminum substrate P.C.B. with an area of 0.8" x 0.8" (20 x 20mm) mounted on 0.05 x 0.05" (1.3 x 1.3mm) solder pad

(3) Measured at 1.0 MHz and applied reverse voltage of 4.0 Volts

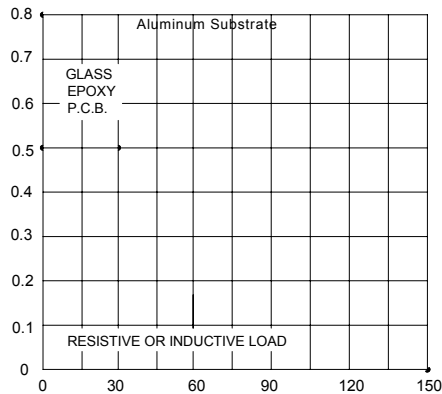
MB2M-MB10M

Silicon Bridge Rectifiers

Ratings AND Characteristic Curves

AVERAGE FORWARD CURRENT, AMPERES

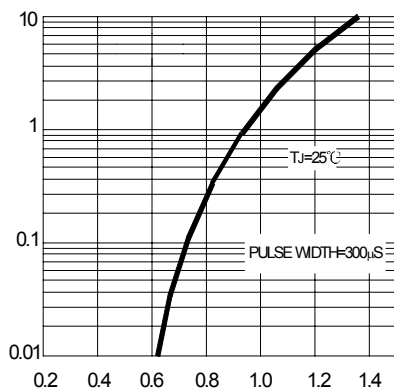
FIG.1 – DERATING CURVE FOR OUTPUT RECTIFIED CURRENT



AMBIENT TEMPERATURE, °C

INSTANTANEOUS FORWARD CURRENT, AMPERES

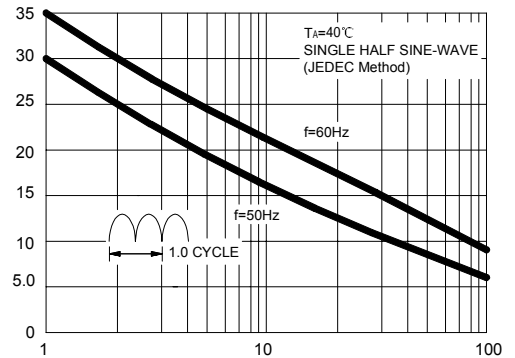
FIG.3 – TYPICAL FORWARD VOLTAGE CHARACTERISTICS PER LEG



INSTANTANEOUS FORWARD VOLTAGE, VOLTS

PEAK FORWARD SURGE CURRENT, AMPERES

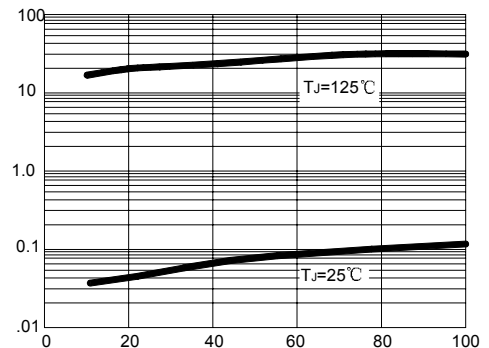
FIG.2 – MAXIMUM NON-REPETITIVE PEAK FORWARD SURGE CURRENT PER LEG



NUMBER OF CYCLES AT 60Hz

INSTANTANEOUS REVERSE CURRENT, MICRO AMPERES

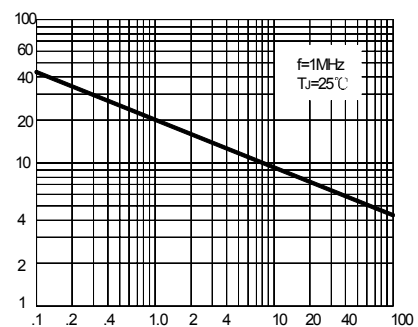
FIG.4 – TYPICAL REVERSE CHARACTERISTIC



PERCENT OF RATED PEAK REVERSE VOLTAGE, %

CAPACITANCE, pF

FIG.5 – TYPICAL JUNCTION CAPACITANCE PER ELEMENT



REVERSE VOLTAGE, VOLTS

X-ON Electronics

Largest Supplier of Electrical and Electronic Components

Click to view similar products for [Bridge Rectifiers](#) category:

Click to view products by [Luguang](#) manufacturer:

Other Similar products are found below :

[G3SBA60-E351](#) [GBJ1504-BP](#) [GBU10B-BP](#) [GBU15J-BP](#) [GBU15K-BP](#) [GBU4A-BP](#) [GBU4D-BP](#) [GBU6B-E3/45](#) [GSIB680-E3/45](#) [DB101-BP](#) [DF10SA-E345](#) [RMB2S](#) [RCG](#) [APT30DF100HJ](#) [APT60DF20HJ](#) [B2S-E3/80](#) [BU1506-E351](#) [BU15085S-E345](#) [BU1508-E3/45](#) [BU1510-E3/45](#) [RS404GL-BP](#) [RS405GL-BP](#) [G3SBA20-E3/51](#) [G5SBA20-E3/51](#) [G5SBA60-E3/51](#) [GBJ1502-BP](#) [GBL02-E351](#) [GBL10-E3/45](#) [GBU10J-BP](#) [GBU4J-BP](#) [GBU4K-BP](#) [GBU8B-E3/45](#) [GBU8D-BP](#) [GBU8J-BP](#) [GSIB1520-E3/45](#) [MB1510](#) [MB352W](#) [MB6M-G](#) [B2M-E345](#) [B40C7000A](#) [B500C7000A](#) [MP5010W-BP](#) [MP501W-BP](#) [MP502-BP](#) [BR1005-BP](#) [BR101-BP](#) [BU1006-E345](#) [BU12065S-E3/45](#) [BU1508-E3/51](#) [BU2006-E3/45](#) [BU2008-E345](#)