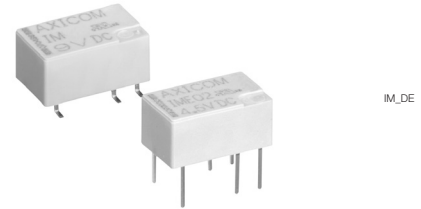


**IM - E Relay**

- Minimum board-space 60mm<sup>2</sup>
- Slim line 10x6mm (0.39x0.24") and
- Low profile 5.65mm (0.222")
- Switching power 60W/62.5VA
- Switching voltage 220VDC/250VAC
- Switching current 2A
- Bifurcated contacts
- High mechanical shock resistance

Typical applications

Telecommunication, access and transmission equipment, optical network terminals, modems, office and business equipment, consumer electronics, measurement and test equipment, industrial control, medical equipment



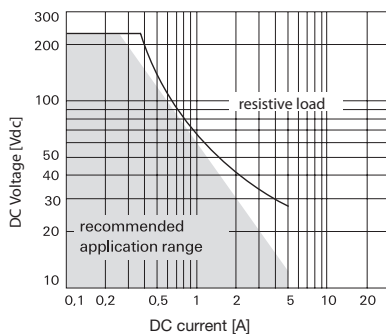
**Approvals**

UL 508 File No. E 111441  
Technical data of approved types on request

**Contact Data**

Contact arrangement	2 Form A, 2 NO	
Max. switching voltage	220VDC, 250VAC	
Rated current	2A	
Limiting continuous current	2A	
Switching power	60W, 62.5VA	
Contact material	PdRu Au covered	
Contact style	twin contacts	
Minimum switching voltage	100µV	
Initial contact resistance	<50mΩ at 10mA/30mV	
Thermoelectric potential	<10µV	
Operate time	typ. 1ms, max. 3ms	
Release time		
without diode in parallel	typ. 1ms, max. 3ms	
with diode in parallel	typ. 3ms, max. 5ms	
Set/reset time max.	typ. 1ms, max. 3ms	
Bounce time max.	typ. 1ms, max. 5ms	
Electrical endurance		
at contact application 0		
(≤30mV/≤10mA)	min. 2.5x10 <sup>6</sup> operations	
cable load open end	min. 2.0x10 <sup>6</sup> operations	
resistive, 125VDC / 0.24A - 30W	min. 5x10 <sup>5</sup> operations	
resistive, 220 VDC / 0.27A - 60W	min. 1x10 <sup>5</sup> operations	
resistive, 250VAC / 0.25A - 62.5VA	min. 1x10 <sup>5</sup> operations	
resistive, 30VDC / 1A - 30W	min. 5x10 <sup>5</sup> operations	
resistive, 30VDC / 2A - 60W	min. 1x10 <sup>5</sup> operations	

**Max. DC load breaking capacity**



**Contact Data (continued)**

UL contact rating	30VDC, 2A, 60W, NO only 110VDC, 0.3A, 33W 220VDC, 0.27A, 60W 125VAC, 0.5A, 62.5W 250VAC, 0.25A, 62.5W
Mechanical endurance	10 <sup>8</sup> operations

**Coil Data**

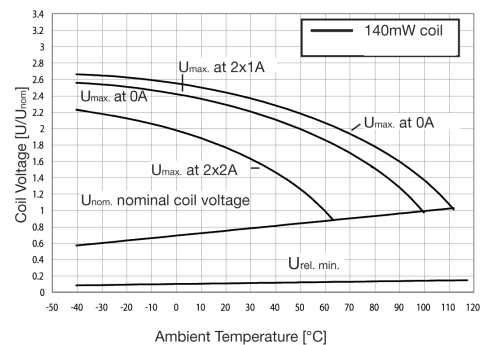
Coil voltage range	1.5 to 24VDC
Max. coil temperature	125°C
Thermal resistance	<150K/W

**Coil versions, standard version, monostable, 1 coil**

Coil code	Rated voltage VDC	Operate voltage VDC	Release voltage VDC	Coil resistance Ω±10%	Rated coil power mW
01	3.0	2.25	0.30	64	140
02	4.5	3.38	0.45	145	140
03	5.0	3.75	0.50	178	140
06	12.0	9.00	1.20	1029	140

All figures are given for coil without pre-energization, at ambient temperature +23°C

**Coil operating range, standard version**



**IM - E Relay** (Continued)

**Insulation\***

Initial dielectric strength	
between open contacts	1000V <sub>rms</sub>
between contact and coil	1800V <sub>rms</sub>
between adjacent contacts	1000V <sub>rms</sub>
Initial surge withstand voltage	
between open contacts	1500V
between contact and coil	2500V
between adjacent contacts	1500V
Initial insulation resistance	
between insulated elements	>10 <sup>9</sup> Ω
Capacitance	
between open contacts	max. 1pF
between contact and coil	max. 2pF
between adjacent contacts	max. 2pF

\*this relay contains SF6 (Sulfur hexafluoride, CAS number: 2551-62-4) for dielectric strength enhancement, SF6 is hermetically sealed in relay without leaks to air during normal application as recommended per the applicable product specification. It is clarified that the usage of SF6 in mini signal relay is not prohibited by related regulations. Please contact TE local sales or field engineer for further information and detailed material declaration.

**RF Data**

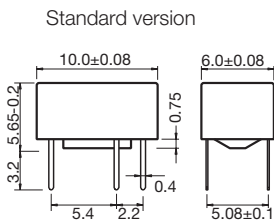
Isolation at 100MHz/900MHz	37.0dB / 18.8dB
Insertion loss at 100MHz/900MHz	0.03dB / 0.33dB
Voltage standing wave ratio (VSWR) at 100MHz/900MHz	1.06 / 1.49

**Other Data**

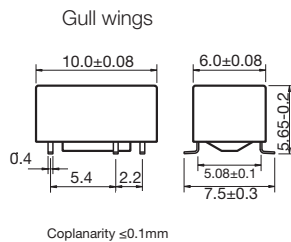
Material compliance: EU RoHS/ELV, China RoHS, REACH, Halogen content refer to the Product Compliance Support Center at <a href="http://www.te.com/customer-support/rohssupportcenter">www.te.com/customer-support/rohssupportcenter</a>	
Ambient temperature	-40°C to +85°C
Thermal resistance	<150K/W
Category of environmental protection	RT V - hermetically sealed
IEC 61810	
Degree of protection	IP 67, immersion cleanable
IEC 60529	
Vibration resistance (functional)	20g, 10 to 500Hz
Shock resistance (functional), half sinus 11ms,	50g
Shock resistance (destructive), half sinus 0.5ms	500g
Weight	max. 0.75g
Resistance to soldering heat THT	Peak value
IEC 60068-2-20	265°C/10s
Resistance to soldering heat SMT	
IEC 60068-2-58	265°C. / 10s
Moisture sensitive level, JEDEC J-Std-020D	MSL3
related only to SMT relays packed in original dry-packs	
Washing	see application notes
Ultrasonic cleaning	not recommended
Storage conditions	3 years
Packaging/unit	
THT version	tube/50 pcs, box/1000 pcs
SMT version	reel/1000 pcs., box/1000 or 5000 pcs.

**Dimensions**

**THT version**

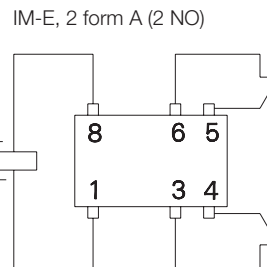


**SMT version**



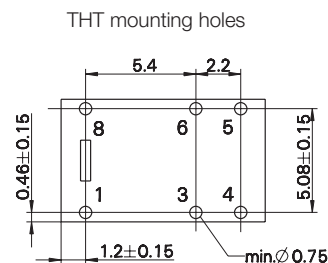
**Terminal assignment**

TOP view on relay

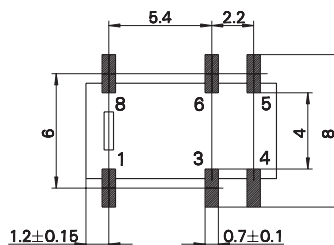


**PCB layout**

TOP view on component side of PCB



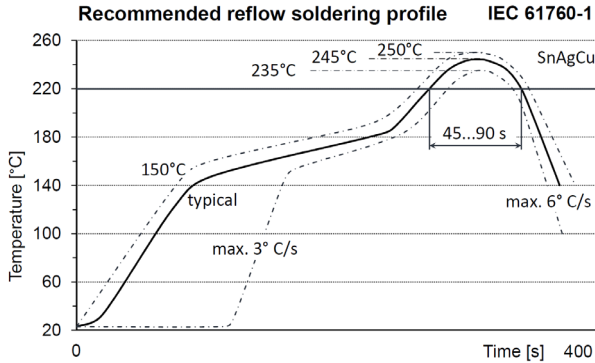
**SMT - solder pads**



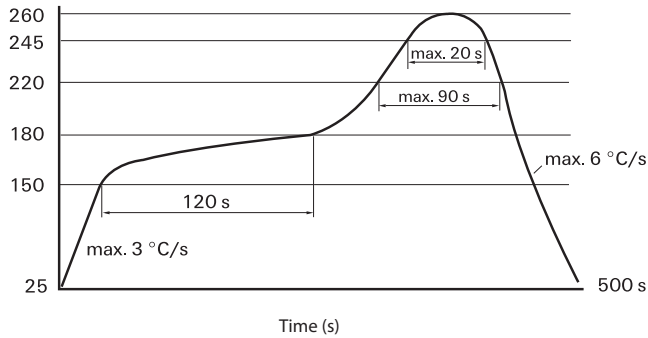
IM - E Relay (Continued)

**Processing**

Recommended soldering conditions



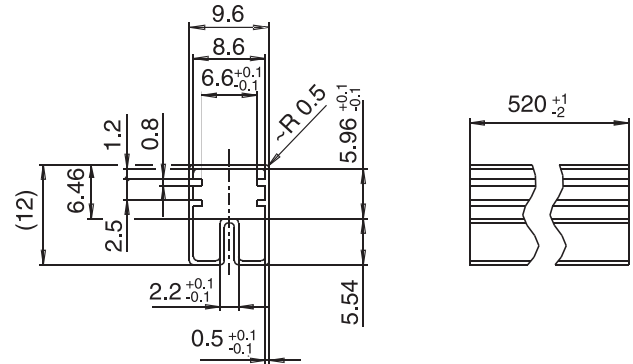
Resistance to soldering heat - Reflow profile



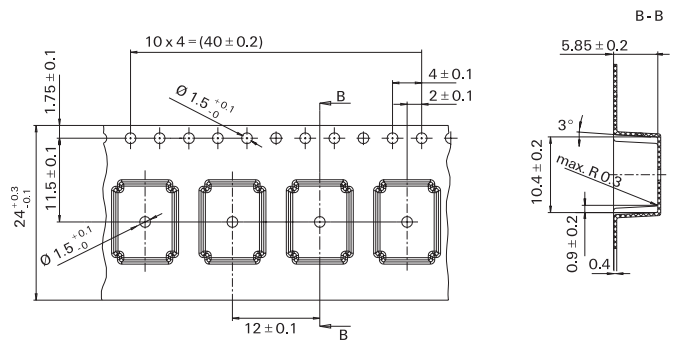
Infrared Soldering: temperature/time profile (lead and housing peak temperature)

**Packing**

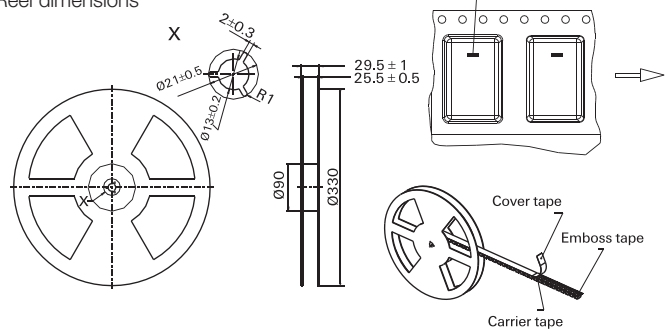
Tube for THT version  
50 relays per tube, 1000 relays per box



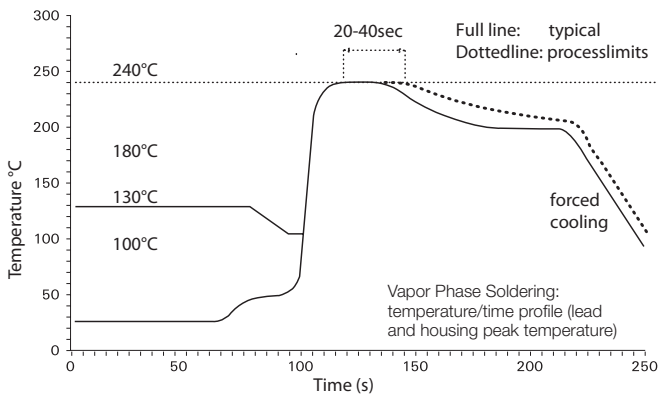
Tape and reel for SMT version  
1000 relays per reel, 1000 or 5000 relays per box



Reel dimensions



Soldering conditions according IEC 60058-2-58 and IPC/JEDEC J-STD-020B



Vapor Phase Soldering: temperature/time profile (lead and housing peak temperature)

**IM - E Relay** (Continued)

<b>Product code structure</b>	Typical product code	<b>IM</b>	<b>E</b>	<b>03</b>	<b>G</b>	<b>R</b>
<b>Type</b>	<b>IM</b> Signal Relays IM Series IMD/IME					
<b>Contact arrangement</b>	<b>E</b> 2 form A, 2 NO					
<b>Coil</b>	Coil code: please refer to coil versions table					
<b>Performance type</b>	<b>Blank</b> Standard version					
<b>Terminals</b>	<b>T</b> THT - standard		<b>G</b> SMT - gull wing			
<b>Packing</b>	<b>S</b> Tube		<b>R</b> Reel			

Product code	Arrangement	Perf. type	Coil	Coil type	Terminals	Part number
IME01GR	2 form A,	Standard	3VDC	Monostable	SMT gull wing	1462043-1
IME01TS	2 NO				THT standard	1462043-5
IME02GR	contacts		4.5VDC		SMT gull wing	1462043-2
IME02TS					THT standard	1462043-6
IME03GR			5VDC		SMT gull wing	1462043-3
IME03TS					THT standard	1462043-7
IME06GR			12VDC		SMT gull wing	1462043-4
IME06TS					THT standard	1462043-8

## X-ON Electronics

Largest Supplier of Electrical and Electronic Components

*Click to view similar products for [TE Connectivity](#) manufacturer:*

Other Similar products are found below :

[D38999/24FJ4AN](#) [1-2000677-8](#) [SMD100-2](#) [D38999/20WJ43BD](#) [4-176756-8](#) [983-6SE22-12S7-L](#) [D38999/24ZE35PN](#) [CUA-41-70003](#)  
[DJT10F17-26HN](#) [5-1437490-9](#) [7022X3H](#) [983-6SE18-14P9-L](#) [AFD50-16-23SN-6116-LC](#) [603995-1](#) [D38999/24WF32JE](#) [D38999/24WF32SE-](#)  
[LC](#) [DTS24W19-32HE](#) [D38999/20WD19SB-LC](#) [842723N001](#) [213904-1](#) [C1177A](#) [AFD51-18-32PW-6116-LC](#) [D38999/24FD19PD](#)  
[D38999/24FD19PD-LC](#) [D38999/24FF32BA](#) [D38999/26WH21PB-LC](#) [D38999/20FH21PE](#) [D38999/20FH21PE-LC](#) [D38999/24FH21PN](#)  
[DTS20F23-21PE](#) [D38999/20FH21PB-LC](#) [D38999/26FJ35PE](#) [D38999/32Z15N](#) [DTS26W9-35JB-LC](#) [D38999/26JJ29JN](#) [102976-7](#)  
[D38999/20FJ4SB-LC](#) [1-2322421-6](#) [D38999/20FJ24SB-LC](#) [MS3474L12-10P-LC](#) [MS3474L12-10PW-LC](#) [MS27467T21F16P-LC](#) [D50184-000](#)  
[WINTOTAL-6-END-USER-LICENCE](#) [164-8033-08](#) [DTS26W17-99HA](#) [MS27468T17F26H](#) [DJT14F17-26HN](#) [DJT14F17-26HB](#)  
[AFD58-24-61PY-1A](#)