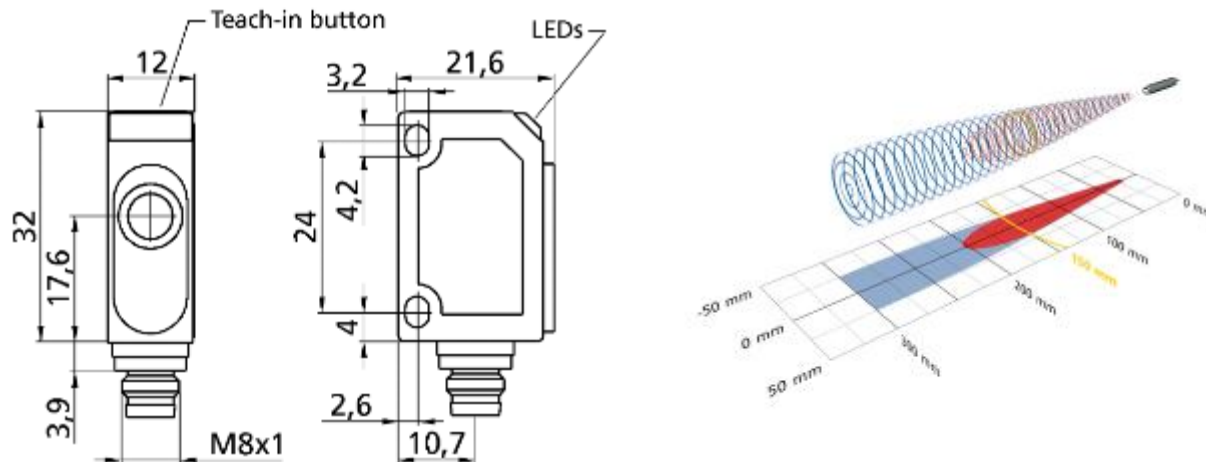


## zws-15/CU/QS

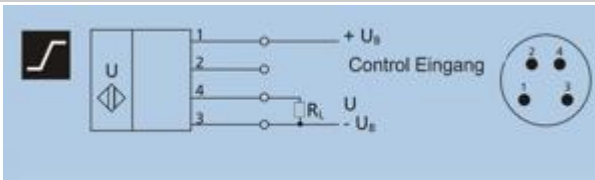
€ mark for sensor comparison

housing    detection zone



1 x analogue 0-10 V/250 mm

operating range	20 - 150 mm
design	colloidal
operating mode	analogue distance measurements
<b>ultrasonic -specific</b>	
means of measurement	echo propagation time
transducer frequency	380 kHz
blind zone	20 mm
operating range	150 mm
maximum range	250 mm
angle of beam spread	please see graphics detection zone
resolution/sampling rate	0.20 mm
reproducibility	± 0.15 %
accuracy	≤ 2 % (temperature drift internal compensation)
<b>electrical data</b>	
operating voltage $U_B$	20 - 30 V d.c., reverse polarity protection
voltage ripple	± 10 %
no-load current consumption	≤ 25 mA
type of connection	4-pin M8 initiator plug
<b>outputs</b>	
output 1	analogue output voltage: 0-10 V, short-circuit-proof

	switchable rising/falling
response time	50 ms
delay prior to availability	< 300 ms
<b>inputs</b>	
input 1	com input
description	external synchronisation from rectangular signal with a defined pulse width
<b>housing</b>	
material	ABS
ultrasonic transducer	polyurethane foam, epoxy resin with glass contents
class of protection to EN 60529	IP 67
operating temperature	-25°C to +70°C
storage temperature	-40°C to +85°C
weight	10 g
further versions	high chemical resistance
further versions	<a href="#">zws-15/SI/CU/QS</a> <a href="#">crz-15/CU/QS</a>
<b>technical features/characteristics</b>	
temperature compensation	yes
controls	1 pushbutton
scope for settings	teach-in
synchronization	yes
multiplex	no
indicators	1 x LED green: working, 1 x LED yellow: object in the window
particularities	small colloidal design narrow sound field
<b>documentation &amp; accessories</b>	
user's manual	<a href="#">BA_ENG_zws-xxxCU.pdf</a>
STEP	<a href="#">zws-15_XX_QS_STP.zip</a>
IGS	<a href="#">zws-15_XX_QS_IGS.zip</a>
IPT	<a href="#">zws-15_XX_QS_IPT.zip</a>
PDF	<a href="#">zws-15_XX_QS_PDF.zip</a>
SAT	<a href="#">zws-15_XX_QS_SAT.zip</a>
deployable accessory	<a href="#">KST4A-2/M8</a> <a href="#">KST4A-5/M8</a> <a href="#">KST4G-2/M8</a> <a href="#">KST4G-5/M8</a> <a href="#">MW-ZWS 2</a> <a href="#">MW-ZWS 3</a> <a href="#">SoundPipe zws1</a>
pin assignment	
order no.	<b>zws-15/CU/QS</b>

## **X-ON Electronics**

Largest Supplier of Electrical and Electronic Components

*Click to view similar products for [Microsonic](#) manufacturer:*

Other Similar products are found below :

[Microsonic](#)