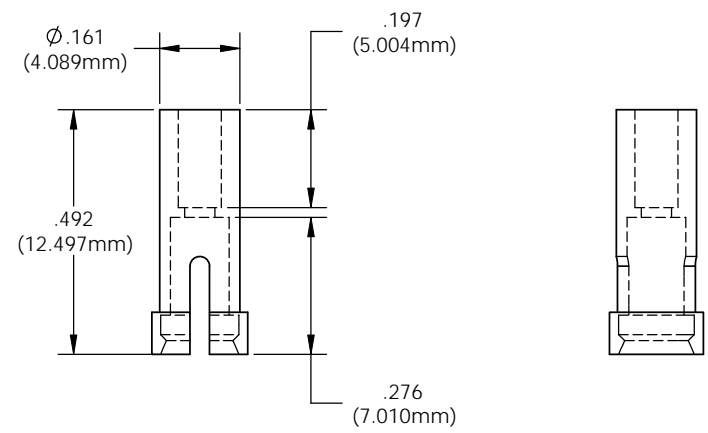
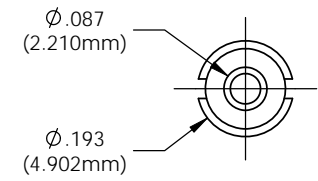
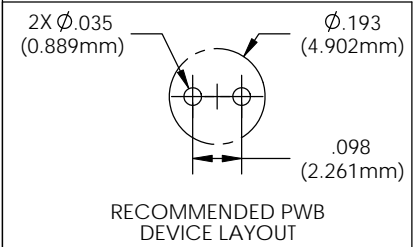
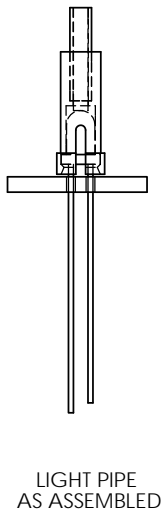
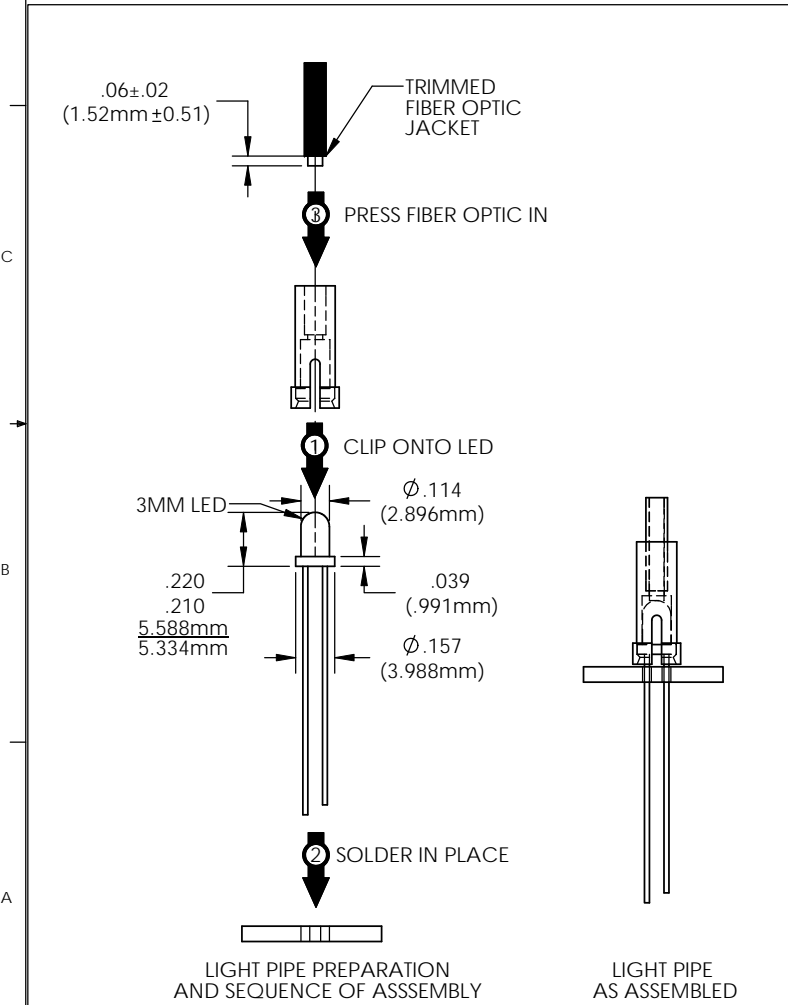


8 7 6 5 4 3 2 1

- NOTES
1. ROHS COMPLIANT.
  2. UL 94V-2 FLAMMABILITY RATING.
  3. -40°C TO 85°C OPERATING TEMPERATURE.
  4. SUITABLE FOR LIGHT PIPE WITH  $\varnothing 2.2\text{MM}$  JACKET AND OPTICAL CORE NO GREATER THAN  $\varnothing 1.5\text{MM}$ .
  5. DO NOT WAVE SOLDER WITH THIS DEVICE.
  6. FOR BEST RESULTS USE ONLY NARROW VIEWING ANGLE NON-DIFFUSED LEDS WITH OUTPUT POWER GREATER THAN 100mcd.

| REVISIONS |     |                            |         |          |
|-----------|-----|----------------------------|---------|----------|
| ECN #     | REV | DESCRIPTION                | DATE    | INITIALS |
| 176       | 001 | INITIAL RELEASE            | 8/3/10  | KH       |
| 200       | 002 | REVISED PER ECR 100610KH01 | 10/6/10 | KH       |



|   |   |                               |                   |  |                                   |
|---|---|-------------------------------|-------------------|--|-----------------------------------|
| <small>UNLESS OTHERWISE SPECIFIED DIMENSIONS ARE IN INCHES</small><br>ANGLES DECIMALS<br>$\pm 1/2^\circ$ .X $\pm .020$<br>FINISH .XX $\pm .010$<br>.XXX $\pm .005$<br>1.25 BREAK ALL CORNERS AND SHARP EDGES ON NEW | MATERIAL  | <b>NYLON 6/6</b><br>UL 94-V2  |                   | <b>VISUAL COMMUNICATIONS COMPANY, INC.</b><br>190 Bossick Boulevard, Suite 101 San Marcos, CA 92069 USA<br>Phone (760) 560-1300 Fax (760) 560-1301 email vccsales@vccite.com |                                   |
|   | FINISH  | SEE NOTES                     |                   | TITLE:<br><b>THROUGH-HOLE LED MOUNT</b>  |                                   |
|   | THIRD ANGLE PROJECTION  | APPROVAL                      | DATE              | SIZE   | DWG. NO.                          |
|   | <small>PROPRIETARY AND CONFIDENTIAL</small><br>THE INFORMATION CONTAINED IN THIS DRAWING IS THE SOLE PROPERTY OF VISUAL COMMUNICATIONS COMPANY, INC. AND IS NOT TO BE REPRODUCED IN ANY MANNER WITHOUT THE WRITTEN CONSENT OF VISUAL COMMUNICATIONS COMPANY, INC. | DRAWN K.Howard<br>CHECKED DPZ | 8/3/10<br>8/10/10 | <b>B</b><br>SCALE: 4:1   | REV<br><b>002</b><br>SHEET 1 OF 1 |

8 7 6 5 4 3 2 1

## X-ON Electronics

Largest Supplier of Electrical and Electronic Components

*Click to view similar products for [Visual Communications](#) manufacturer:*

Other Similar products are found below :

[CNX722C40005W](#) [VAOM-C07573S9-BW/32](#) [2817](#) [139A-403A](#) [2191U5-24V](#) [25P-607W](#) [2620QK1](#) [LPC\\_127\\_CTP](#) [STD600BLK](#)  
[CMC01R](#) [CNXBE4218](#) [4344](#) [5314N1](#) [1092D3-28V](#) [VC1510145W3](#) [5110F1-5V](#) [B2A-10PK](#) [1052QN5](#) [CNX722C900120T](#) [PML50RFVW](#)  
[CNX"C"E"4"1"04](#) [1835LS3-W-CW](#) [2SB-NWG48H](#) [2SB-NWW48H](#) [2623T5](#) [CNX\\_310\\_220\\_E\\_4\\_1\\_08](#) [CNX310033X4124](#) [3150-10PK](#)  
[4304H5](#) [5100H7](#) [VC18602452](#) [L65DR12L](#) [CNX\\_410\\_220\\_X02\\_4\\_1\\_24](#) [LFC063CTP](#) [PML50GFVW](#) [MF200-BCG28H](#) [STD\\_850\\_BLK](#)  
[2152QA5](#) [2153A5](#) [5302H5-5V](#) [CNX722C50024W](#) [CNX"482"1"RTP"12](#) [L79D-Y125-W](#) [2191QL5-24V](#) [5352T1-5VLC](#) [CNX722C900FVB](#)  
[6013M5](#) [CTHS15CIC06ALARM](#) [5602F5-5V](#) [1050A4](#)