

PATLITE

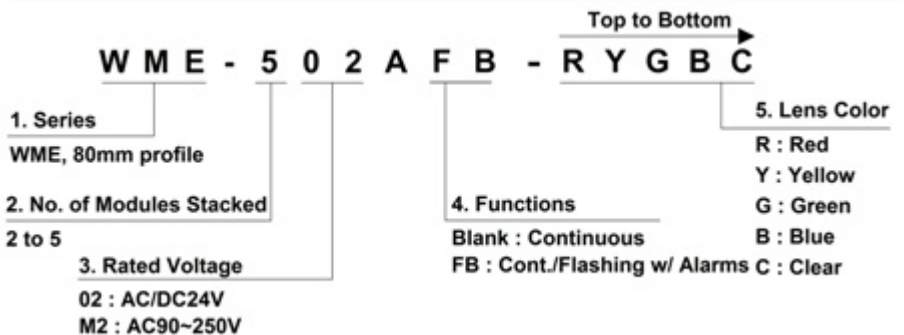
■ WME-A / 80mm Profile

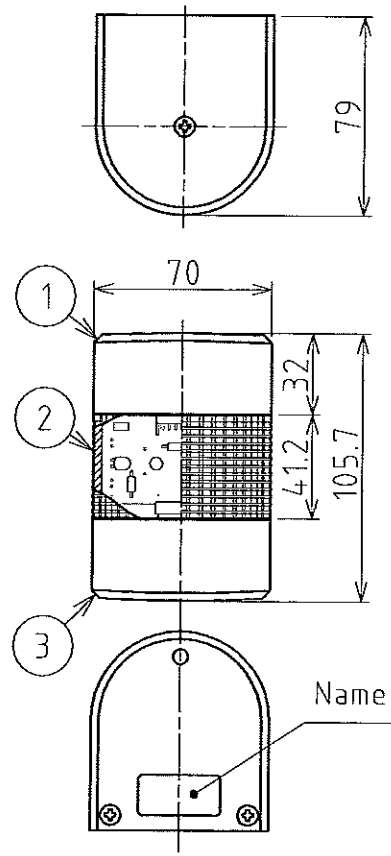
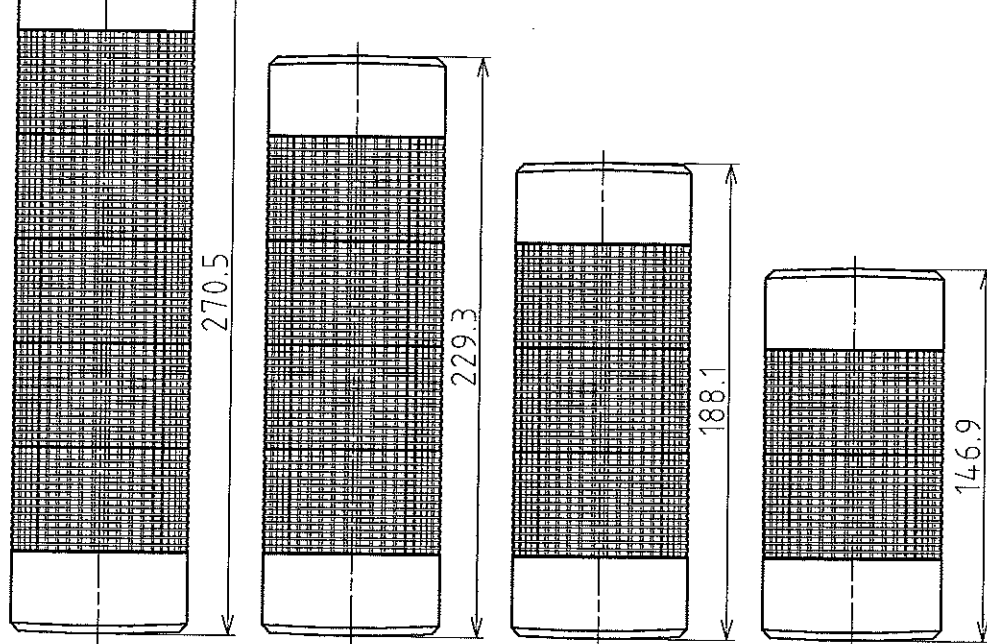


The WME-A Wall-Mount Series solves your space problems! This LED-based model is designed for easy mounting to save you both time and money.

SIZE:	80mm profile
INPUT VOLTAGE	- AC/DC24V
OPTIONS:	- AC90-250V
FUNCTIONS	- Continuous only
AVAILABLE:	- Continuous, Flashing, Alarms
MOUNTING OPTIONS	- Pre-assembled, pre-wired - Interchangeable and stackable after purchase - When changing the number of stacks in the field, new shaft, backplate and module(s) must be purchased
BODY STYLE:	Wall mount only: includes mounting bracket
BODY COLOR:	Beige
TIERS:	2, 3, 4 or 5 stack versions available
MODULE COLORS:	Red / Amber / Green / Blue / Clear
ALARMS (FB STYLE ONLY):	- Alarm 1: selectable, single-tone, intermittent (fast beep) alarm, 90dB (at 1m) - Alarm 2: selectable, single tone, intermittent (slow beep) alarm, 90dB (at 1m)
RATINGS:	- CE - UL Component Recognition (US) - UL Component Recognition (Canada) - RoHS
PROTECTION:	IP-54
CONTROL OPTIONS:	- Dry contact closure such as switches or relay contacts - Open-collector transistor (NPN or PNP for DC24V, NPN for AC90-250V) - Direct voltage control for DC24V, continuous and alarm functions only

PART NUMBER GUIDE





Model No. configuration

WME - □ 0 2 A - □ □ □ □ □

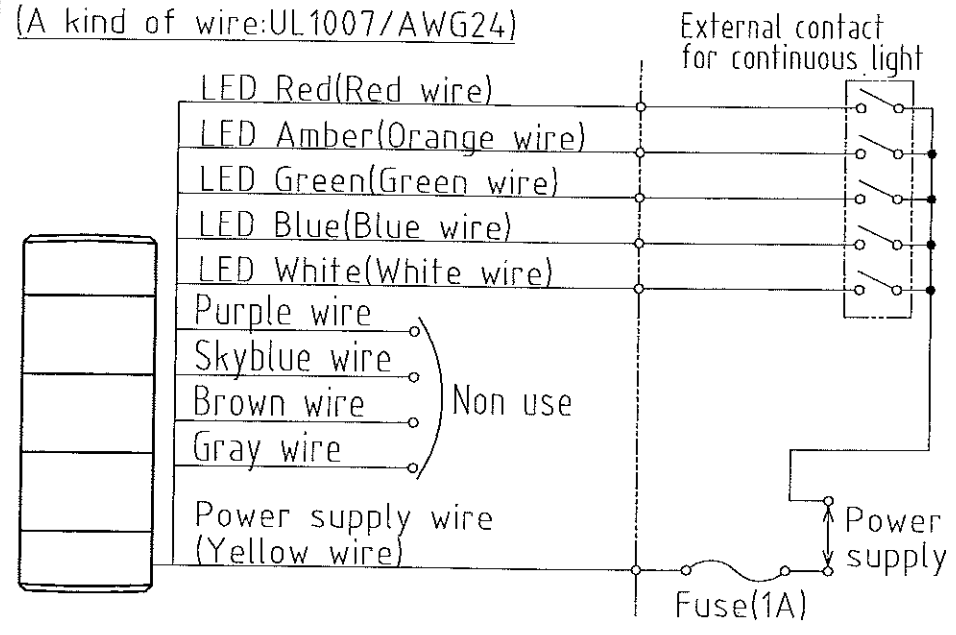
Light style ————
 1:1 Light
 2:2 Lights
 3:3 Lights
 4:4 Lights
 5:5 Lights

Rated voltage ————
 02:24V AC/DC

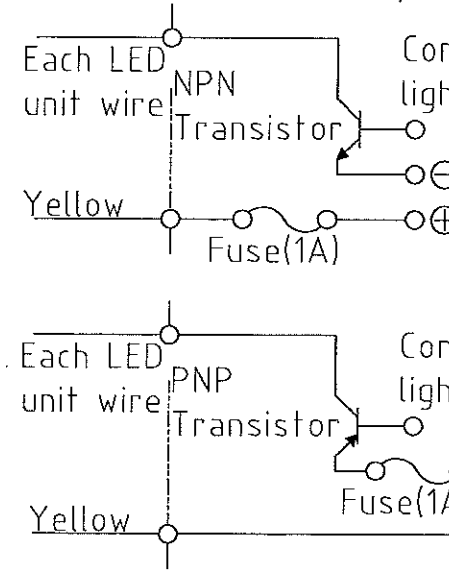
LED unit color ————
 (R:Red/Y:Amber/G:Green/B:Blue/C:White)
 * Lens color top to base as layers

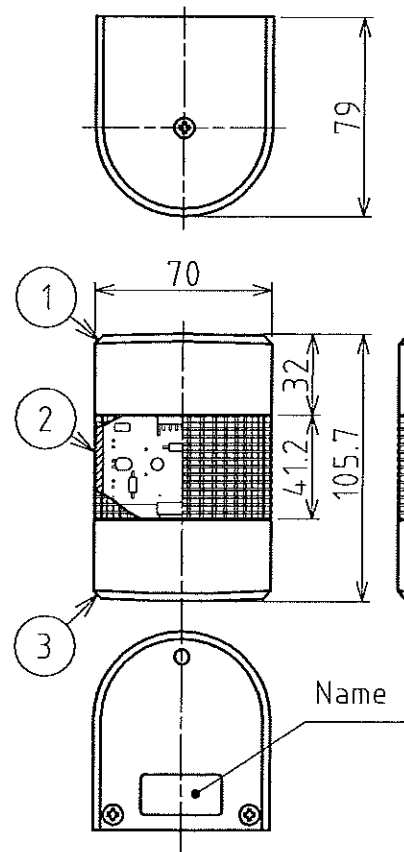
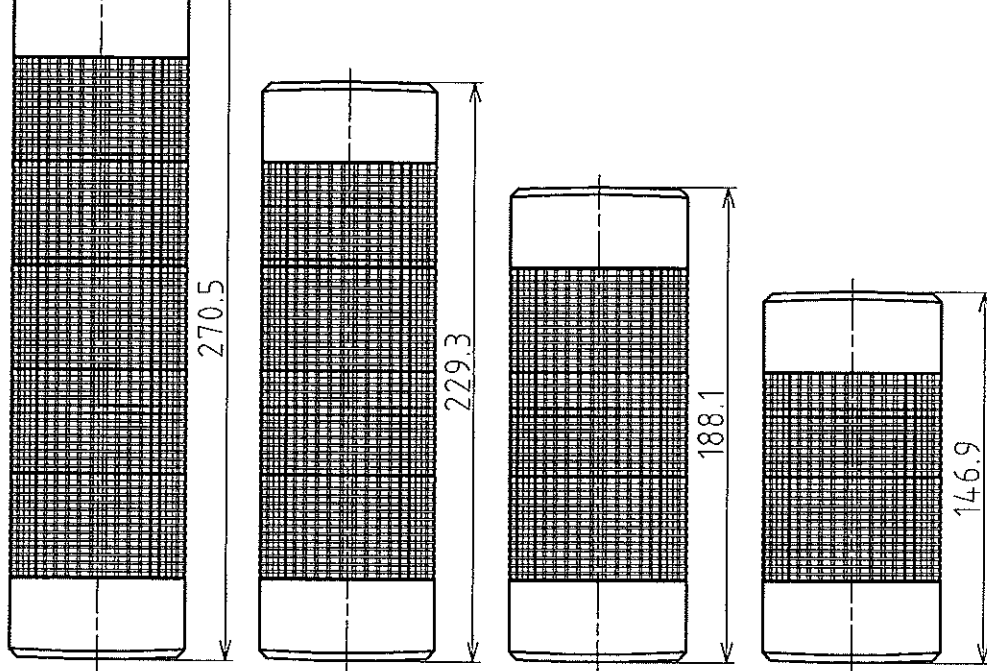
Wiring example

(A kind of wire:UL1007/AWG24)

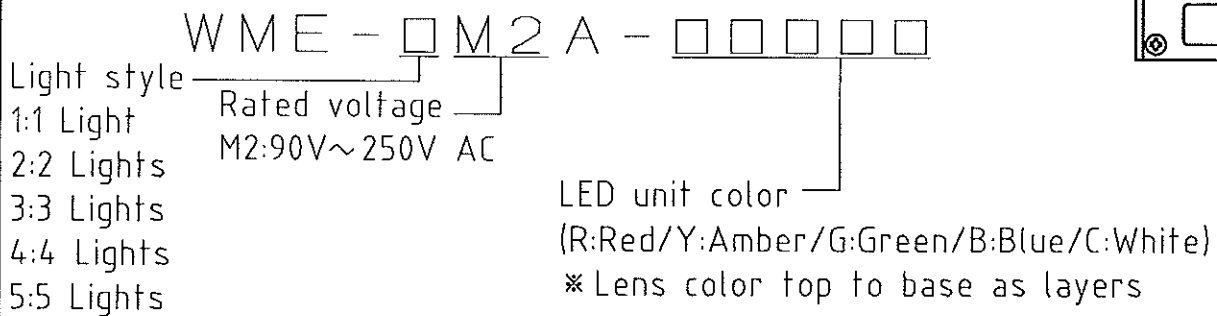


Transistor drive example





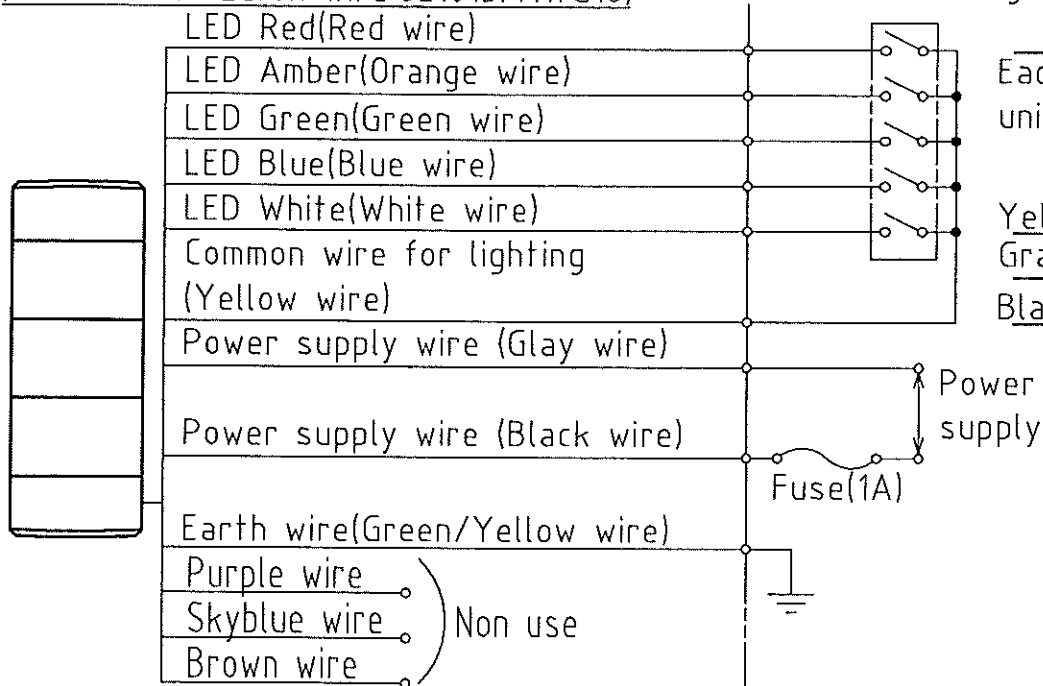
Model No. configuration



Wiring example

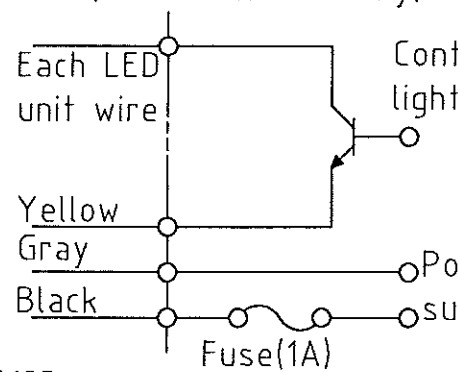
(Signal wire:UL1007/AWG24)

(Power wire • Earth wire:UL1015/AWG18)

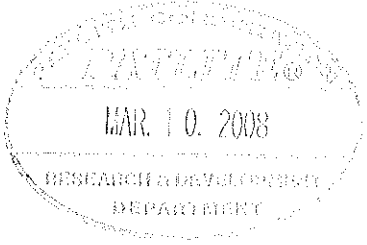


External contact
 for continuous light

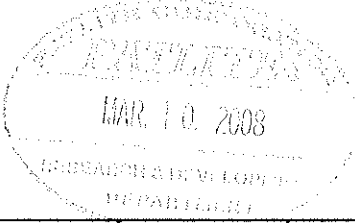
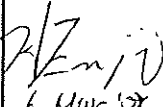

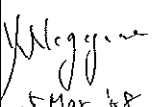
Transistor drive example
 (NPN Transistor only)



S P E C I F I C A T I O N S

Model	5lights	WME-502A				
	4lights	WME-402A				
	3lights	WME-302A				
	2lights	WME-202A				
	1light	WME-102A				
Rated voltage		24V AC/DC (50/60Hz)				
Operating voltage		Rated voltage \pm 10%				
Current consumption	Per light					
		Red	Amber	Green	Blue	White
	Typ.	22.6 mA	26.6 mA	17.5 mA	38.9 mA	38.9 mA
	Max.	26.1 mA	35.0 mA	24.6 mA	47.6 mA	47.6 mA
Operating temperature range (Relative humidity)		- 10 °C ~ + 55 °C (Less than 90%)				
Mounting place		Indoor only				
Mounting direction		Upright				
Protection rating		IP54				
Vibration proof		19.6 m/s ² (30Hz)				
Insulation resistance		<ul style="list-style-type: none"> • To be measured by an insulation measuring device of 500VDC between the terminals and the chassis. <li style="text-align: center;">More than 1MΩ 				
Dielectric voltage		<ul style="list-style-type: none"> • 500VAC being applied between the terminals and the chassis for 1 minute. <li style="text-align: center;">Not breaking insulation 				
Luminous intensity	Red	Amber	Green	Blue	White	
	1000mcd	700mcd	1000mcd	300mcd	1000mcd	
Mass(Tolerance: \pm 10%)	1light	2lights	3lights	4lights	5lights	
	0.31kg	0.39kg	0.47kg	0.55kg	0.63Kg	
No. WME-. 02A-A18E-1/2						
Remark <ul style="list-style-type: none"> ● This product confirms to the CE requirements and CE Marking is indicated. ● Recognized as UL standard. (Standard No.UL508, File No. E215660) ● This product complies with the RoHS Directive(DIRECTIVE 2002/95/EC) <div style="text-align: right; margin-top: 20px;">  </div>						
PATLITE Corporation			App.by	Chk.by	Drn.by	
			<i>[Signature]</i> 18 Oct '06	<i>[Signature]</i> 17 Oct '06	T.Okutani 13.Oct.'06	

SPECIFICATIONS

Model	5lights	WME-5M2A					
	4lights	WME-4M2A					
	3lights	WME-3M2A					
	2lights	WME-2M2A					
	1light	WME-1M2A					
Rated voltage		90V~250VAC (50/60Hz)					
Operating voltage		Rated voltage±10%					
Power consumption		Per light					
		AC100V	Red	Amber	Green	Blue	White
		AC240V	1.1W			1.5W	
		1.4W			2.0W		
		Standby power consumption:0.6W					
Current consumption		Per light					
		Red	Amber	Green	Blue	White	
		Typ.	22.6 mA	26.6 mA	17.5 mA	38.9 mA	38.9 mA
Max.	26.1 mA	35.0 mA	24.6 mA	47.6 mA	47.6 mA		
Operating temperature range (Relative humidity)		- 10°C ~ + 55°C (Less than 90%)					
Mounting place		Indoor only					
Mounting direction		Upright & sideways					
Protection rating		IP54					
Vibration proof		19.6 m/s ² (30Hz)					
Insulation resistance		To be measured by an insulation measuring device of 500VDC between the terminals and the chassis. More than 1MΩ					
Dielectric voltage		1500VAC being applied between the terminals and the chassis for 1 minute. Not braking insulation					
Luminous intensity		Red	Amber	Green	Blue	White	
		1000mcd	700mcd	1000mcd	300mcd	1000mcd	
Mass		1light	2lights	3lights	4lights	5lights	
		0.38Kg	0.46kg	0.54kg	0.62kg	0.70Kg	
No. WME-. M2A-A18A(UL) - 1/2							
<ul style="list-style-type: none"> ● This product confirms to the CE requirements and CE Marking is indicated. ● Recognized as UL standard. (Standard No.UL508, File No. E215660) ● The power consumption of one product is the value which added lights consumptionto standing by power consumption. 							
PATLITE Corporation		App.by	Chk.by	Drn.by			
		 6 Mar '08		 5 Mar '08			

X-ON Electronics

Largest Supplier of Electrical and Electronic Components

Click to view similar products for [Patlite](#) manufacturer:

Other Similar products are found below :

[LR6-E-B](#) [LR4-BU](#) [LR5-02PJNW](#) [LR5-102WJBW-Y](#) [LR5-102WJNW-R](#) [NH-WST](#) [VSST-LR6-502LJBW-RYGBC](#) [LA6-5DSNWB-POE](#)
[MPS-302-RYG](#) [VSST-LR6-302LJNW-RYG](#) [LR5-02WTNU](#) [LR5-102WJNW-G](#) [LR6-02LJNW](#) [VSST-LR6-302LJBW-RYG](#) [VSST-LR6-502LJNW-RYGBC](#) [LR6-02PJNW](#) [LR7-02WTNU](#) [BDV-15JF-K](#) [LR6-302LJNW-RYG](#) [LR6-302PJNW-RYG](#) [LR4-302LJBW-RYG](#) [SZ-50L](#)
[LR4-02QJNW](#) [LR4-02WJNW](#) [SZK-001U](#) [LR5-E-R](#) [LR6-302LJBW-RYG](#) [CLA3S-24-CD](#) [SZ-020](#) [LU7-E-B](#)