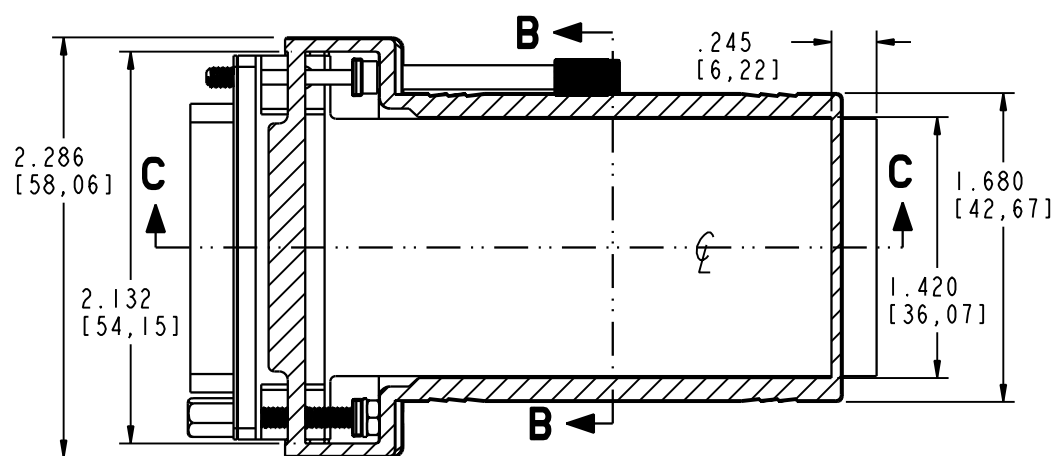
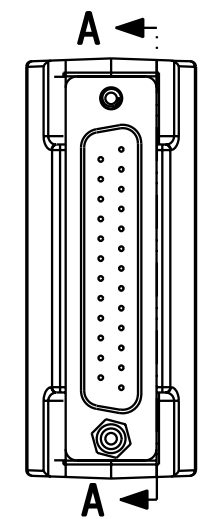
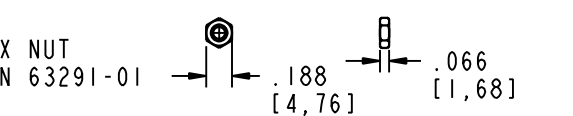
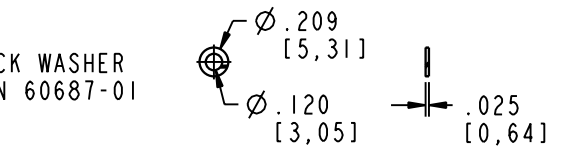
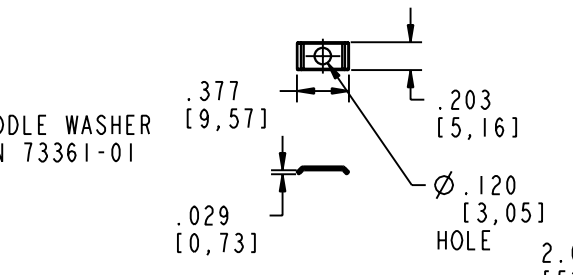
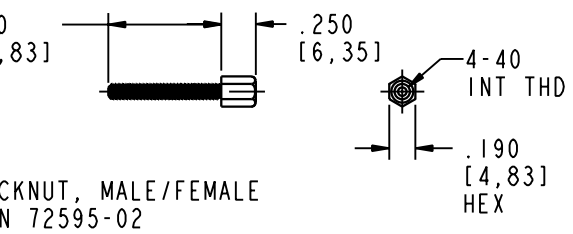
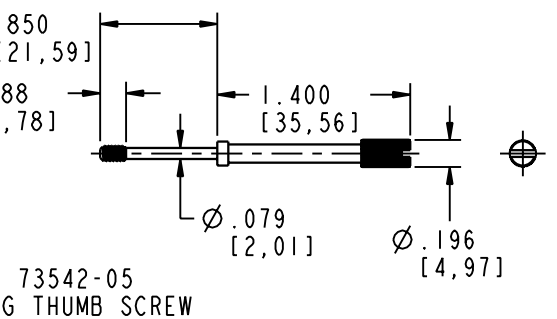
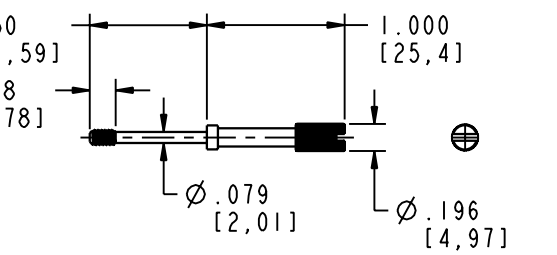
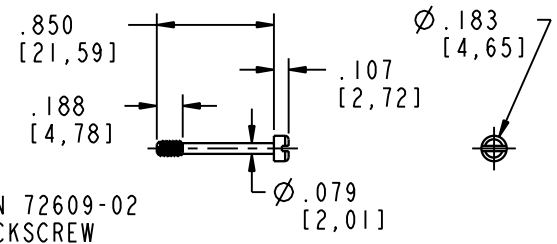
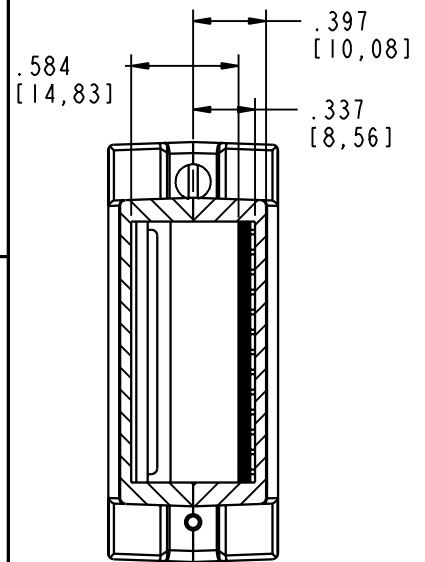


**TABLE 2**

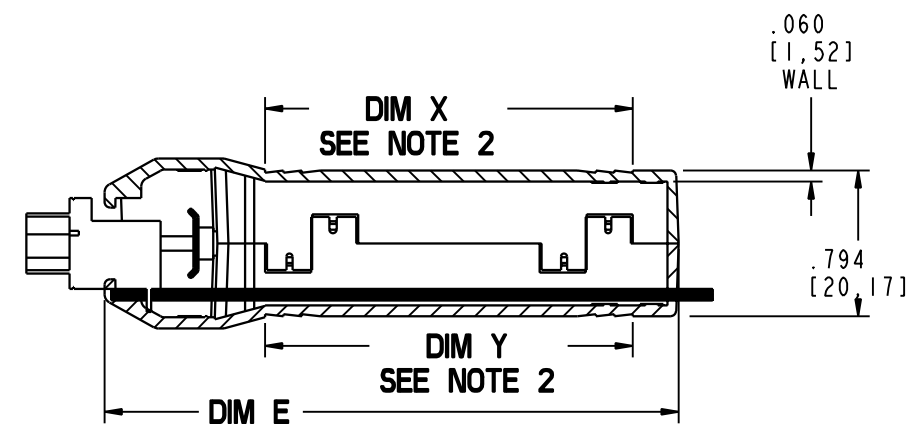
ALL HARDWARE IS 4-40, ALL SCREWS AND THUMB SCREWS ARE CAPTIVE. THE JACK NUT IS NOT CAPTIVE AND THIS ITEM CAN BE THREADED INTO THE HOUSING, OR THE HOLE CAN BE ENLARGED.



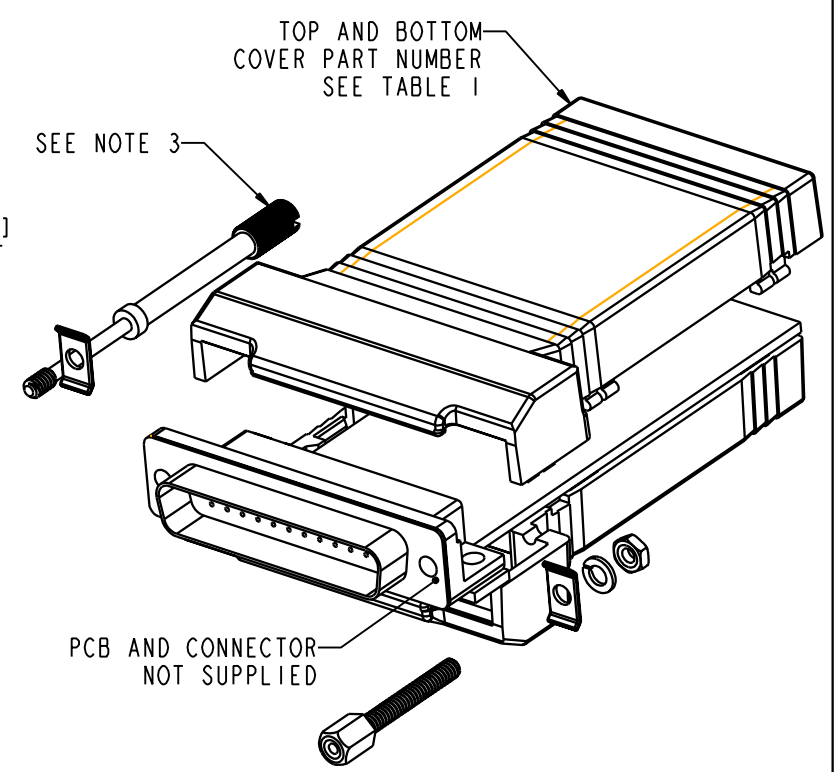
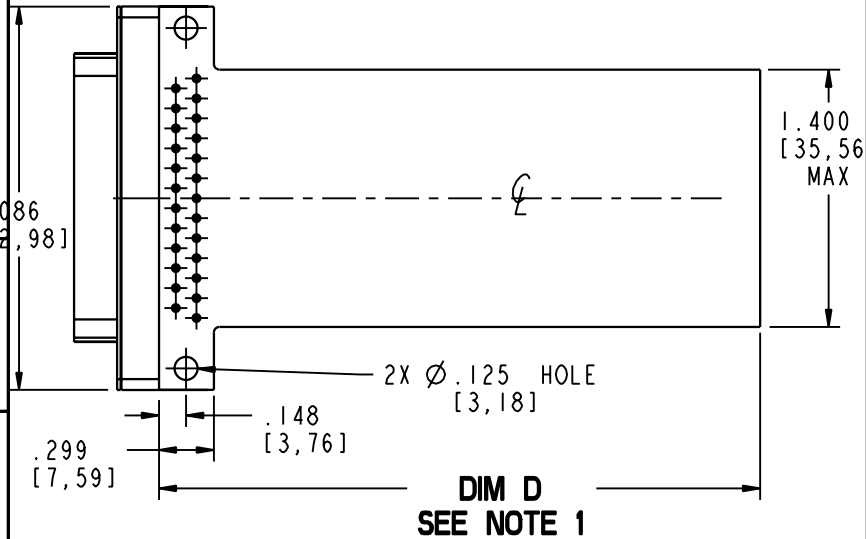
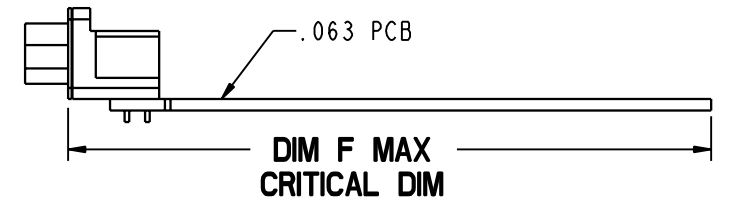
**SECTION A-A**



**SECTION B-B**



**SECTION C-C**



**NOTES:**

1. ACTUAL PCB LENGTH IS A PRODUCT OF THE CONNECTOR SELECTED.
2. DIM X AND Y ARE TOP AND BOTTOM COVER INSERT AREA X 1.450 [36,83] WIDE.
3. HARDWARE TO BE ORDERED SEPARATE FROM TABLE 2 PER CUSTOMER SPECIFIC REQUIREMENTS.

**TABLE 1**

CN SIZE	S	M	L
HOUSING PART NUMBER	CNS-0006	CNM-0006	CNL-0006
DIM D PCB SIZE	2.272 [57,71]	2.772 [70,14]	3.272 [83,11]
DIM E OVERALL SIZE	2.624 [66,65]	3.124 [79,35]	3.624 [92,05]
DIM F MAX CRITICAL DIM	2.499 [63,47]	2.999 [76,17]	3.499 [88,87]
DIM X & Y INSERT AREA	1.500 [38,10]	2.000 [50,80]	2.500 [63,50]

DB25 R ANGLE CONNECTOR TO BLANK END

**PACINTEC**<sup>®</sup>  
1-610-361-4231

**CN-0006-SERIES**  
SEE TABLE 1

VISIT **PACINTEC**<sup>®</sup>  
ON THE WORLD WIDE WEB  
[www.pactecenclosures.com](http://www.pactecenclosures.com)

COLOR / MATERIAL CODE		
COLOR	94HB	94VO
BLACK	000	028
P. C. BONE	039	060

## X-ON Electronics

Largest Supplier of Electrical and Electronic Components

*Click to view similar products for PacTec manufacturer:*

Other Similar products are found below :

[63049-501-039 CM5-125 Bone Prod. Unit](#) [63210-510-000 CF-275 Black Kit](#) [81496-510-039 K-XPL-9VB BONE Kit](#) [KE12-BONE](#) [63214-510-039 CF-275 Bone Kit](#) [73542-01 CAPTIVE SHORT THUMBSCREW](#) [81362-510-039 K-XP-9VB BONE Kit](#) [83561-501-508 PP-2AA BLACK](#) [71103-510-039 JM-24 Bone Kit](#) [72494-510-039 DM-2 Bone Kit](#) [87735-510-332 ODNF 56-2.5 Gray](#) [89249-510-1129 \(SODF4730-2.2\)](#) [60121-04-028 C-275 Black](#) [69209-510-039 CM86-175 Bone Kit](#) [72502-510-000 DM-4 Black Kit](#) [79160-510-039 LH45-175 Bone Kit](#) [76499-510-039 LH89-130 Bone Kit](#) [77069-510-028 RM-178 Black Kit](#) [77761-510-039 LH68-250 Bone Kit](#) [77361-510-000 PS24-100 Black Kit](#) [63240-510-000 CM69-180 Black Kit](#) [76654-510-000 RC-24 Black Kit](#) [61980-501-000 HM-9VB Black](#) [CF-125-039-K](#) [61698-01 KEU-10 Keyboard Panel](#) [70030-510-000 SH Black Kit](#) [76281-510-039 PS36-200 Bone Kit](#) [62040-510-039 HPL Bone Kit](#) [73334-510-039 WM-46](#) [62153-1](#) [72557-510-039 KEU-10LP Bone Kit](#) [115118-01-508 CN-RL RS](#) [60128-01-072](#) [61162-501-000 HPLS Black](#) [81362-510-000 XP-9VB BLACK Kit](#) [82408-01 PT-10 ALUM](#) [FXT-2535-000-K](#) [63075-510-000 CM6-225 Black Kit](#) [61674-01-028 CLLP-34 PANEL](#) [82399-510-000 PT-8 Black Kit](#) [71914-510-039 CM3-100 Bone Kit](#) [76281-510-000 PS36-200 Black Kit](#) [60270-1BLK](#) [62451-01-000 HML Black](#) [71922-510-039 CM6-150 Bone Kit](#) [77888-510-039 PS47-200 Bone Kit](#) [73334-510-039 WM-46 BONE Kit](#) [74213-510-039 LH96-200 Bone Kit](#) [62066-501-039 K-HPLS-BONE](#) [60251-1BLK](#)