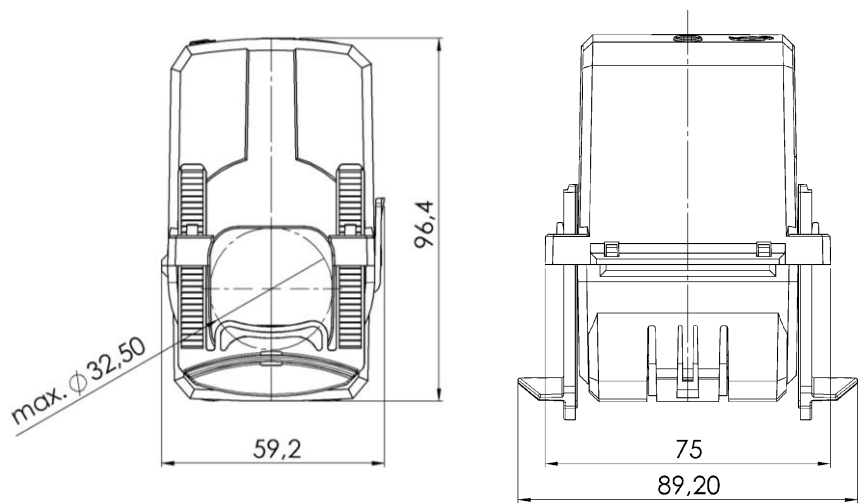


## KBR 32 Split-core current transformer



### Dimensions:

Round conductor: 32.5 mm  
 Transformer width: 59.2 mm  
 Transformer height: 96.4 mm  
 Transformer depth incl. fixing clasps: 89.2 mm

### General technical specifications:

Thermal nominal continuous rated current  $I_{cth}$ :  $1.2 \times I_N$   
 Thermal nominal short-time current  $I_{th}$ :  $60 \times I_N$ , 1 Sek.  
 Maximum operating voltage  $U_m$ : 0.72 kV  
 Isolation test voltage: 3 kV,  $U_{eff}$ , 50 Hz, 1 min.  
 Rated frequency: 50 Hz  
 Isolation class: E  
 Applicable technical standards: DIN EN 60044/1  
 VDE 0414 Teil 1

### Further information about our new split-core current transformer KBR 32:

- Split-core current transformers are mainly used for an easy fitment and subsequent assembly into an already existing installation, without separating the primary conductor.
- The compact split-core current transformer KBR 32 has been developed to have easy access in already existing installations.
- Due to the „click“-system and the fixing-clasps even a one-hand mounting is possible.
- The KBR 32 with secondary 1A will be delivered with 2.5 m connection cable  $2 \times 0.75 \text{ mm}^2$  (color coded; S1 = brown; S2 = blue). Other lengths of the connection cables are possible on request. The secondary 5A – version will be delivered with 0.5m connection cable  $2 \times 1.5 \text{ mm}^2$ .
- For the use as a current sensor the KBR 32 is optionally deliverable with a voltage output of 0 – 333 mV (min. burden resistance  $\geq 1 \text{ k}\Omega$ ).  
 Moreover the KBR 32 is deliverable as a measuring transducer with a measuring output of 4...20 mA DC.
- Operating temperature:  $-5^\circ\text{C} < T < +50^\circ\text{C}$
- Storage temperature:  $-25^\circ\text{C} < T < +70^\circ\text{C}$

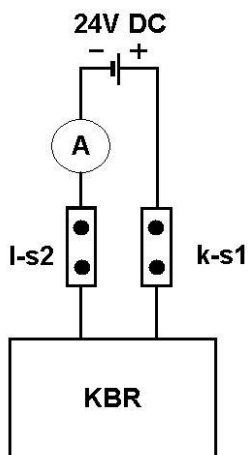
## Order list

Secondary current		5A		1A		Output signal	0...333 mV AC	4...20 mA DC
Primary-current [ A ]	Burden [ VA ]	Accuracy class		Accuracy class		Primary-current [ A ]	Accuracy class	Accuracy class
		3FS5	1FS5	3FS5	1FS5		1	1
		Art.-no.	Art.-no.	Art.-no.	Art.-no.		Art.-no.	Art.-no.
100	1.5	32-5011				100	32-1011	32-2011
	2.5			32-0011				
125	2.5	32-5016				125	32-1016	32-2016
	3			32-0016				
150	3	32-5021		32-0021		150	32-1021	32-2021
200	3	32-5026				200	32-1026	32-2026
	5			32-0026				
250	3	32-5031				250	32-1031	32-2031
	5			32-0031				
300	2.5		32-5035			300	32-1034	32-2034
	5				32-0035			
400	5		32-5037		32-0037	400	32-1036	32-2036
500	5		32-5039		32-0039	500	32-1038	32-2038
600	5		32-5041		32-0041	600	32-1040	32-2040

### Technical characteristics for the KBR with output signal 4...20 mA:

- 2-wire connection, auxiliary power via output circuit
- Auxiliary power: 24 V DC  $\pm$  15 %,  $P_V = \text{max. } 1 \text{ VA}$
- Load-independent DC current: Live-zero, 4...20 mA
- External resistance: max. 300  $\Omega$
- Current limit under overload: < 30 mA
- Residual ripple of the output current:  $\leq 1 \%$  p.p.
- Response time: < 300 ms

### Wiring diagram of the KBR 32 (4...20 mA):



## X-ON Electronics

Largest Supplier of Electrical and Electronic Components

*Click to view similar products for [Current Transformers](#) category:*

*Click to view products by [MBS](#) manufacturer:*

Other Similar products are found below :

[MP3500](#) [BV UI 302 0156](#) [45029](#) [BV EI 302 2863](#) [BV EI 303 2809](#) [BV EI 303 3060](#) [BV EI 305 2309](#) [BV EI 306 3604](#) [BV EI 481 1295](#) [BV EI 481 1325](#) [BV UI 301 0133](#) [BV UI 302 0144](#) [BV UI 302 0161](#) [BV UI 304 0019](#) [BV UI 304 0129](#) [BV UI 304 0159](#) [BV UI 304 0173](#) [TI-EF16-2X4V-4W](#) [SPCT62/40150/5AVA3CL1](#) [SPCT62/30100/5AVA1CL1](#) [SPCT62/3075/5AVA1CL3](#) [SPCT62/40150/5AVA1.5CL1](#) [SPCT62/40200/5AVA2.5CL0.5](#) [SPCT62/40300/5AVA3CL0.5](#) [CTD-KIT](#) [44013](#) [44017](#) [44021](#) [44098](#) [44101](#) [44134](#) [44171](#) [44174](#) [44178](#) [44180](#) [44248](#) [44250](#) [44278](#) [44339](#) [44340](#) [44373](#) [44375](#) [44376](#) [44378](#) [44379](#) [44436](#) [44831](#) [B82801B0925A200](#) [PA3655NL](#) [PA3828NL](#)