

WORLD-BEAM QS30EDV Expert Diffuse-Mode Sensor



Expert™ diffuse-mode sensor with a visible red beam



- Easy-to-set automatic Expert-style Static and Dynamic TEACH options, multiple Single-Point Set options, plus manual adjustment for fine tuning
- Smart power-control algorithm to maximize performance in low-contrast applications
- Normal mode provides 1.8 ms sensing response with improved crosstalk avoidance routine (for two sensors) and improved fluorescent light immunity
- Selectable high-speed (HS) mode option for 300-microsecond response (crosstalk avoidance and fluorescent light immunity disabled)
- Easy push-button Dark Operate/Light Operate select, output OFF-delay, and operating speed setup
- Powerful, highly collimated visible red sensing beam
- Easy-to-read operating status indicators, with 8-segment bar graph display
- Bipolar discrete outputs, PNP and NPN
- Selectable 30-millisecond OFF-delay
- Compact housing, mounting versatility – via popular 30 mm threaded barrel or side-mount
- Tough ABS housing is rated IEC IP67; NEMA 6
- Models available with 2 m or 9 m (6.5 ft or 30 ft) cable or integral quick-disconnect



Models	Range	Cable	Supply Voltage	Output Type
QS30EDV	High-Speed Mode: 1,100 mm (43 inches)	2 m (6.5 ft) 5-wire cable	10 to 30V dc	Bipolar NPN/PNP
QS30EDVQ	Normal Mode: 1,400 mm (55 inches)	Integral 5-pin Euro-style QD		

Standard 2 m (6.5 ft) cable models are listed. To order the 9 m (30 ft) cable model, add suffix "W/30" (QS30EDV W/30). A model with a QD connector requires a mating cable; see [Accessories](#) on page 10.



WARNING: Not To Be Used for Personnel Protection
Never use this device as a sensing device for personnel protection. Doing so could lead to serious injury or death. This device does NOT include the self-checking redundant circuitry necessary to allow its use in personnel safety applications. A sensor failure or malfunction can cause either an energized or de-energized sensor output condition.

Overview

The QS30EDV is an easy-to-use diffuse-mode sensor. It provides high-performance sensing in low-contrast applications. Its visible red beam provides easy sensor alignment. The sensor offers multiple configuration options, in addition to manual fine adjustment, remote programming, and security lockout options.

The sensor features bipolar outputs, one each NPN and PNP.

The sensor's compact housing has a large, easy-to-see bar graph display plus bright LEDs for easy configuration and status monitoring during operation. LEDs 1 through 4 of the bar graph display also show configuration status during setup.

The sensor can be side-mounted, using its integral mounting holes, or front-mounted, via its 30 mm threaded barrel.



Sensor Configuration

Sensor configuration is accomplished through TEACH or Set options, plus Setup mode. After TEACH or Set have defined the sensing parameters, Setup mode may be used to enable the delay, to change the Light Operate/Dark Operate status, or to select the high-speed response option (HS). Manual Adjust may be used to fine-tune the thresholds (see [Bar Graph Indicator Functions](#) on page 8). Two push buttons, Dynamic (+) and Static (-), or the remote wire, may be used to access and set the parameters.

Sensor configuration options include:

- Two-Point Static TEACH: a single switching threshold, determined by two taught conditions.
- Dynamic (on-the-fly) TEACH: a single switching threshold, determined by multiple sampled conditions.
- Window Set: a sensing window, centered on a single sensing condition.
- Light Set and Dark Set: a single switching threshold, offset from a single sensing condition.

Remote Configuration

The remote function may be used to configure the sensor remotely or to disable the push button for security. Connect the gray wire of the sensor to ground (0V dc), with a remote programming switch connected between them. Pulse the remote line according to the diagrams in the configuration procedures. The length of the individual programming pulses is equal to the value T where: $0.04 \text{ seconds} \leq T \leq 0.8 \text{ seconds}$

Returning to Run Mode

Configuration modes each may be exited either after the 60-second time-out or by exiting the process in one of the two following ways:

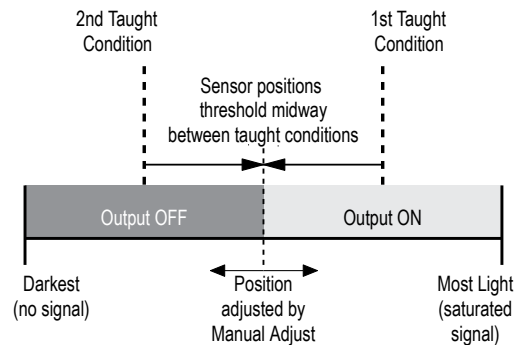
- In static TEACH or SET modes, press and hold the Static (-) button (or hold the remote line) for 2 seconds. The sensor returns to Run mode without saving any new settings.
- In SETUP mode, press and hold both the Static (-) and Dynamic (+) buttons (or hold the remote line) for 2 seconds. The sensor returns to Run mode and saves the current setting.

Two-Point Static TEACH (Threshold)

- Sets a single switching threshold (switching point)
- Threshold position is adjustable using “+” and “-” buttons (Manual Adjust).
- Recommended for applications where two conditions can be presented by the user.

Two-Point TEACH is the traditional configuration method. The sensor locates a single switchpoint at the optimal location between the two taught conditions, with the Output ON condition on one side, and the Output OFF condition on the other.

The first condition taught is the ON condition. The Output ON and OFF conditions can be reversed by changing Light/Dark Operate status in *Setup Mode*.



Two-Point TEACH and Manual Adjust

Using Manual Adjust with Two-Point TEACH moves the switching threshold position. The lighted LED on the bar graph moves to exhibit the received signal, relative to the threshold.

Bargraph LED (Following TEACH)	Relative Signal Difference/Recommendation
6 to 8	Excellent: Very stable operation.
4 to 5	Good: Minor variables will not affect sensing reliability.
2 to 3	Low: Minor sensing variables may affect sensing reliability.
1	Unreliable: Consider an alternate sensing scheme.

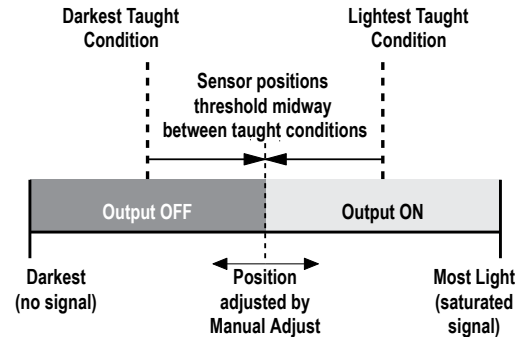
	Push Button	Remote Line	Result
	0.04 seconds ≤ “Click” ≤ 0.8 seconds	0.04 seconds ≤ T ≤ 0.8 seconds	
Access TEACH Mode	Press and hold Static (-) button for more than 2 seconds	No action required; sensor is ready for 1st TEACH condition.	Power LED: OFF Output LED: ON Bar graph: #5 and 6 alternately flash
TEACH Output ON Condition	Present Output ON condition and click the Static (-) button	Present Output ON condition and single-pulse the remote line	Power LED: OFF Output LED: Flash, then OFF Bar graph: #5 and 6 alternately flash
TEACH Output OFF Condition	Present Output OFF condition and click the Static (-) button	Present Output OFF condition and single-pulse the remote line	TEACH Accepted Power LED: ON Bar graph: One LED flashes to show relative contrast (good signal difference shown; see table above) Sensor returns to RUN mode
			TEACH Unacceptable Power LED: OFF Bar graph: #1, 3 and 5, 7 alternately flash to show failure Sensor returns to “TEACH Output ON Condition”

Dynamic TEACH and Adaptive Thresholds

- Teach on-the-fly
- Sets a single switching threshold (switching point)
- Threshold position is adjustable using “+” and “-” buttons (Manual Adjust)
- Recommended for applications where a machine or process may not be stopped for teaching.

Dynamic TEACH is a variation of two-point TEACH. It programs the sensor during actual machine run conditions, taking multiple samples of the light and dark conditions and automatically setting the threshold at the optimum level.

Dynamic TEACH activates the sensor’s adaptive threshold system, which continuously tracks minimum and maximum signal levels, and automatically maintains centering of the threshold between the light and dark conditions. The adaptive threshold system remains in effect during Run mode. The adaptive routine saves to non-volatile memory at least once per hour.



When Dynamic TEACH mode is used, the output ON state (Light or Dark Operate) will remain as it was last programmed. To change the output ON state, use Setup Mode.

The sensing threshold may be adjusted (fine-tuned) whenever the sensor is in RUN mode by clicking the “+” and “-” buttons. However, when a manual adjustment is made, the adaptive threshold system is disabled (cancelled).

Bar Graph LED (Following TEACH)	Relative Signal Difference/Recommendation
6 to 8	Excellent: Very stable operation.
4 to 5	Good: Minor variables will not affect sensing reliability.
2 to 3	Low: Minor sensing variables may affect sensing reliability.

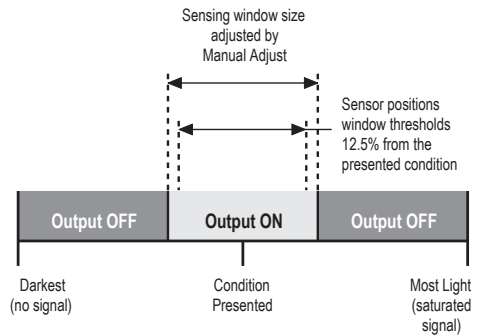
Bar Graph LED (Following TEACH)	Relative Signal Difference/Recommendation
1	Unreliable: Consider an alternate sensing scheme.

	Push Button	Remote Line	Result
Access Dynamic TEACH Mode	Press and hold Dynamic (+) push button for more than 2 seconds	Hold the remote line low (to ground) for more than 2 seconds	Power LED: OFF Output LED: OFF Bargraph: #7 and 8 alternately flash
TEACH Sensing Conditions	Continue to hold push button (+) and present the Output ON and OFF conditions	Continue to hold remote line low (to ground) and present the Output ON and OFF conditions	Power LED: OFF Output LED: OFF Bargraph: #7 and 8 alternately flash
Return to Run Mode	Release push button (+)	Release the remote line/switch	TEACH Accepted Power LED: ON Bargraph: One LED flashes to show relative contrast (good signal difference shown; see table above) Sensor returns to RUN mode with new settings
			TEACH Unacceptable Power LED: OFF Bargraph: #1, 3 and 5, 7 alternately flash to show failure Sensor returns to RUN mode without changing settings

Single-Point Window Set

- Sets a single ON condition that extends 12.5% above and below the taught condition.
- All other conditions (lighter or darker) result in OFF output
- Sensing window size (sensitivity) is adjustable using the “+” and “-” buttons (Manual Adjust)
- Recommended for applications where the target to be sensed may not always appear in the same place, or when other signals may appear.

Single-Point Set designates a sensing window, by setting two switching thresholds at 12.5% above and below the presented condition. The Output ON condition is inside the window, and the Output OFF conditions are outside the window when Light Operate is selected. Output ON and OFF conditions can be reversed by changing Light/Dark Operate status in Setup mode.



Single-Point Window Set and Manual Adjust

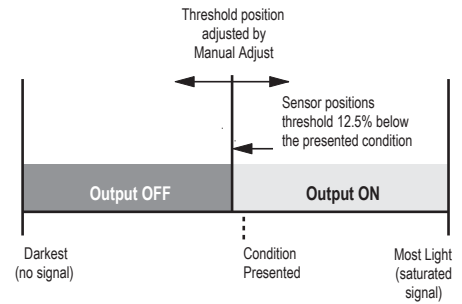
Using Manual Adjust with Single-Point Window Set expands or contracts the size of the window. The lighted LEDs on the light bar separate to a greater or lesser extent to exhibit the relative sensing window size.

	Push Button	Remote Line	Result
	0.04 seconds ≤ “Click” ≤ 0.8 seconds	0.04 seconds ≤ T ≤ 0.8 seconds	
Access Set Mode	Press and hold Static (-) push button for more than 2 seconds	Single-pulse the remote line	Power LED: OFF Output LED: ON (Push Button) Output LED: OFF (Remote) Bar graph: #5 and 6 alternately flash
Set Sensing Condition	Present the sensing condition and double-click the Static (-) push button	Present the sensing condition and double-pulse the remote line	Threshold Conditions Accepted Power LED: ON Bar graph: 2 indicators flash together to show the threshold conditions are accepted Sensor returns to RUN mode with new settings
			Threshold Conditions Unacceptable Power LED: OFF Bar graph: #1, 3 and 5, 7 alternately flash to show failure Sensor returns to “SET Sensing Condition”

Single-Point Light Set

- Sets a threshold 12.5% below the taught condition.
- Any condition darker than the threshold condition causes the output to change state.
- Threshold position is adjustable using the “+” and “-” buttons (Manual Adjust).
- Recommended for applications where only one condition is known, for example a stable light background with varying darker targets.

A single sensing condition is presented, and the sensor positions a threshold 12.5% below the presented condition. When a condition darker than the threshold is sensed, the output either turns ON or OFF, depending on the Light/Dark Operate setting (see [Setup Mode](#) on page 6).



Light Set and Light/Dark Operate Selection

In Light Operate mode, Light Set teaches the Output ON condition. In Dark Operate mode, Light Set teaches the Output OFF condition.

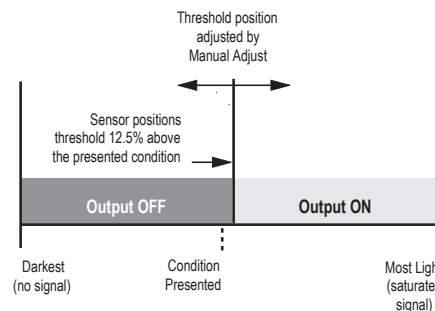
	Push Button	Remote Line	Result
	0.04 seconds ≤ “Click” ≤ 0.8 seconds	0.04 seconds ≤ T ≤ 0.8 seconds	
Access Set Mode	Press and hold Static (-) push button for more than 2 seconds	Single-pulse the remote line	Power LED: OFF Output LED: ON (Push Button) Output LED: OFF (Remote) Bar graph: #5 and 6 alternately flash
Set Sensing Condition	Present the sensing condition and click the Static (-) push button four times	Present the sensing condition and four-pulse the remote line	Threshold Condition Accepted Power LED: ON Bar graph: Indicators #5–8 flash together to show that the threshold condition is accepted Sensor returns to RUN mode with new settings

	Push Button	Remote Line	Result
	0.04 seconds ≤ “Click” ≤ 0.8 seconds	0.04 seconds ≤ T ≤ 0.8 seconds	
			Threshold Condition Unacceptable Power LED: OFF Bar graph: #1, 3 and 5, 7 alternately flash to show failure Sensor returns to “SET Sensing Condition”

Single-Point Dark Set

- Sets a threshold 12.5% above the taught condition.
- Any condition lighter than the threshold condition causes the output to change state.
- Threshold position is adjustable using the “+” and “-” buttons (Manual Adjust).
- Recommended for applications where only one condition is known, for example a stable dark background with varying lighter targets.

A single sensing condition is presented, and the sensor positions a threshold 12.5% above the taught condition. When a condition lighter than the threshold is sensed, the output either turns ON or OFF, depending on the Light/Dark Operate setting (see [Setup Mode](#) on page 6).



Dark Set and Light/Dark Operate Selection

In Light Operate mode, Dark Set teaches the Output OFF condition. In Dark Operate mode, Dark Set teaches the Output ON condition.

	Push Button	Remote Line	Result
	0.04 seconds ≤ “Click” ≤ 0.8 seconds	0.04 seconds ≤ T ≤ 0.8 seconds	
Access Set Mode	Press and hold the Static (-) push button for more than 2 seconds	Single-pulse remote line	Power LED: OFF Output LED: ON (Push Button) Output LED: OFF (Remote) Bar graph: #5 and 6 alternately flash
Set Sensing Condition	Present the sensing condition and click the Static (-) push button five times	Present the sensing condition and five-pulse the remote line	Threshold Condition Accepted Power LED: ON Bar graph: Indicators #1–4 flash together to show that the threshold condition is accepted Sensor returns to Run mode with new settings
			Threshold Condition Unacceptable Power LED: OFF Bar graph: #1, 3 and 5, 7 alternately flash to show failure Sensor returns to “Set Sensing Condition”

Setup Mode

Setup mode is used to change sensor output response for:

- Light or Dark operate
- 30-millisecond pulse stretcher (OFF delay), if required.
- 300 μs high-speed response

If Setup mode programming is interrupted and remains inactive for 60 seconds, the sensor returns to Run mode with the most recent settings (e.g., exits and saves current selection). Setup mode operates in the “background” while the outputs are active; changes are updated instantly.



	Push Button	Remote Line	Result
	0.04 seconds ≤ “Click” ≤ 0.8 seconds	0.04 seconds ≤ T ≤ 0.8 seconds	
Access Setup Mode	Press and hold both push buttons (+ and -) for more than 2 seconds	Double-pulse the remote line	Green Power LED turns OFF Output LED remains active Status indicators (bar graph #1–4) flash current setup
Select Setting Combination	Click either push button (+ or -) until the LEDs show the desired settings	Pulse the remote line until the LEDs show the desired settings. NOTE: Double-pulsing the remote line causes the setting to “back up” one step.	Sensor rotates through eight setting combinations, in the following order: 1. Normal Speed - No Delay - LO* 2. Normal Speed - No Delay - DO 3. Normal Speed - Delay - LO 4. Normal Speed - Delay - DO 5. High Speed - No Delay - LO 6. High Speed - No Delay - DO 7. High Speed - Delay - LO 8. High Speed - Delay - DO * Factory default setting
Return to Run Mode	Press and hold both push buttons (+ and -) for more than 2 seconds	Hold the remote line low for more than 2 seconds	Green Power LED turns ON Sensor returns to RUN mode with new settings

Manual Adjust

Manual Adjust is used during Run mode and is accomplished via the push buttons only. Its behavior depends on whether a switching threshold or a sensing window is used.

Switching Threshold:

- Fine-tunes sensing sensitivity
- Press “+” to increase; press “-” to decrease

Sensing Window:

- Adjusts sensing window size (tolerance) for the single-point target condition
- Press “+” to increase; press “-” to decrease

The lighted bargraph LEDs move to reflect the increase or decrease.

Enabling or Disabling the Push Button

In addition to its programming function, the remote line may be used to disable the push buttons for security. Disabling the push buttons prevents undesired tampering with the sensor configuration settings.

1. Connect the sensor’s gray wire.
2. Four-pulse the remote line to enable or disable the push button.

The sensor toggles between enable and disable settings and returns to RUN mode.

Bar Graph Indicator Functions

Run Mode. The lighted bar graph segment represents relative distance from the cutoff point. Its behavior depends on whether a sensing window or a sensing threshold is taught.

Sensing Window



More light
Signal intensity

↑

↓

Less light
Signal intensity

Switching Threshold



Specifications

General	Performance
<p>Sensing Beam 660 nm visible red</p> <p>Power Supply voltage: 10 to 30V dc (10% max. ripple) @ 25 mA max current, exclusive of load Supply protection circuitry: Protected against reverse polarity, over voltage, and transient voltages Delay at power-up: 250 ms; outputs do not conduct during this time</p> <p>Adjustments 2 push buttons and remote wire Easy push-button configuration; manually adjust (+/-) cutoff (push buttons only); Light Operate/Dark Operate and OFF-delay configuration options (push buttons only); Push-button lockout (from remote wire only)</p> <p>Indicators 8-segment red bar graph: distance relative to cutoff point Green LED: Power ON Yellow LED: Output conducting</p> <p>Construction ABS plastic housing; acrylic lens cover</p> <p>Connections 5-conductor 2 m (6.5 ft) PVC cable, 9 m (30 ft) PVC cable, or 5-pin integral Euro-style quick-disconnect fitting</p>	<p>Output Configuration Bipolar: 1 current sourcing (PNP) and 1 current sinking (NPN)</p> <p>Output Ratings 150 mA maximum load (derate ~ 1 mA/°C above 25 °C) OFF-state leakage current: < 50 µA at 30V dc ON-state saturation voltage (NPN): < 200 mV @ 10 mA; < 1V @ 150 mA ON-state saturation voltage (PNP): < 1.25V @ 10 mA; < 2V @ 150 mA</p> <p>Output Protection Protected against output short-circuit, continuous overload, transient over-voltages, and false pulse on power up</p> <p>Output Response Time High-Speed Mode: 300 microseconds Normal Mode: 1.8 ms</p> <p>Repeatability High-Speed Mode: 100 microseconds Normal Mode: 150 microseconds</p>

Environmental

Certifications

Rating

IP67, NEMA 6

Operating Conditions

Temperature: -10 to +55 °C (+14 to 122 °F)

Max. relative humidity: 90% @ 55 °C (non-condensing)

Vibration and Mechanical Shock

All models meet Mil. Std. 202F requirements. Method 201A (Vibration: 10 to 60 Hz max. double amplitude 0.06", maximum acceleration 10G). Also meets IEC 947-5-2 requirements: 30G, 11 ms duration, half sine wave.



Performance Curves

Performance curves are based on the use of a 90% reflectance white test card.

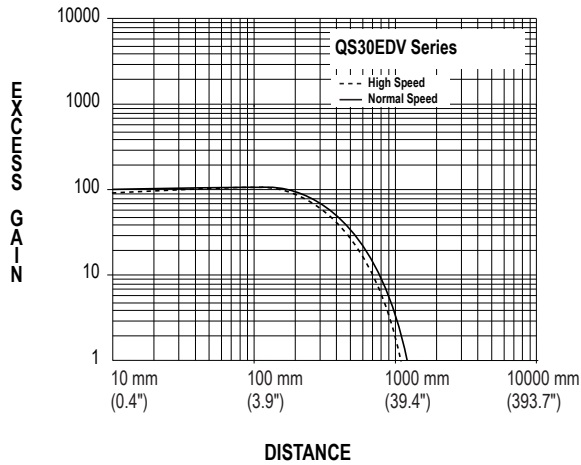


Figure 1. Excess Gain Curve

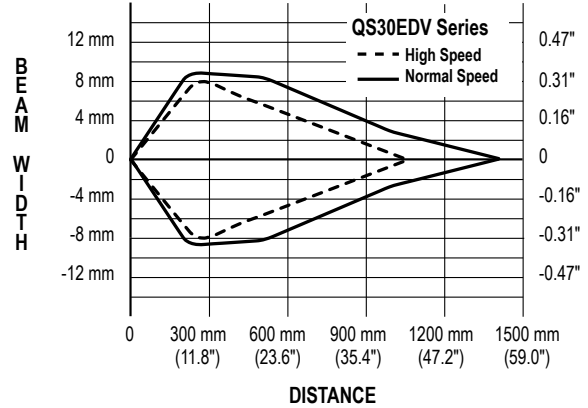
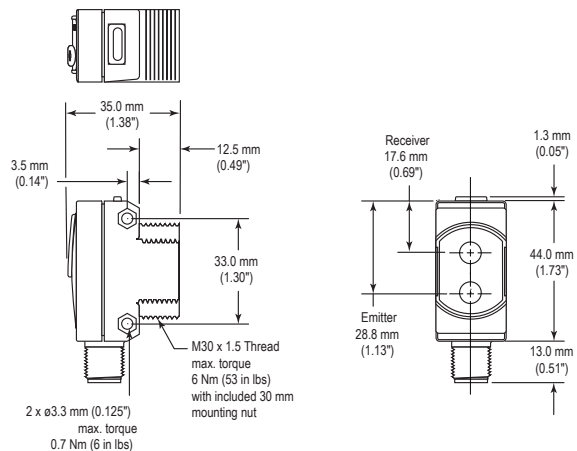
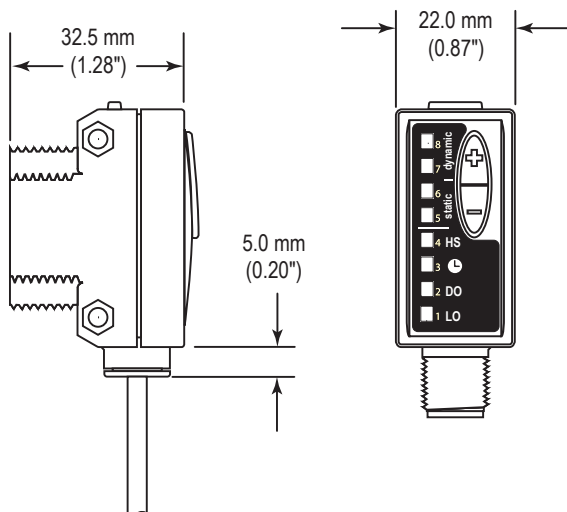


Figure 2. Beam Pattern

Dimensions

Cabled Models

QD Models



Cabled Models

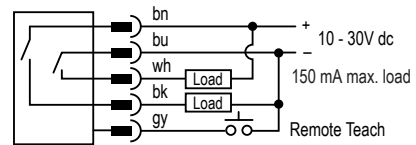
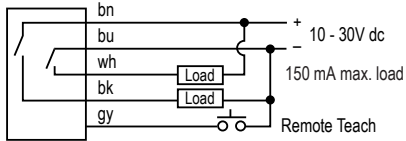
QD Models

Hardware included: (10) M3 x 0.5 x 28 stainless steel machine screws, nuts and washers

Hookups

Cabled Models

QD Models




Accessories

5-Pin Threaded M12/Euro-Style Cordsets (Single Ended)				
Model	Length	Style	Dimensions	Pinout (Female)
MQDC1-501.5	0.50 m (1.5 ft)	Straight		<p>1 = Brown 2 = White 3 = Blue 4 = Black 5 = Gray</p>
MQDC1-506	1.83 m (6 ft)			
MQDC1-515	4.57 m (15 ft)			
MQDC1-530	9.14 m (30 ft)			
MQDC1-506RA	1.83 m (6 ft)	Right-Angle		
MQDC1-515RA	4.57 m (15 ft)			
MQDC1-530RA	9.14 m (30 ft)			

Brackets

<p>SMBQS30L</p> <ul style="list-style-type: none"> • Right-angle bracket for cable sensor models • Clearance for M4 (#8) hardware • ± 12° tilt adjustment • 14-ga. stainless steel <p>Hole center spacing: A to B=35.0 Hole size: A=ø 4.3, B=ø 4.25x16.3</p>	<p>SMBQS30LT</p> <ul style="list-style-type: none"> • Tall right-angle bracket for QD models • ± 8° tilt adjustment • 14-ga. stainless steel <p>Hole center spacing: A to B=35.0 Hole size: A=ø 4.3, B=ø 4.25x16.3</p>
SMBQS30Y	SMBQS30YL

Brackets	
<ul style="list-style-type: none"> • Heavy-duty die-cast bracket • M18 vertical mount option • $\pm 8^\circ$ tilt adjustment with cabled units • Includes nuts and lock washer <div style="text-align: center;">  </div> <p>Hole size: A=Ø 15.3</p>	<ul style="list-style-type: none"> • Heavy-duty die-cast bracket designed for industrial protection • M18 vertical mount option • Replaceable window • Includes nuts and lock washer <p>Hole size: A=Ø 15.3</p>
<p>Other compatible mounting brackets include: SMB30MM, SMB30SC, and SMB30A</p>	

Banner Engineering Corp Limited Warranty

Banner Engineering Corp. warrants its products to be free from defects in material and workmanship for one year following the date of shipment. Banner Engineering Corp. will repair or replace, free of charge, any product of its manufacture which, at the time it is returned to the factory, is found to have been defective during the warranty period. This warranty does not cover damage or liability for misuse, abuse, or the improper application or installation of the Banner product.

THIS LIMITED WARRANTY IS EXCLUSIVE AND IN LIEU OF ALL OTHER WARRANTIES WHETHER EXPRESS OR IMPLIED (INCLUDING, WITHOUT LIMITATION, ANY WARRANTY OF MERCHANTABILITY OR FITNESS FOR A PARTICULAR PURPOSE), AND WHETHER ARISING UNDER COURSE OF PERFORMANCE, COURSE OF DEALING OR TRADE USAGE.

This Warranty is exclusive and limited to repair or, at the discretion of Banner Engineering Corp., replacement. **IN NO EVENT SHALL BANNER ENGINEERING CORP. BE LIABLE TO BUYER OR ANY OTHER PERSON OR ENTITY FOR ANY EXTRA COSTS, EXPENSES, LOSSES, LOSS OF PROFITS, OR ANY INCIDENTAL, CONSEQUENTIAL OR SPECIAL DAMAGES RESULTING FROM ANY PRODUCT DEFECT OR FROM THE USE OR INABILITY TO USE THE PRODUCT, WHETHER ARISING IN CONTRACT OR WARRANTY, STATUTE, TORT, STRICT LIABILITY, NEGLIGENCE, OR OTHERWISE.**

Banner Engineering Corp. reserves the right to change, modify or improve the design of the product without assuming any obligations or liabilities relating to any product previously manufactured by Banner Engineering Corp.



X-ON Electronics

Largest Supplier of Electrical and Electronic Components

Click to view similar products for [Banner manufacturer](#):

Other Similar products are found below :

[Q45VR2FPQ](#) [BTA23S](#) [L16F](#) [2LM3](#) [2PBA](#) [LM8-1](#) [LMT](#) [SM312CV](#) [SM31RQD](#) [LS4ELQ](#) [FX1](#) [Q45BB6LLQ](#) [D12SP6FP](#) [MBCC-412](#)
[BA23S](#) [BT21S](#) [BTA13S](#) [LM4-2](#) [T183E](#) [TL50GYR](#) [SM312DQDP-68020](#) [SLSP30-600Q88](#) [SLSP30-1200Q88](#) [OTC-1-YW](#) [OPBA5](#) [PBAT](#)
[SBLV1](#) [SMA91EQD](#) [SMA91E](#) [SMA912LVQD](#) [SMA912DQD](#) [SM2A312CVQD](#) [SM2A912LVQD](#) [SM312F](#) [SM31RL](#) [Q60BB6AFV1000Q](#)
[TL70GYRAQ](#) [TL70RQ](#) [SM312FMHSQD](#) [SM312W](#) [MMD-TA-11B](#) [LED70X70-78587](#) [T18-2VNDL-Q8](#) [T18-2VPFF200-Q8](#) [T18-](#)
[2VPLP-Q8](#) [SLC4P14-160P44](#) [SLC4P24-160P44](#) [SLLP14-1190P88](#) [SM312CUQD](#) [BR-2](#)