

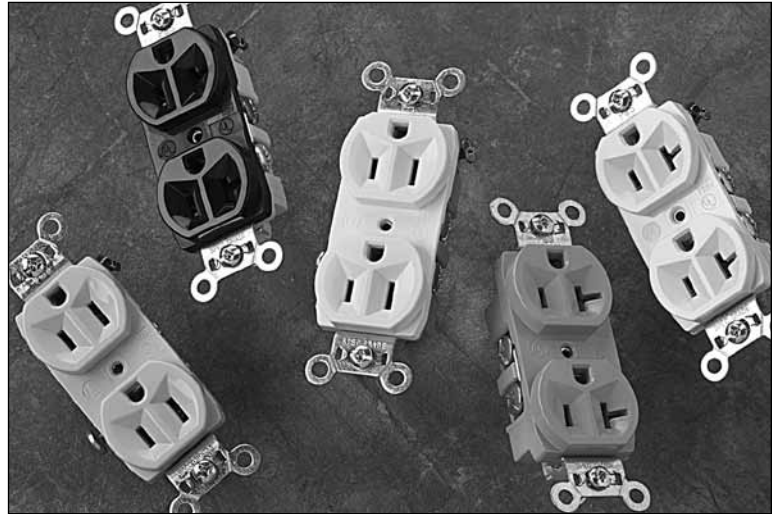


PASS & SEYMOUR® Commercial Specification Grade Straight Blade Receptacles 15 & 20A, 125V

CR15, CR20

The standard for commercial receptacles

Plated, corrosion-resistant straps, rugged nylon faces, and triple-wipe power contacts mean these receptacles will ensure consistent performance. Tri-drive, backed-out terminal screws save installation time.



FEATURES & BENEFITS

.032 inch thick, brass, triple-wipe power contacts for lasting retention.

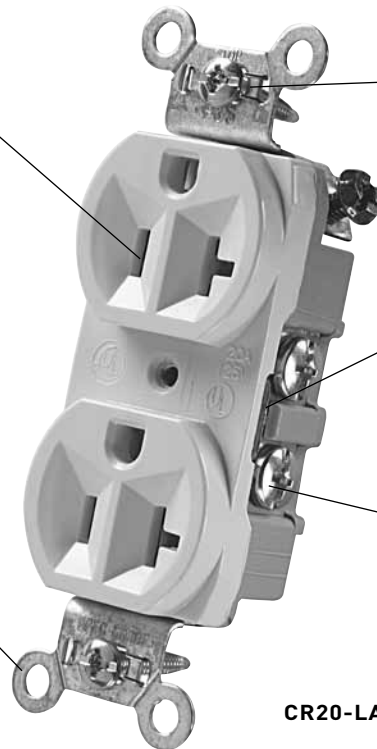
Two drive screws anchor strap to back body and face where abrupt removal torque is strongest.

Corrosion-resistant, plated steel strap locked in to face and back body to resist pulling away from face/body assembly.

Auto-ground eliminates the necessity to terminate grounding conductor to device.

Easily accessed break-off, line-contact connecting tab for fast, easy split-circuit wiring.

Tri-drive steel terminal screws. Side wire capability.



CR20-LA

FIELD USES/VERTICAL MARKETS

- Retail
- Office
- Hospitality/Lodging
- Multiple Dwelling



PASS & SEYMOUR®

Commercial Specification Grade

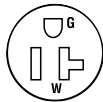
Straight Blade Receptacles 15 & 20A, 125V

ORDERING INFORMATION

Catalog Number	Rating A	V	Color	NEMA Configuration No.
Duplex Receptacles Side Wire				
CR15-I	15	125	Ivory	5-15R
CR15-W	15	125	White	5-15R
CR15	15	125	Brown	5-15R
CR15-GRY	15	125	Gray	5-15R
CR15-LA	15	125	Light Almond	5-15R
CR20-I	20	125	Ivory	5-20R
CR20-W	20	125	White	5-20R
CR20	20	125	Brown	5-20R
CR20-GRY	20	125	Gray	5-20R
CR20-BK	20	125	Black	5-20R
CR20-LA	20	125	Light Almond	5-20R



NEMA
5-15R



NEMA
5-20R

For more information on these and other P&S products refer to our Catalog or visit our web site.

PASS & SEYMOUR®

Commercial Specification Grade Straight Blade Receptacles 15 & 20A, 125V



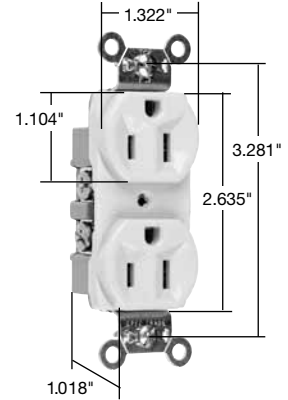
TECHNICAL SPECIFICATIONS

3rd Party Compliance

UL Listed, File Number E140596, Standard UL498.
CSA Certified, File Number LR16063, Standard CSA-C22.2 No. 42.

Performance

Electrical	
Dielectric Voltage	Withstands 1500V minimum
Maximum Working Voltage	125V
Maximum Continuous Current	15A – CR15; 20A – CR20
Temperature Rise	Maximum 30°C after 50 cycles at 150% of rated current
Mechanical	
Terminal Accommodation	#14 AWG - #10 AWG
Product Identification	Amperage, Voltage, 3rd Party Compliance.
Environmental	
Flammability	UL94 V2
Operating Temperature	Maximum continuous +50°C, minimum -40°C without impact



**Dimensions for
15 & 20 Amp**

Materials

Face	Nylon	Terminal Screws	#8 Tri-Drive Steel (Neutral = Nickel Plated Steel)
Back Body	PVC	Ground Screws	#8 Hex Tri-Drive Steel
Line Contacts	.032 260 Brass	Assembly Drive Screw	Zinc-Plated Steel
Mounting Strap	.042 Zinc-Plated Steel	Auto-Ground Clip	Stainless Steel
Ground Contact	.040 260 Brass	Mounting Screws	Tri-Drive Steel

Warranty

1 Year

For more information on these and other P&S products refer to our Catalog or visit our web site.

ALSO AVAILABLE...

- GFCIs
- Hospital Grade Devices
- PlugTail™ Devices
- SPD & Isolated Ground Devices
- Ground Continuity Monitoring (GCM)
- Straight Blade Plugs & Connectors
- USB Charging Devices
- Turnlok® Locking Devices
- Weatherproof Boxes & Covers
- PlugTail™ Devices
- IEC 309 Industrial Products
- Flexcor® Wire Mesh Grips
- Wall Plates



Electrical Wiring Systems

P.O. Box 4822
Syracuse, NY 13221-4822
Phone: 1.800.776.4035
www.legrand.us/passandseymour

570 Applewood Crescent
Vaughan, Ontario L4K 4B4
Phone: 905.738.9195
www.legrand.ca



X-ON Electronics

Largest Supplier of Electrical and Electronic Components

Click to view similar products for [Legrand](#) manufacturer:

Other Similar products are found below :

[CTX3 3P 18A 1NO1NC 24V DC G382](#) [MPX3 32H 11-17A](#) [MPX3 32H 22-32A](#) [MPX3 32H 4-6A](#) [MPX3 32H 6-10A](#) [MPX3 63H 11-17A](#)
[MPX3 63H 28-40A](#) [S 303 B40 TX](#) [S 303 B63 TX](#) [T1+T2 8/50 4P](#) [FR 304 40](#) [RC302](#) [RC312](#) [M 250 6.3](#) [CTX3 3P 32A 2NO2NC 230V AC](#)
[WZ 301](#) [LP 452](#) [MPX3 32H 0.1-0.16A](#) [MPX3 32H 0.16-0.25A](#) [MPX3 32H 1.6-2.5A](#) [MPX3 32H 18-26A](#) [MPX3 32H 2.5-4.0A](#) [MPX3 32H 5-](#)
[8A](#) [MPX3 32H 9-13A](#) [MPX3 63H 34-50A](#) [MPX3 63H 6-10A](#) [S 303 B6 TX](#) [SM 363 230V 4NO](#) [PB 441](#) [WS 312](#) [S 301 B13 TX](#) [S 301 C63](#)
[TX](#) [FR 301 32](#) [S 302 C4 TX](#) [S 301N C40 DX](#) [S 312 C32 DX](#) [P 304 100-300-A DX](#) [SM 425 230V 4NC](#) [CTX3 3P 22A 1NO1NC 48V AC](#)
[PTTR20HACUSBGRY](#) [RDSZBK](#) [RDSZNI](#) [RDSZWH](#) [RDZWH](#) [WSPCBKTBK](#) [WSPC320BK](#) [003840](#) [CTX3 MINI 3P 16A 1NC 230VAC](#)
[FR 304 63](#)