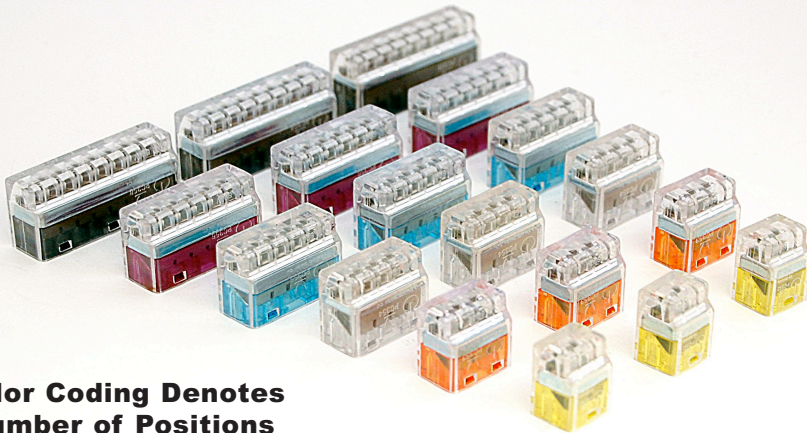


BlockMaster Electronics'

Clear Connects Push-In Wire Connectors

The 21st Century Improvement on the Wire Nut!



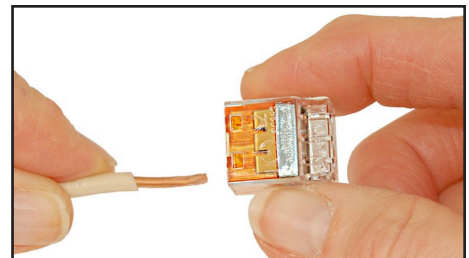
Color Coding Denotes
Number of Positions

FASTER & SAFER:
***No More
Twisting or Taping!***

Transparent,
color-coded, reusable
and easy to use,
Clear Connects provide
visual confirmation for a
perfect connection
every time!

Features:

- Color-coded for easy identification; color indicates number of positions
- Touch-Safe; wires are safely shrouded by connector housing
- Clear housing provides visual confirmation and individually held wires eliminate loose connections
- Built-in strip guide shows how much wire to strip
- Made with highly conductive copper
- Accepts solid and tinned stranded wire 22-12AWG
- Safer and easier than traditional wire nuts
- Greatly reduces wiring time; no more twisting or taping!
- Compact size; enables perfect connections in tight spaces
- OSHA-recommended to reduce wrist and hand strain
- Can be reused with wires larger than the ones previously used
- Test slot provides convenient access for circuit testing
- Multiple international and domestic agency approvals, including UL and CUL



Removal Instructions:

Solid wire: Twist and remove wire, reuse Clear Connects with larger wire than previously used
Stranded Wire: Cut wire, discard Clear Connects

Specifications:

Wire Range: 12-22AWG

Voltage:
VDE-AC, DC, 450V; UL-600V

Current: VDE-24A

Rated Voltage:
600V for Building Wiring
1000V for Lighting
Fixtures

Temperature:
VDE-110C, UL-105C

Housing:
Polycarbonate, Flame-
Retardant to UL 94V2

Working Temp:
105C/221F (UL)

Clamp Unit:
Copper, Tin-Plated; Stainless
Steel Spring; Zinc-Plated Steel
Frame

Glow Wire Test: VDE-850C

Wire Stripping Length:
11mm/0.4 inches

UL Approved

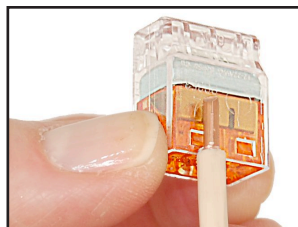
Patent: US 7255592

Applications:

- OEM lighting manufacturing
- Appliances
- Junction boxes
- Control panels
- Security/alarm systems
- Prefabricated wiring systems
- Lighting retrofit
- Heating elements
- Motor leads



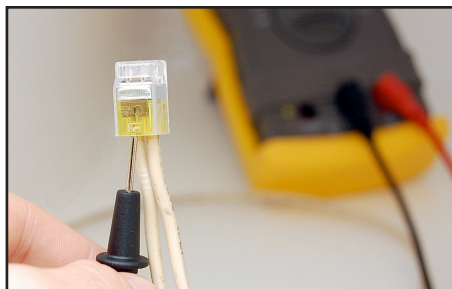
WPC352: Yellow
2 Positions



Strip Guide Provides
Proper Strip Length



WPC355: Blue
5 Positions

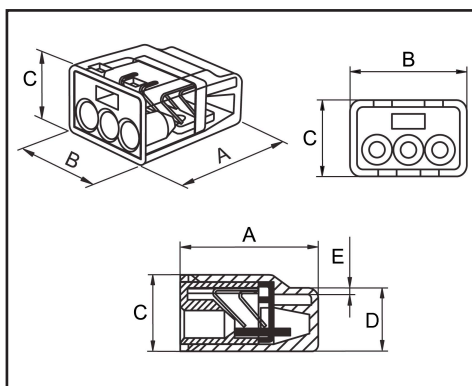


Built-in test slot provides
access for circuit testing



Perfect for lighting fixtures
and other indoor applications

Part #	Color	Poles	Unit	A	B	C	D	E
WPC 352	Yellow	2	mm.	19.00	11.75	10.45	8.70	0.90
			in.	0.748	0.463	0.411	0.343	0.035
WPC 353	Orange	3	mm.	19.00	15.90	10.45	8.70	0.90
			in.	0.748	0.626	0.411	0.343	0.035
WPC 354	Clear	4	mm.	19.00	20.05	10.45	8.70	0.90
			in.	0.748	0.789	0.411	0.343	0.035
WPC 355	Blue	5	mm.	19.00	24.20	10.45	8.70	0.90
			in.	0.748	0.953	0.411	0.343	0.035
WPC 356	Purple	6	mm.	19.00	28.35	10.45	8.70	0.90
			in.	0.748	1.116	0.411	0.343	0.035
WPC 358	Black	8	mm.	19.00	36.65	10.45	8.70	0.90
			in.	0.748	1.443	0.411	0.343	0.035



Clear Connects
are approved by
many international
and domestic
agencies, including:

**VDE, FIMKO,
DEMKO, KEMA,
NEMKO, SEMKO,
cULus, CE, UL**

X-ON Electronics

Largest Supplier of Electrical and Electronic Components

Click to view similar products for [Blockmaster](#) manufacturer:

Other Similar products are found below :

[OTB-388-03P-C](#) [OTB-359N-02P-C](#) [OT-016-M5-L8](#) [HP-ATB-175-5-3P](#) [OTB-358N-06P-C](#) [HP-ATB-175-4-3P](#) [HP-AT-101-1-2P](#) [OTB-351-03P-C](#) [OTB-388-04P-C](#) [OP-487-M6](#) [HP-AT-101-1-3P](#) [HB951-23P](#) [OTB-351-12P-C](#) [OTB-330N-03P-C](#) [OTB-351-05P-C](#) [OTB-388-02P-C](#) [OP-055-M5-L1](#) [OT-201-M8](#) [OP-075-M5](#) [OT-047-M4](#) [675-303/920](#) [OT-048-M5](#) [PSM020H5](#) [MSB03005](#) [KS-03](#) [HI-205-07PH-C](#) [675-102/0](#)
[675-302/0](#)